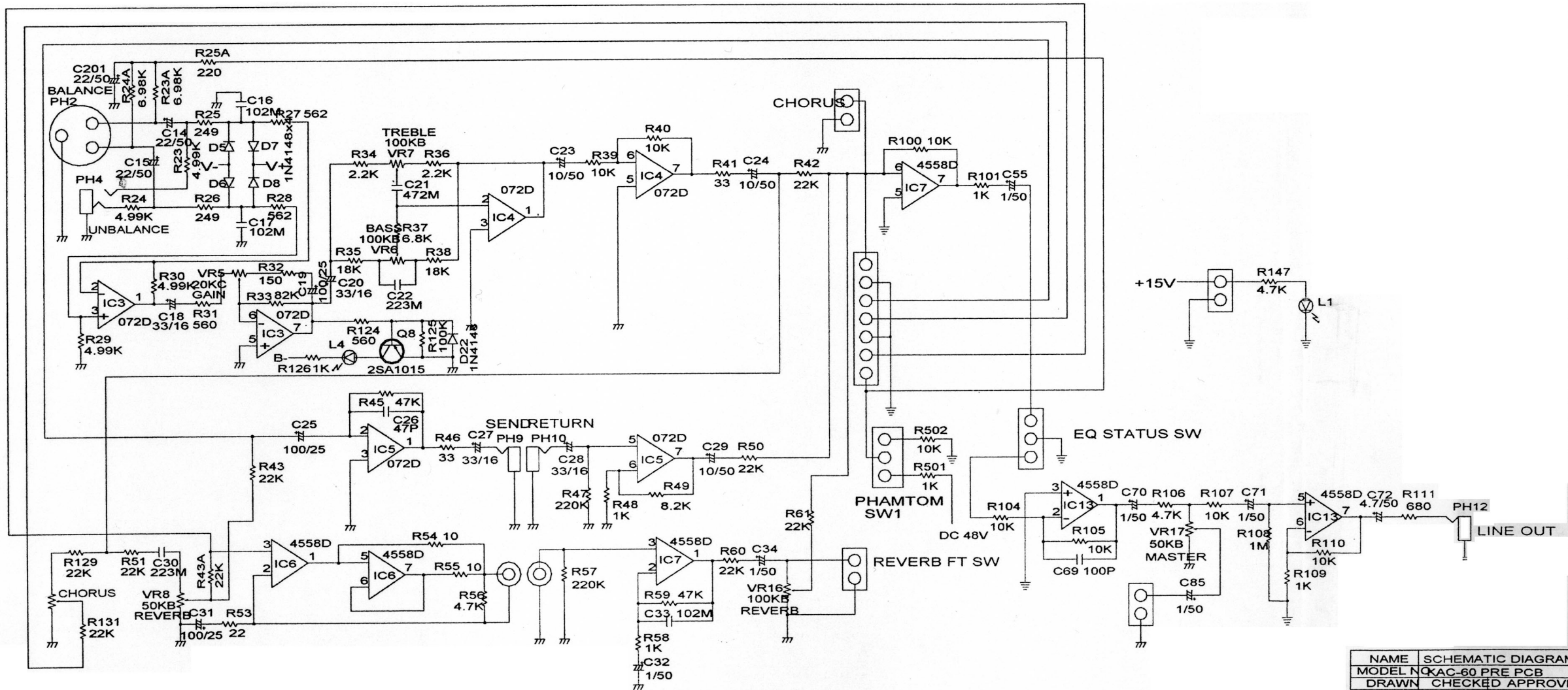


SCHEMATIC DIAGRAM KAC-60 INPUT CHANNELS



NAME	SCHEMATIC DIAGRAM
MODEL NO	KAC-60 PRE PCB
DRAWN	CHECKED APPROVED