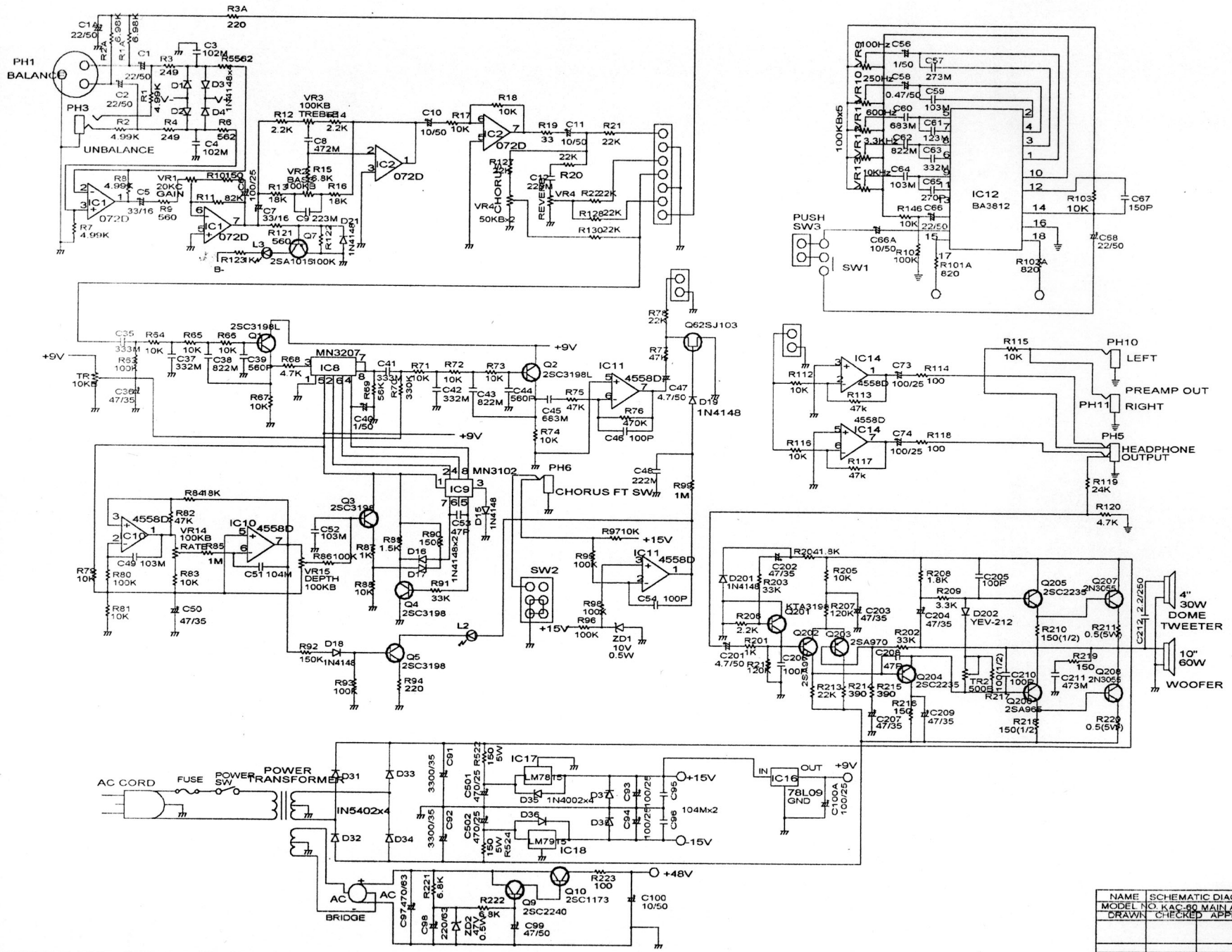


SCHEMATIC DIAGRAM KAC-60 MASTER/OUTPUT CHANNELS



NAME	SCHEMATIC DIAGRAM		
MODEL NO. KAC-60 MAIN AMP			
DRAWN	CHECKED	APPROVED	