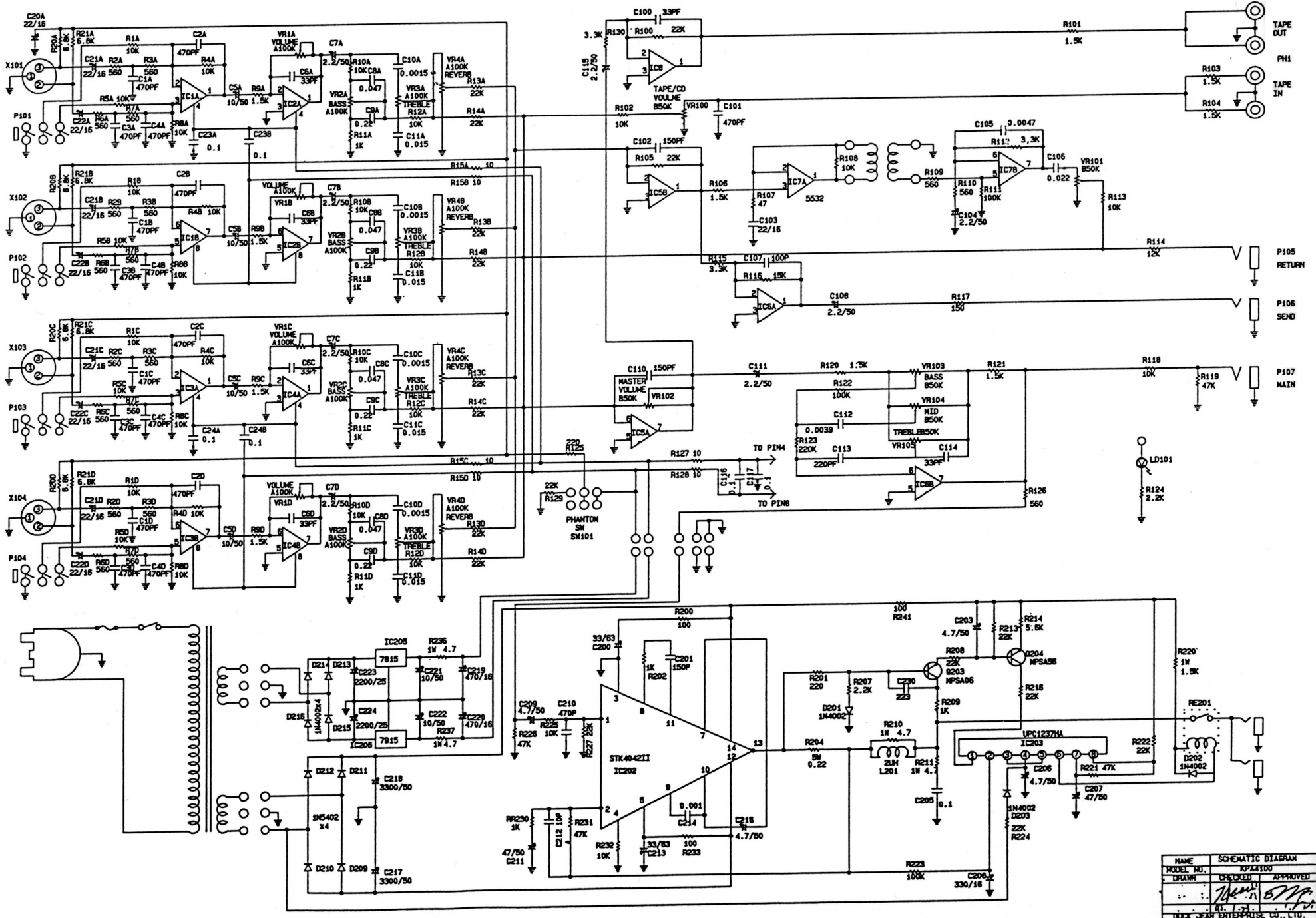


SCHEMATIC DIAGRAM KPA4100



NAME	SCHEMATIC DIAGRAM
MODEL NO.	KPA4100
DRAWN	CHECKED
APPROVED	
BY: <i>[Signature]</i> DATE: 11/12/12	
LUCK JEAN ENTERPRISE CO., LTD.	