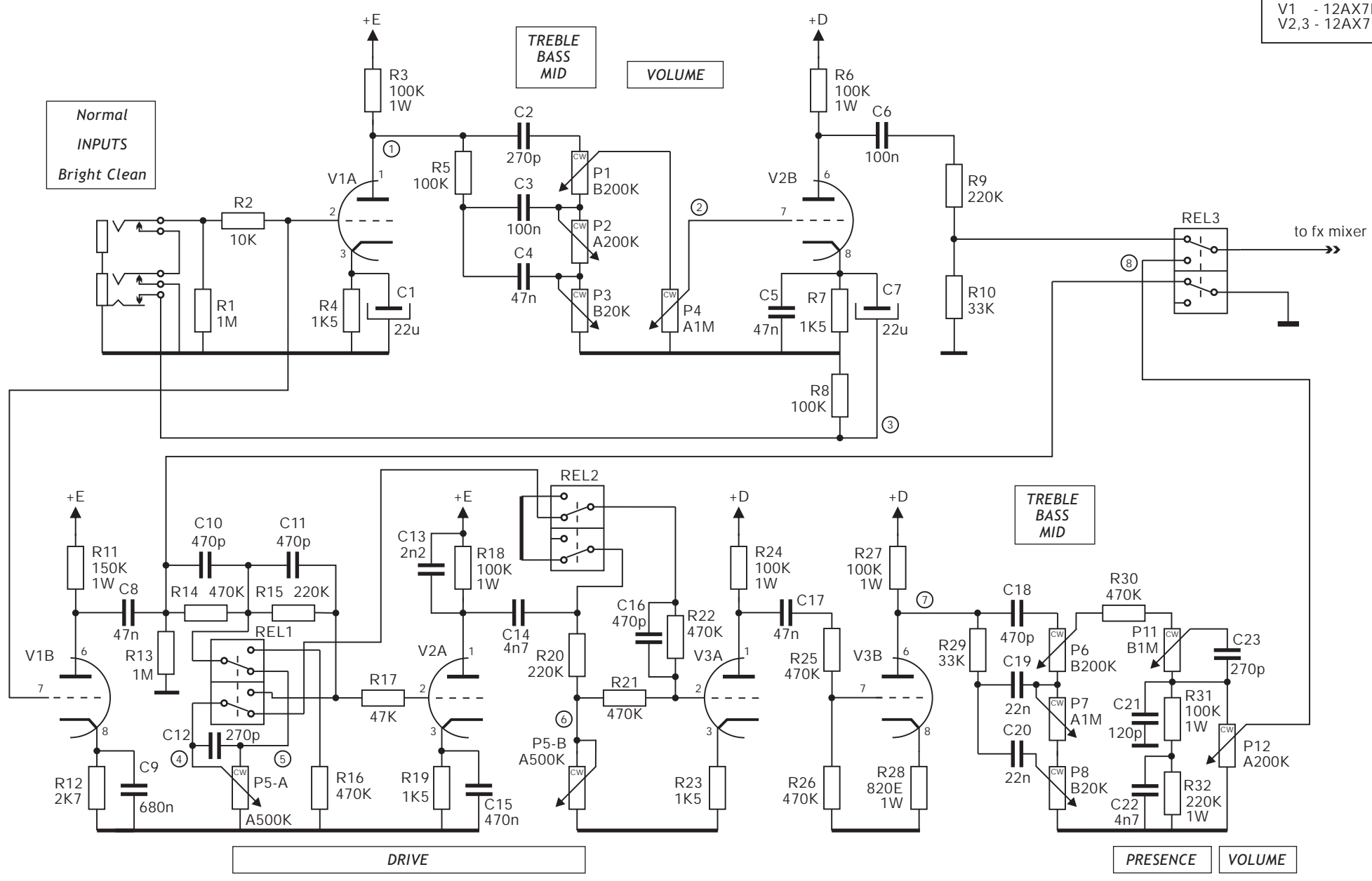


V1 - 12AX7LM  
V2,3 - 12AX7

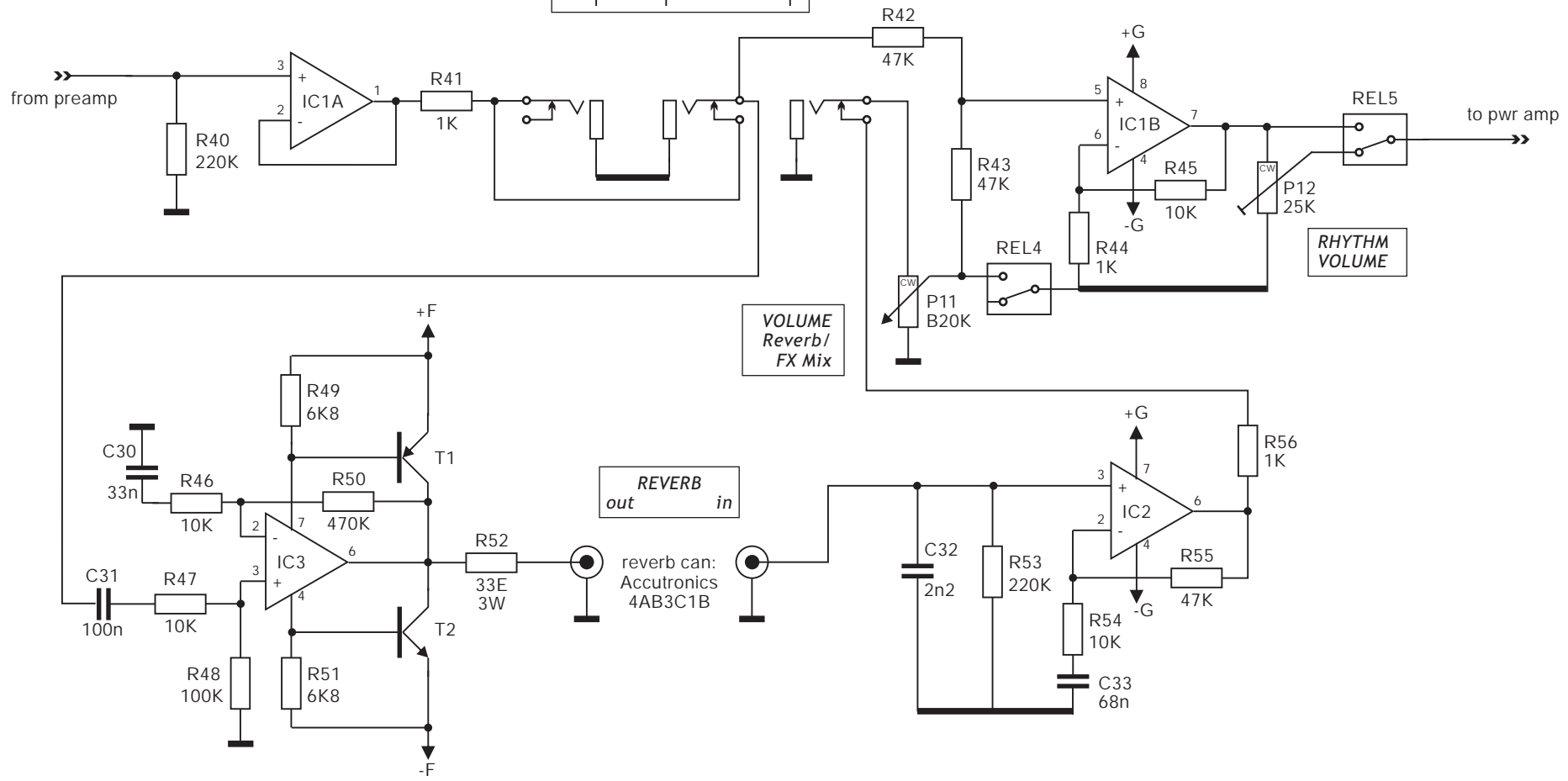
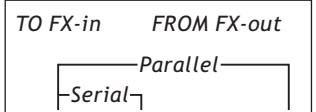


**KOCH**  
**GUITAR ELECTRONICS**  
Amersfoort  
The Netherlands

© Copyright 2005, Koch Guitar Electronics

DRAWN: Dolf Koch	DATE: 25-07-2005	<b>TWINTONE II</b>	MARK 2.0
SERIAL NRS: x1434 - x3070		PRE-AMP	PAGE: 1 of 5

- IC1 - OP249
- IC2 - TL071
- IC3 - TL061
- T1 - BD136
- T2 - BD135



**KOCH**  
**GUITAR ELECTRONICS**  
 Amersfoort  
 The Netherlands

© Copyright 2005, Koch Guitar Electronics

DRAWN:  
Dolf Koch

DATE:  
25-07-2005

**TWINTONE II**

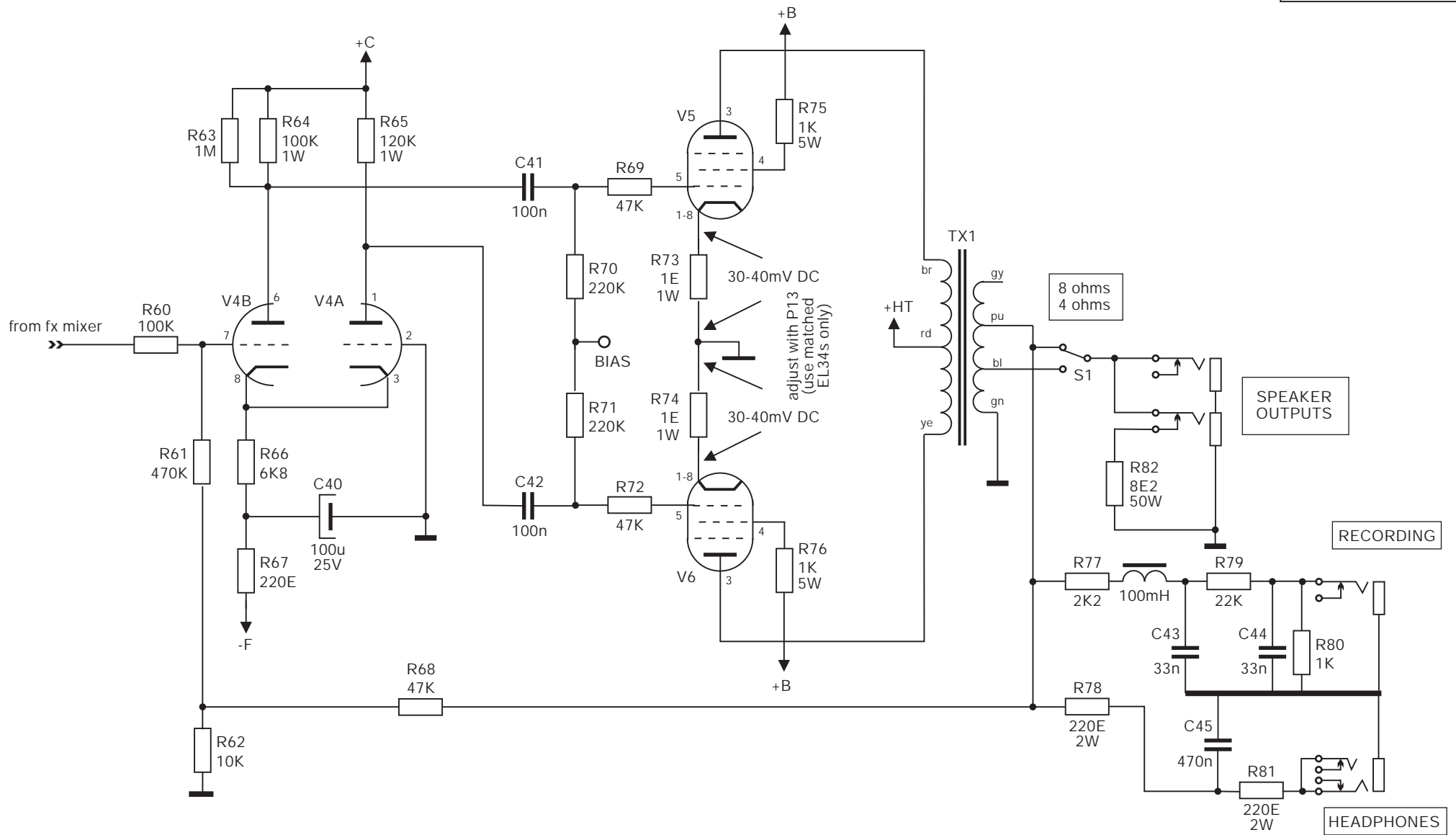
MARK  
2.0

SERIAL NRS:  
x1434 - x3070

FX MIXER

PAGE:  
2 of 5

V4 - 12AX7  
 V5,6 - EL34  
 TX1 - VDV-G50



**KOCH**  
**GUITAR ELECTRONICS**  
 Amersfoort  
 The Netherlands

© Copyright 2005, Koch Guitar Electronics

DRAWN:  
 Dolf Koch

DATE:  
 25-07-2005

**TWINTONE II**

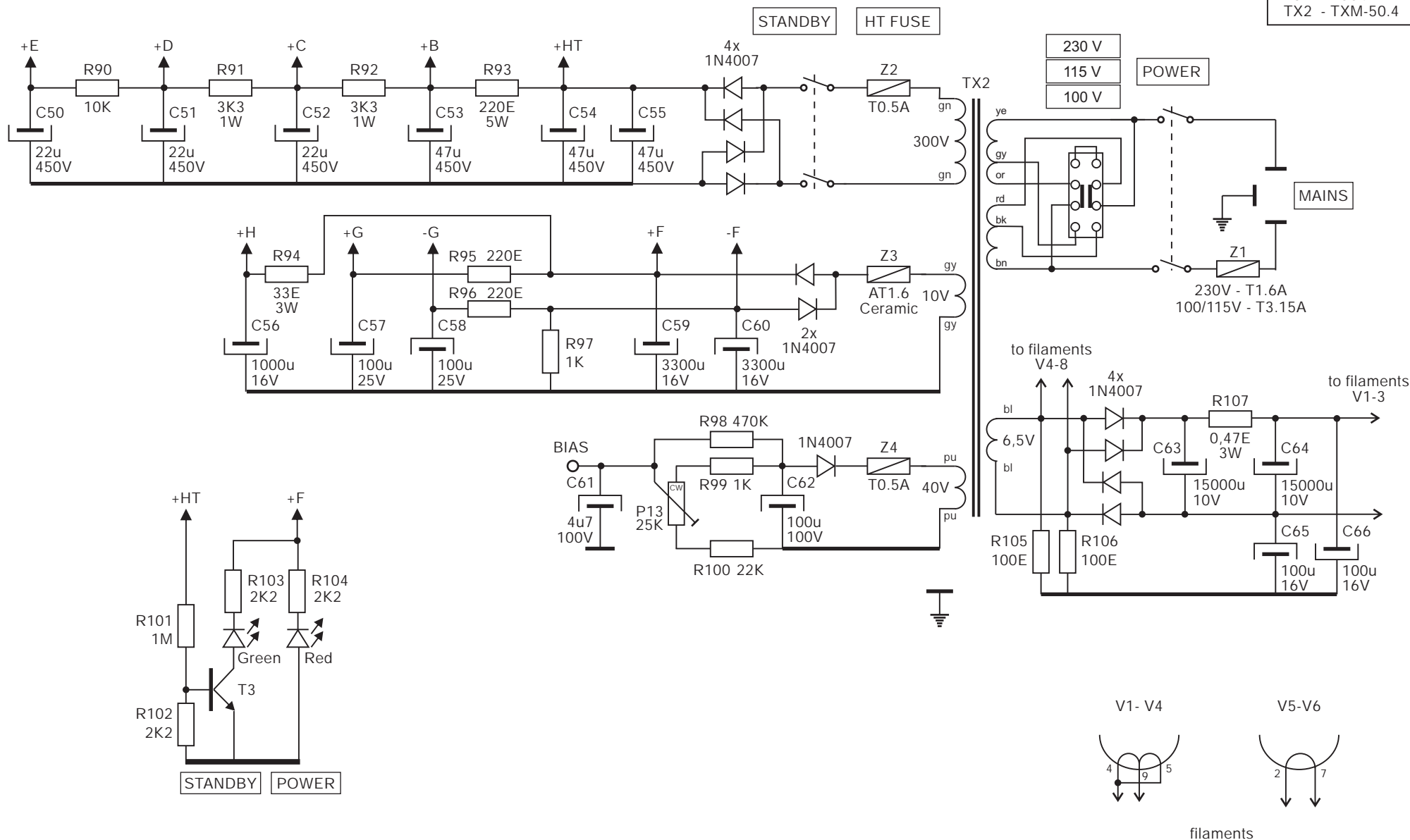
MARK  
 2.0

SERIAL NRS:  
 x1434 - x3070

POWER AMP

PAGE:  
 3 of 5

T3 - BC547  
TX2 - TXM-50.4



**KOCH**  
**GUITAR ELECTRONICS**  
Amersfoort  
The Netherlands

© Copyright 2005, Koch Guitar Electronics

DRAWN:  
Dolf Koch

DATE:  
25-07-2005

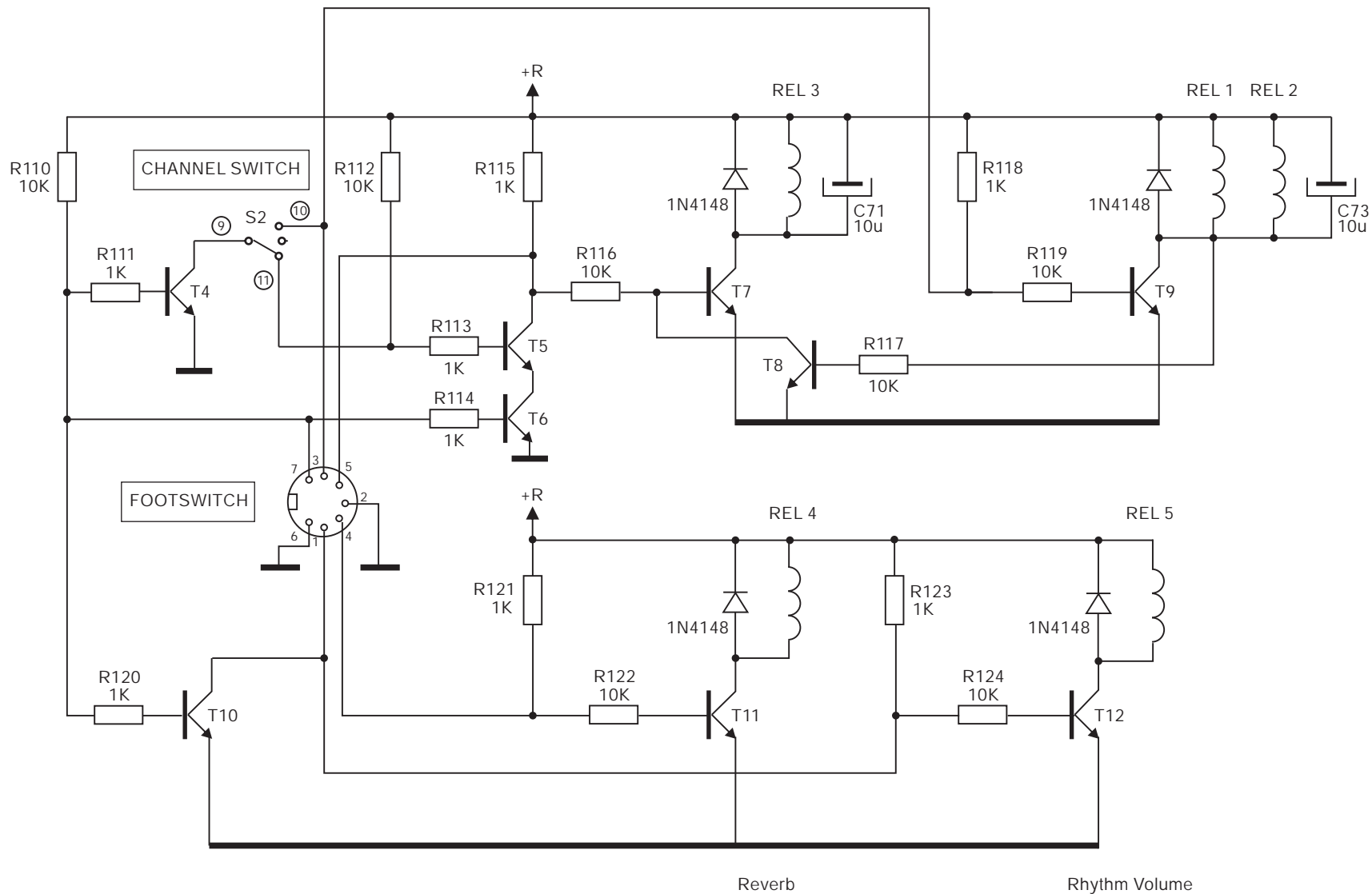
**TWINTONE II**

MARK  
2.0

SERIAL NRS:  
x1434 - x3070

POWER SUPPLY

PAGE:  
4 of 5



**KOCH**  
**GUITAR ELECTRONICS**  
 Amersfoort  
 The Netherlands

© Copyright 2005, Koch Guitar Electronics

DRAWN:  
 Dolf Koch

DATE:  
 25-07-2005

**TWINTONE II**

MARK  
 2.0

SERIAL NRS:  
 x1434 - x3070

LOGIC

PAGE:  
 5 of 5