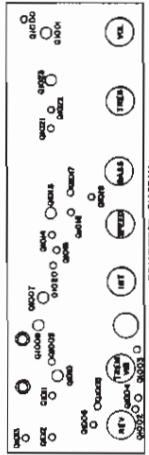
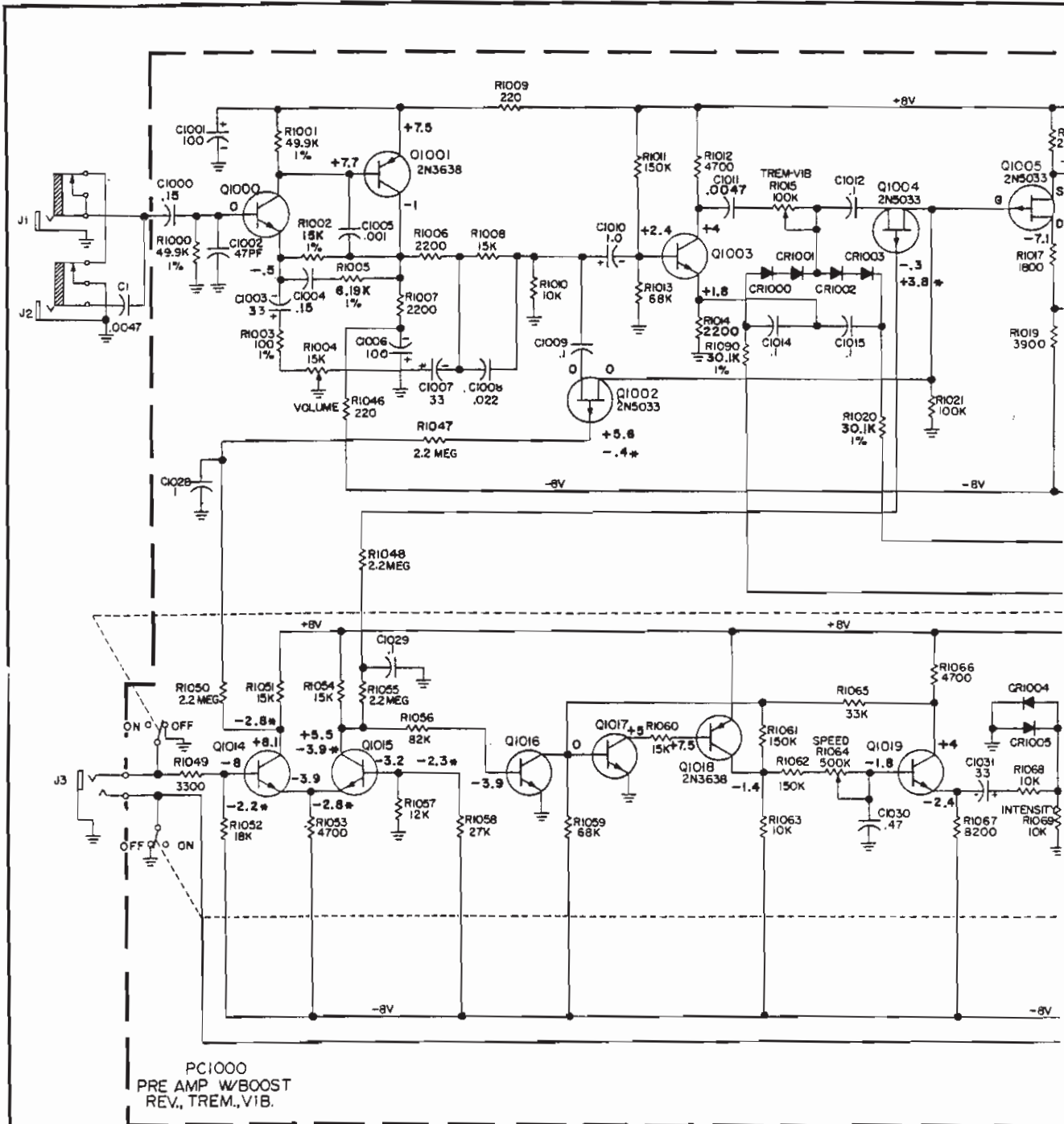


Raytheon

PC1000
PRE-AMP W/BOOST
REV. TREM. VIB.

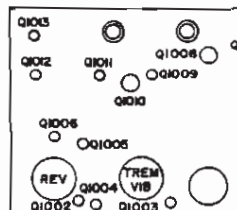
- NOTES
- RESISTORS ARE 5% UNLESS NOTED.
 - ALL CAPACITOR VALUES ARE IN MICROFARADS, UNLESS NOTED.
 - ALL TRANSISTORS ARE 6N6 OR 6N603 UNLESS NOTED.
 - ALL CONTROLS FULL ON, ALL CONTROLS FULL OFF, NO SIGNAL, 8 NO LOAD.
 - ALL DIODES ARE 1N41.
 - WHEN BOARDS ARE REMOVED FROM CHASSIS FOR SERVICE, ALL BROWNS MUST BE TIED TOGETHER IN OFF POSITION.
 - VOLTAGES ARE WITH POWER ON, ALL CONTROLS FULL ON, NO SIGNAL, NO LOAD AND MEASURED FROM COMMON GROUND.

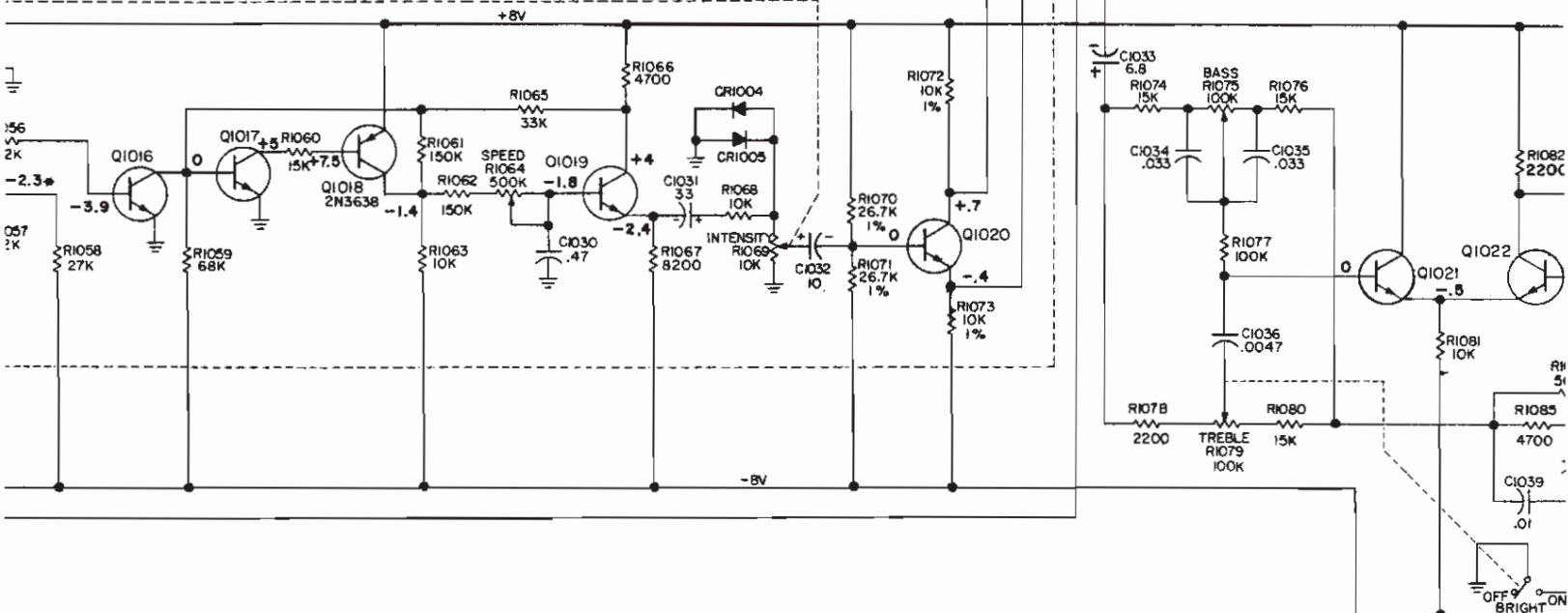
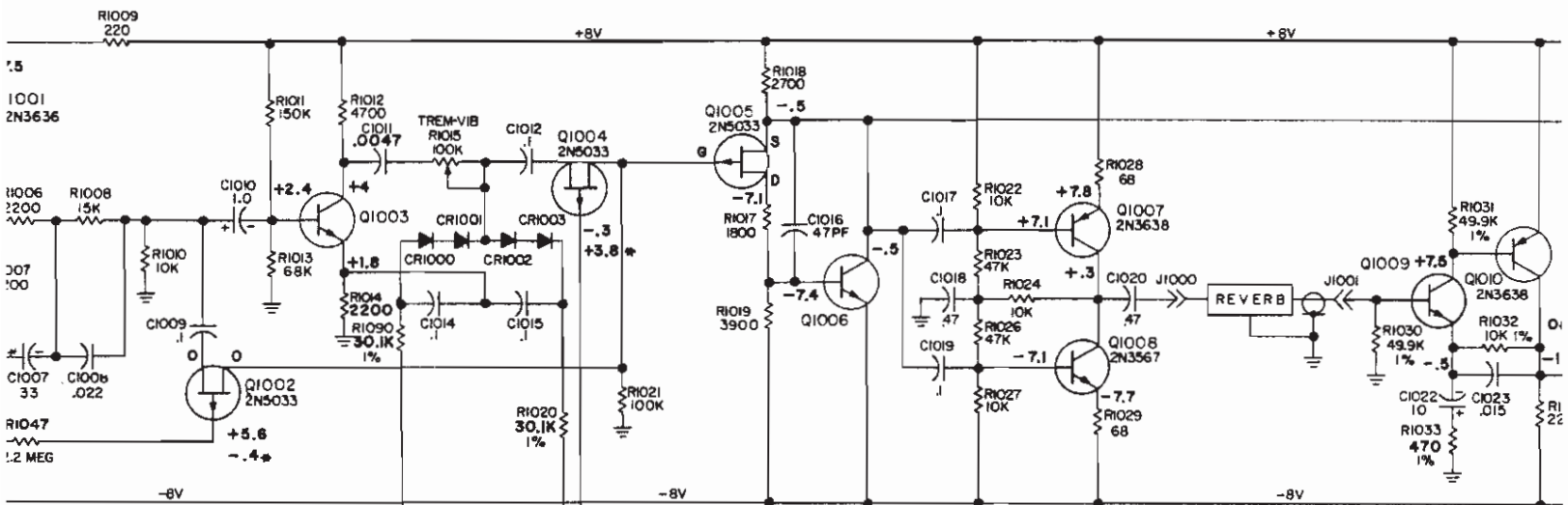




NOTES

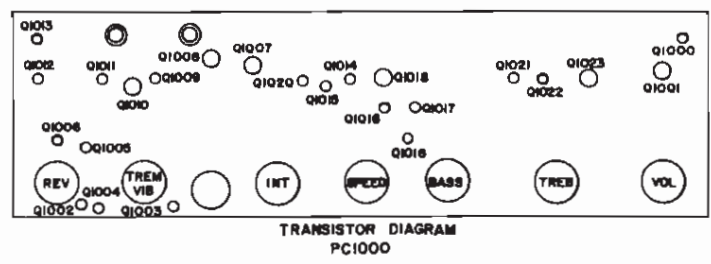
- 1 ALL RESISTORS ARE 1/2W, 10%, UNLESS NOTED.
- 2 ALL CAPACITOR VALUES ARE IN MICROFARADS, UNLESS NOTED.
- 3 ALL TRANSISTORS ARE SE4002 OR PET8002, UNLESS NOTED.
- 4 VOLTAGES ARE WITH POWER ON, ALL CONTRDLS FULL ON, NO SIGNAL, & NO LOAD.
- 5 ALL DIODES ARE FD111.
- 6 WHEN BOARDS ARE REMOVED FROM CHASSIS FOR SERVICE, ALL GROUNDS MUST BE TIED TOGETHER.
- 7 * INDICATES FOOT SWITCH IN OFF POSITION.
- 8 VOLTAGES ARE WITH POWER ON, ALL CONTRDLS FULL ON, NO SIGNAL, NO LOAD AND MEASURED FROM COMMON GROUND.

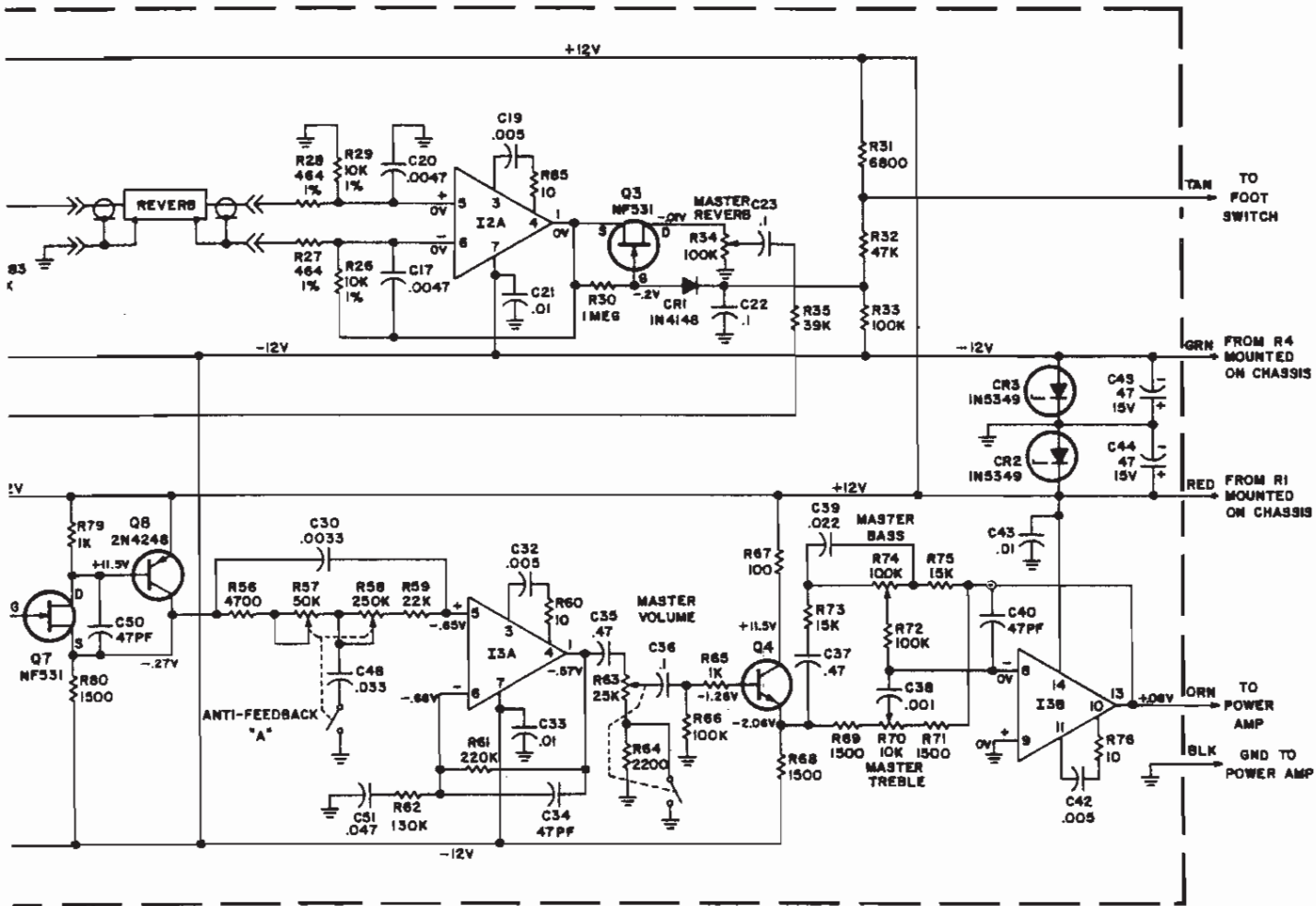




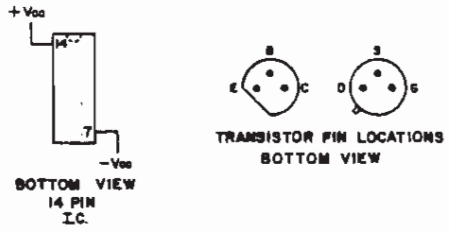
10%, UNLESS NOTED.
 E IN MICROFARADS, UNLESS NOTED.
 100Z OR PET800Z, UNLESS NOTED.
 R ON, ALL CONTROLS FULL ON, NO SIGNAL, 8 NO LOAD.

MOVED FROM CHASSIS FOR SERVICE, ALL GROUNDS
 ER.
 CH IN OFF POSITION.
 POWER ON, ALL CONTROLS FULL ON, NO SIGNAL, NO
 FROM COMMON GROUND.





RESISTORS ARE 1/2W, 10%, UNLESS NOTED.
 CAPACITOR VALUES ARE IN MICROFARADS, UNLESS NOTED.
 TRANSISTORS ARE 9E4002, UNLESS NOTED.
 ALL CONTROLS FULL ON,
 AND NO LOAD.



REV	DATE	BY	PART NUMBER	DESCRIPTION	ITEM
1	8-70	SPATS	002-3030-00	SCHEMATIC - MASTER CONTROL BOARD PC3030	
2	8-70	ADD			
3					
4					
5					
6					
7					
8					
9					
10					
11					
12					
13					
14					
15					
16					
17					
18					
19					
20					
21					
22					
23					
24					
25					
26					
27					
28					
29					
30					
31					
32					
33					
34					
35					
36					
37					
38					
39					
40					
41					
42					
43					
44					
45					
46					
47					
48					
49					
50					
51					
52					
53					
54					
55					
56					
57					
58					
59					
60					
61					
62					
63					
64					
65					
66					
67					
68					
69					
70					
71					
72					
73					
74					
75					
76					
77					
78					
79					
80					
81					
82					
83					
84					
85					
86					
87					
88					
89					
90					
91					
92					
93					
94					
95					
96					
97					
98					
99					
100					

REV	DATE	BY	PART NUMBER	DESCRIPTION	ITEM
1	8-70	SPATS	002-3030-00	SCHEMATIC - MASTER CONTROL BOARD PC3030	
2	8-70	ADD			
3					
4					
5					
6					
7					
8					
9					
10					
11					
12					
13					
14					
15					
16					
17					
18					
19					
20					
21					
22					
23					
24					
25					
26					
27					
28					
29					
30					
31					
32					
33					
34					
35					
36					
37					
38					
39					
40					
41					
42					
43					
44					
45					
46					
47					
48					
49					
50					
51					
52					
53					
54					
55					
56					
57					
58					
59					
60					
61					
62					
63					
64					
65					
66					
67					
68					
69					
70					
71					
72					
73					
74					
75					
76					
77					
78					
79					
80					
81					
82					
83					
84					
85					
86					
87					
88					
89					
90					
91					
92					
93					
94					
95					
96					
97					
98					
99					
100					