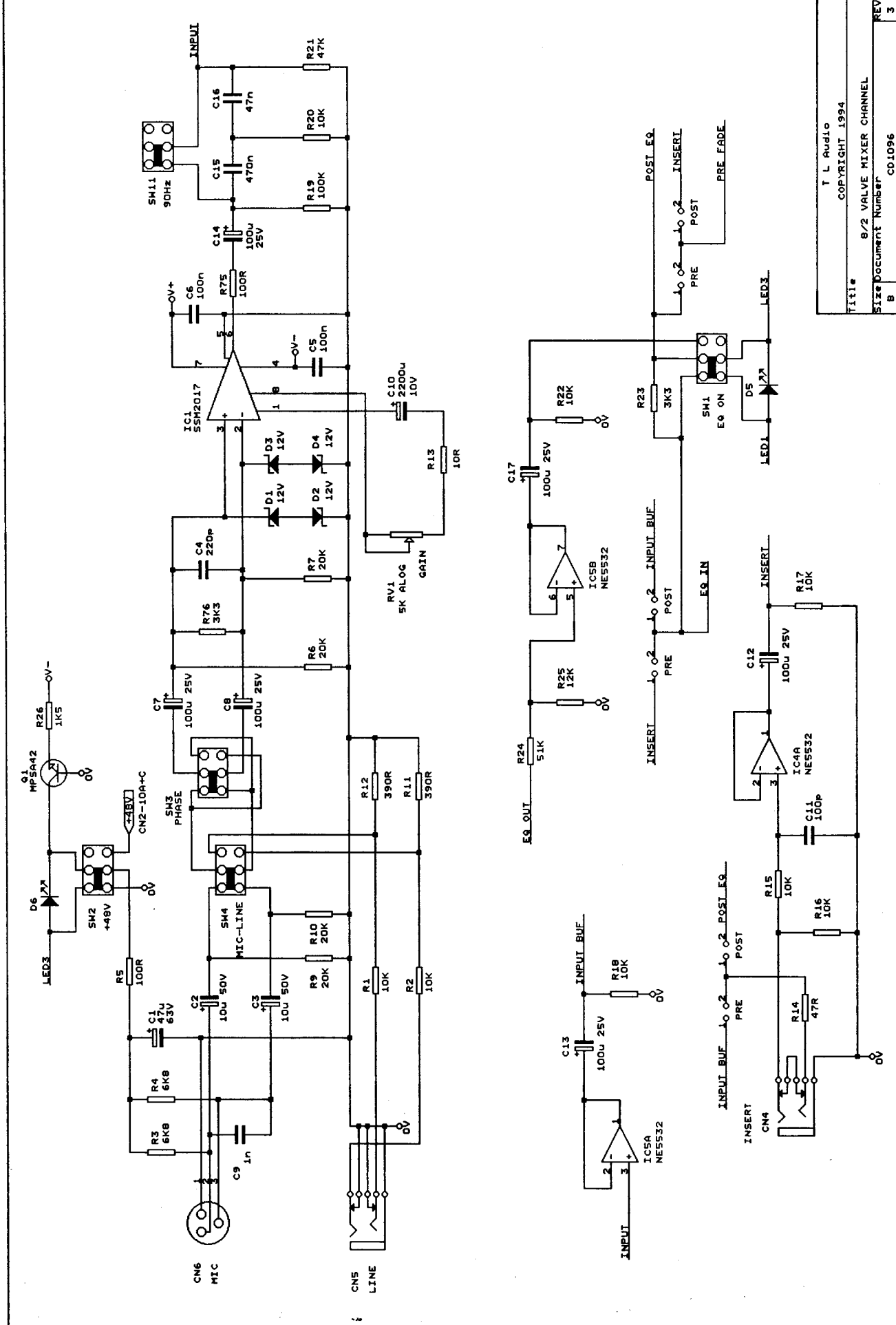
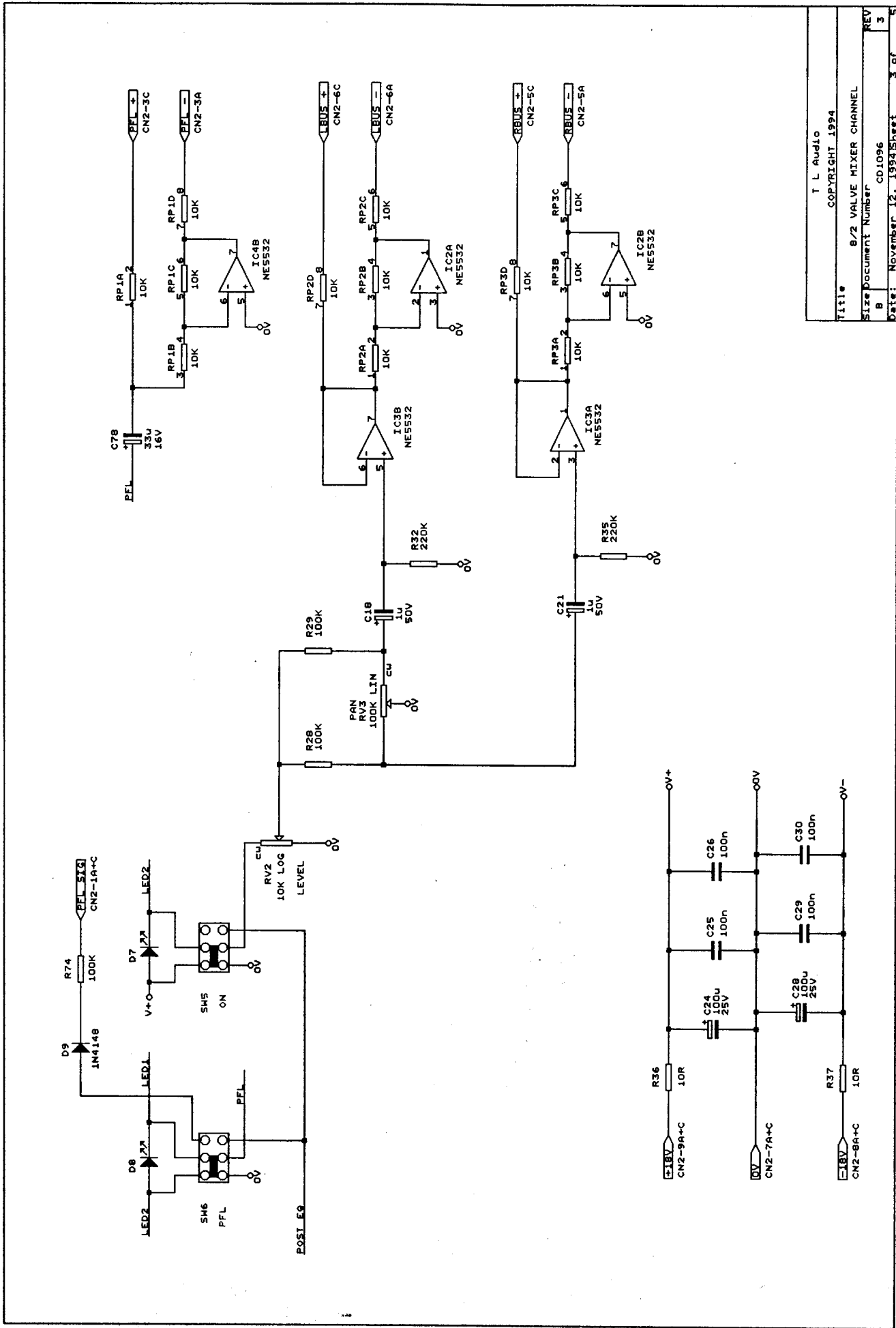


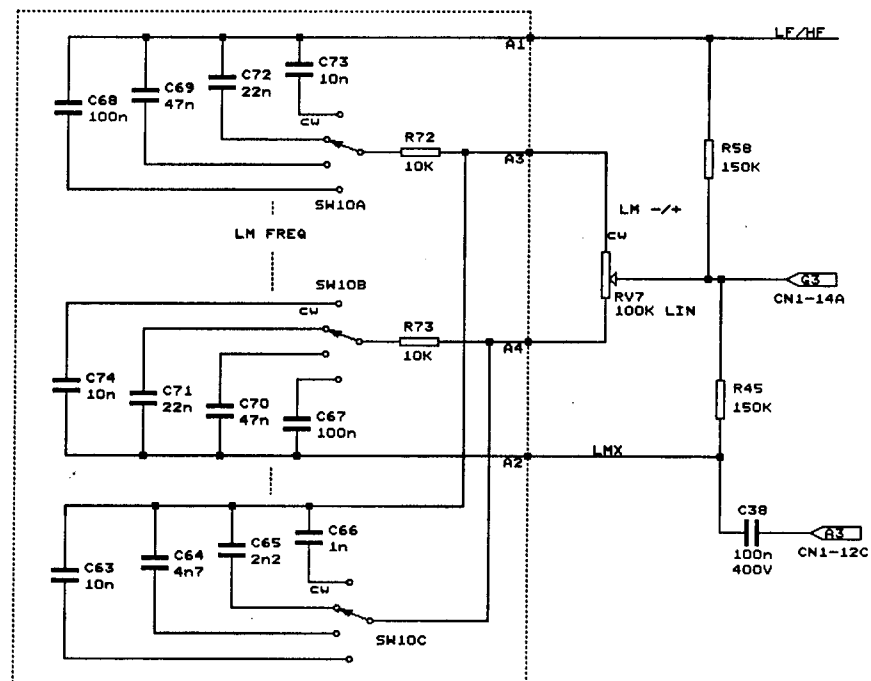
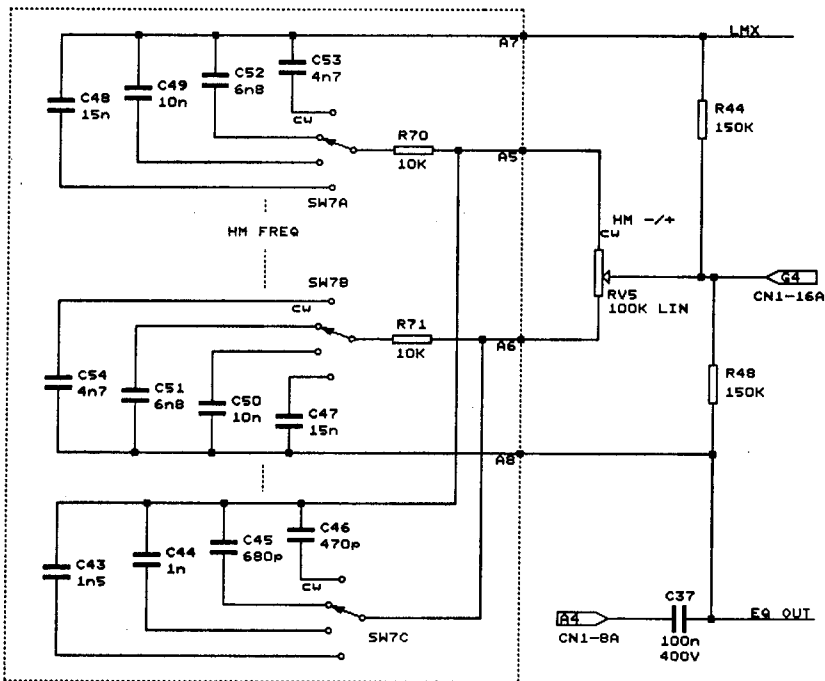
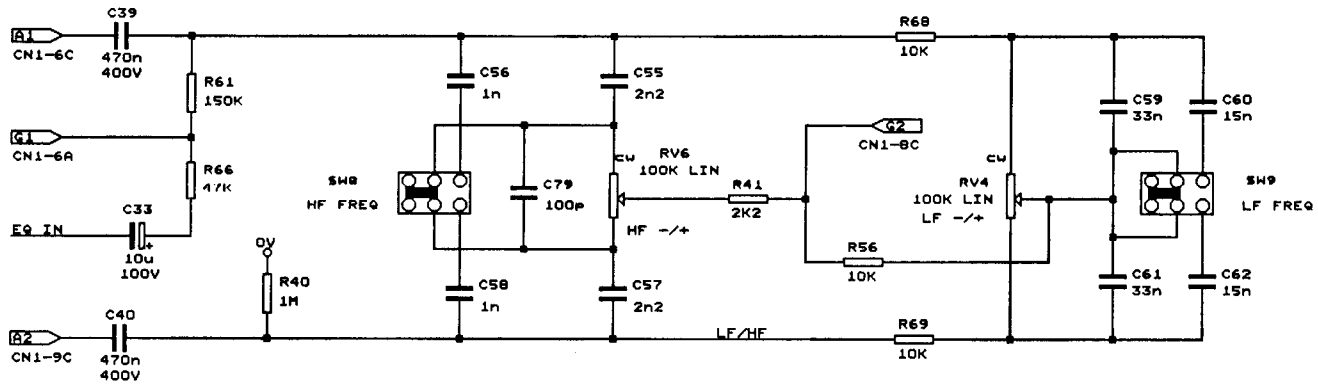
M-1 MIXER SCHEMATICS

T L Audio	
COPYRIGHT 1994	
Title	6/2 VALVE MIXER CHANNEL
Size	B
Document Number	CD1096
REV	3
Date	November 12, 1992
Sheet	1 of 5





T L Audio
 COPYRIGHT 1994
 Title
 8/2 VALVE MIXER CHANNEL
 Size Document Number CD1096
 B
 Date: November 12, 1994 Sheet 3 of 5



COMPONENTS WITHIN DOTTED LINES ARE LOCATED ON PC96C

T L Audio COPYRIGHT 1994	
Title 8/2 VALVE MIXER CHANNEL	
Size Document Number B	REV 3
Date: November 12, 1994	Sheet 5 of 5

