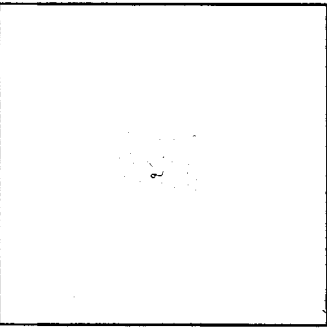
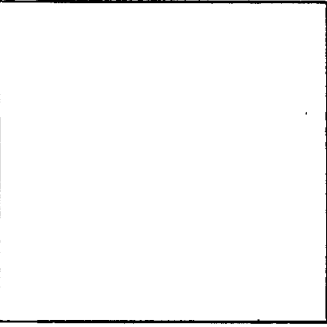


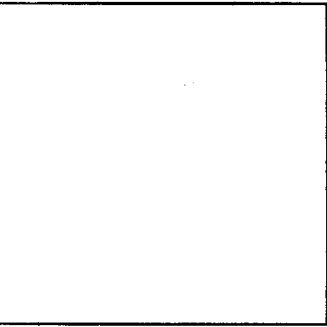
MIX STAGES + OUTPUT SHEET 2



MONITORING SHEET 3

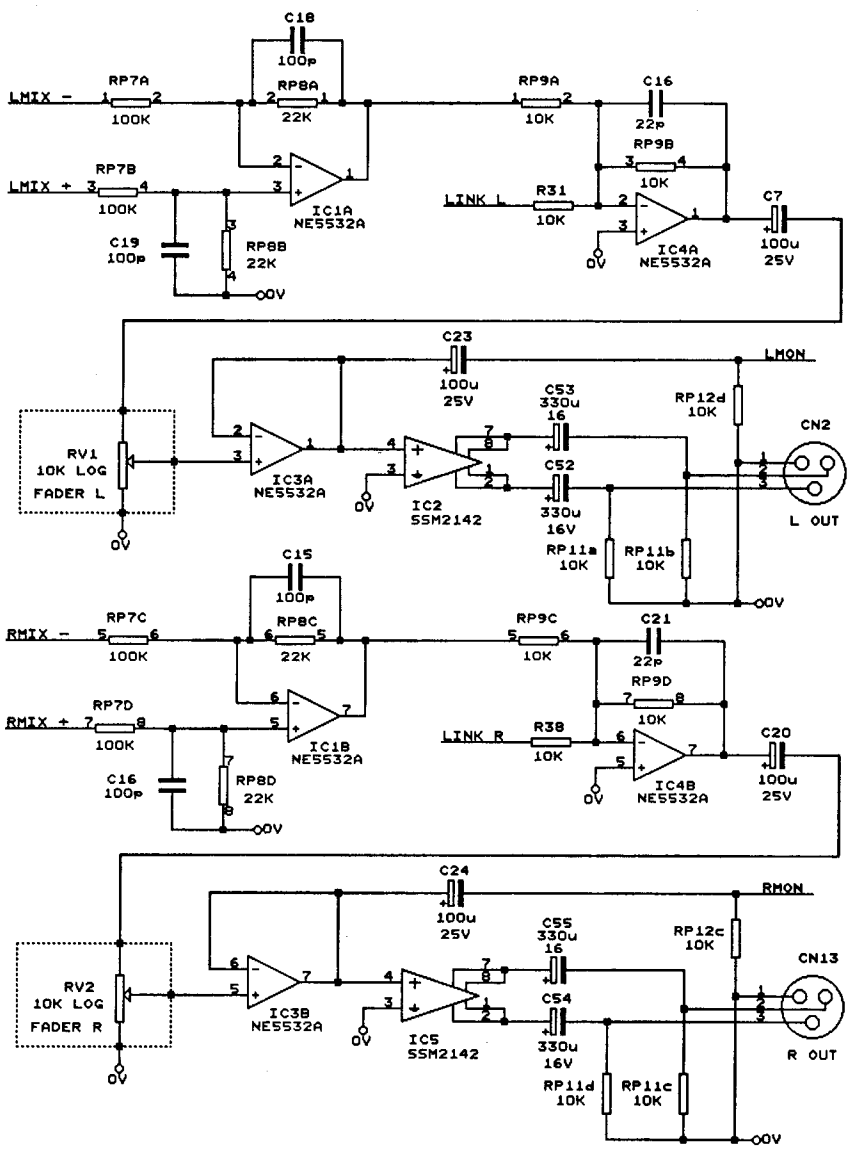
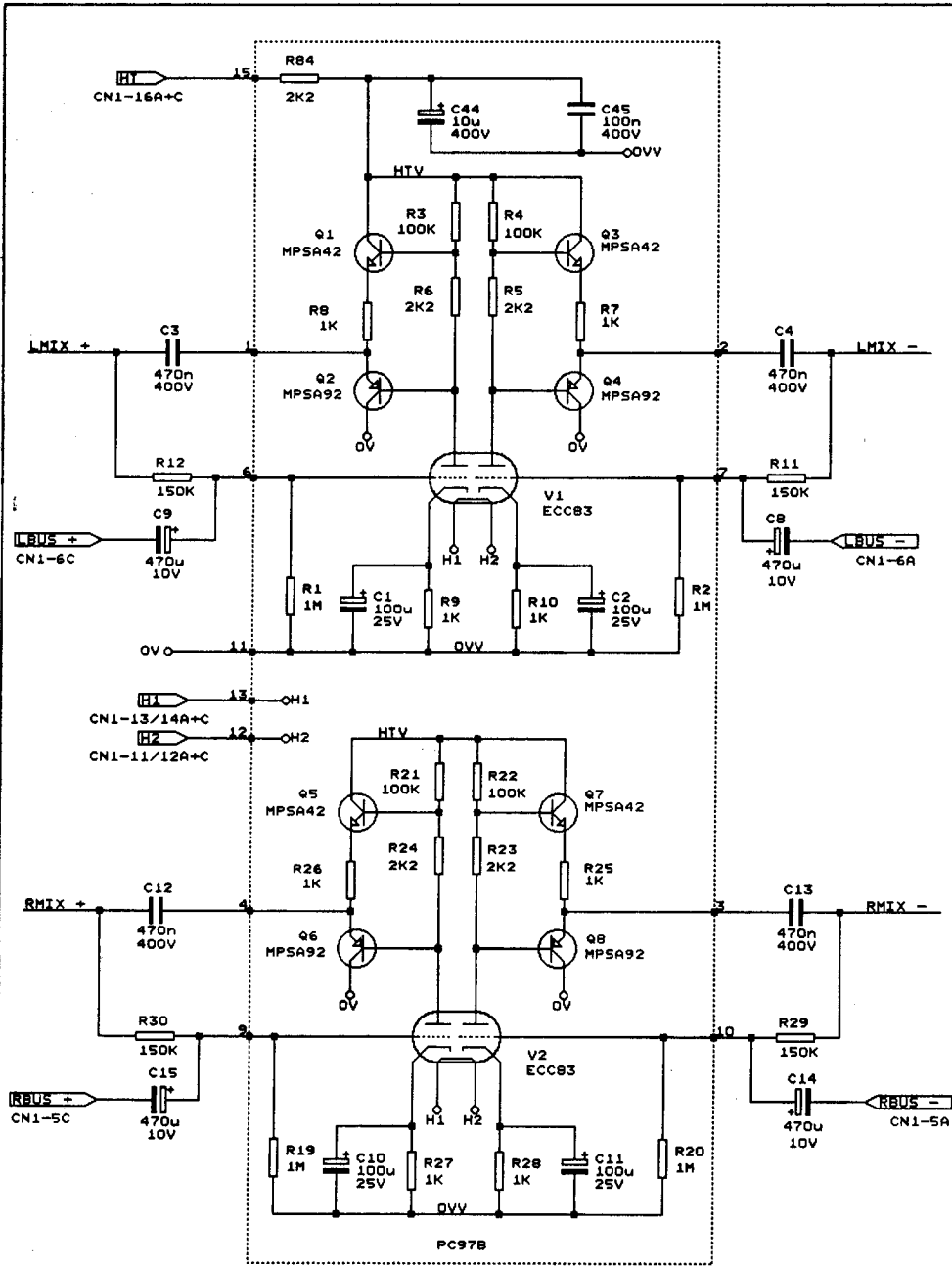


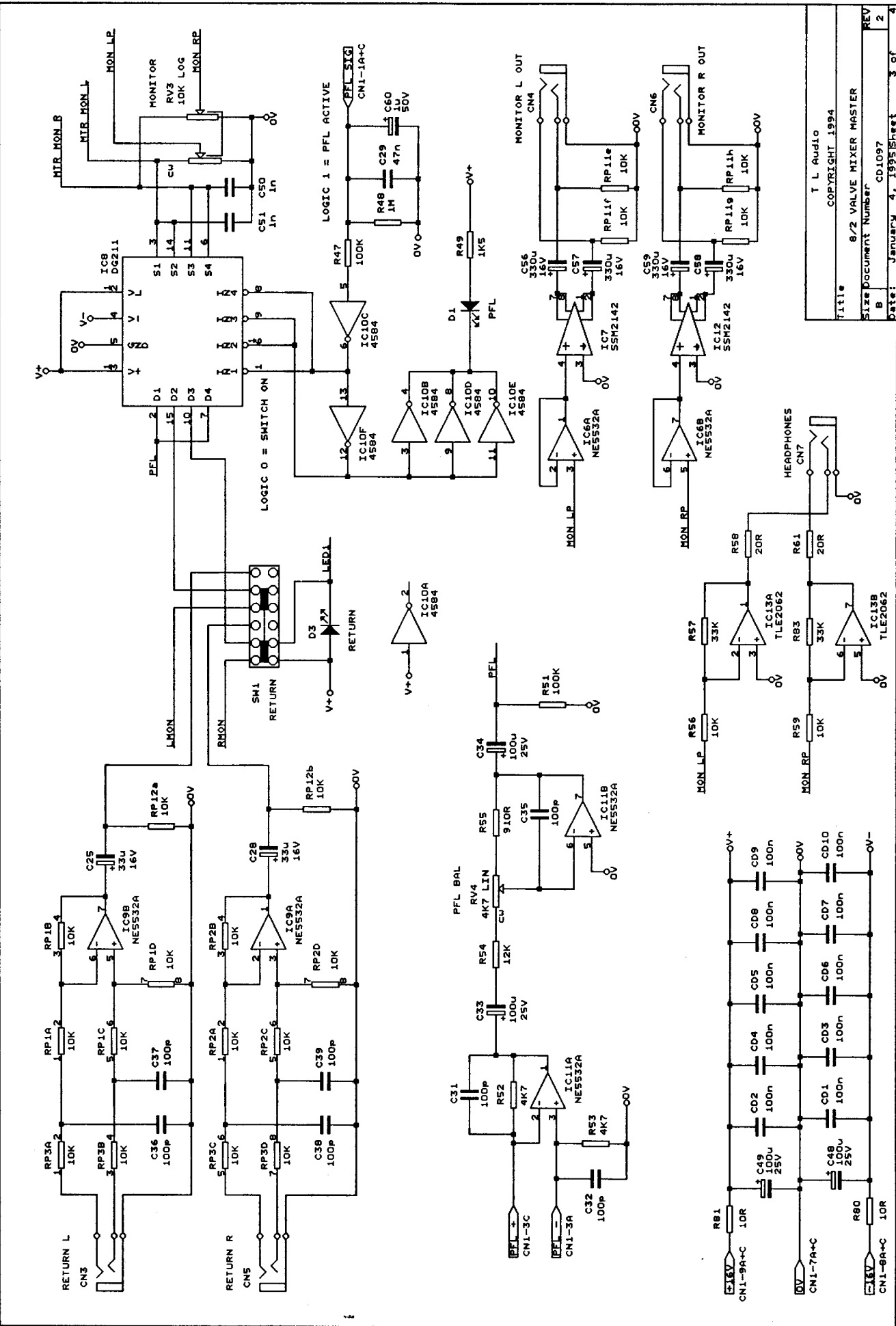
RETURN + METERING SHEET 4



THIS CIRCUIT DIAGRAM REFERS TO SERIAL NUMBERS 950000 ONWARDS.

T L Audio	
COPYRIGHT 1994	
Title	9/2 VALVE MIXER MASTER
Size	Document Number
B	CD1097
REV	3
Date	December 31, 1993
Sheet	1 of 4





Title: T L Audio
 Copyright: 1994
 Size Document Number: 8/2 VALVE MIXER MASTER
 REV: CD1097
 Date: January 4, 1995
 Sheet: 3 of 4

