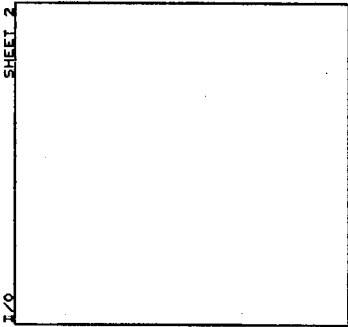


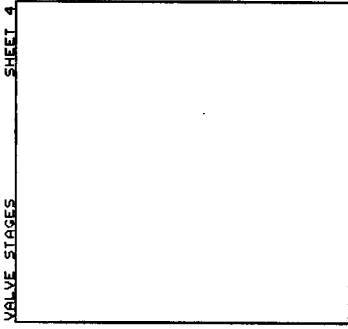
T/O

SHEET 2



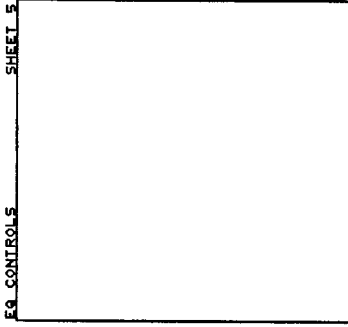
VALVE STAGES

SHEET 4



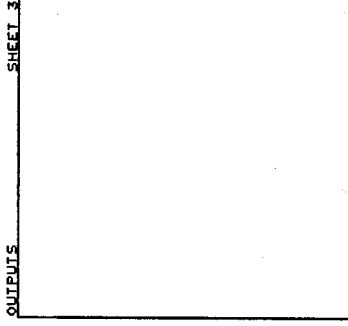
EQ CONTROLS

SHEET 5



OUTPUTS

SHEET 3



M-2 MIXER SCHEMATICS

T L Audio
COPYRIGHT 1995

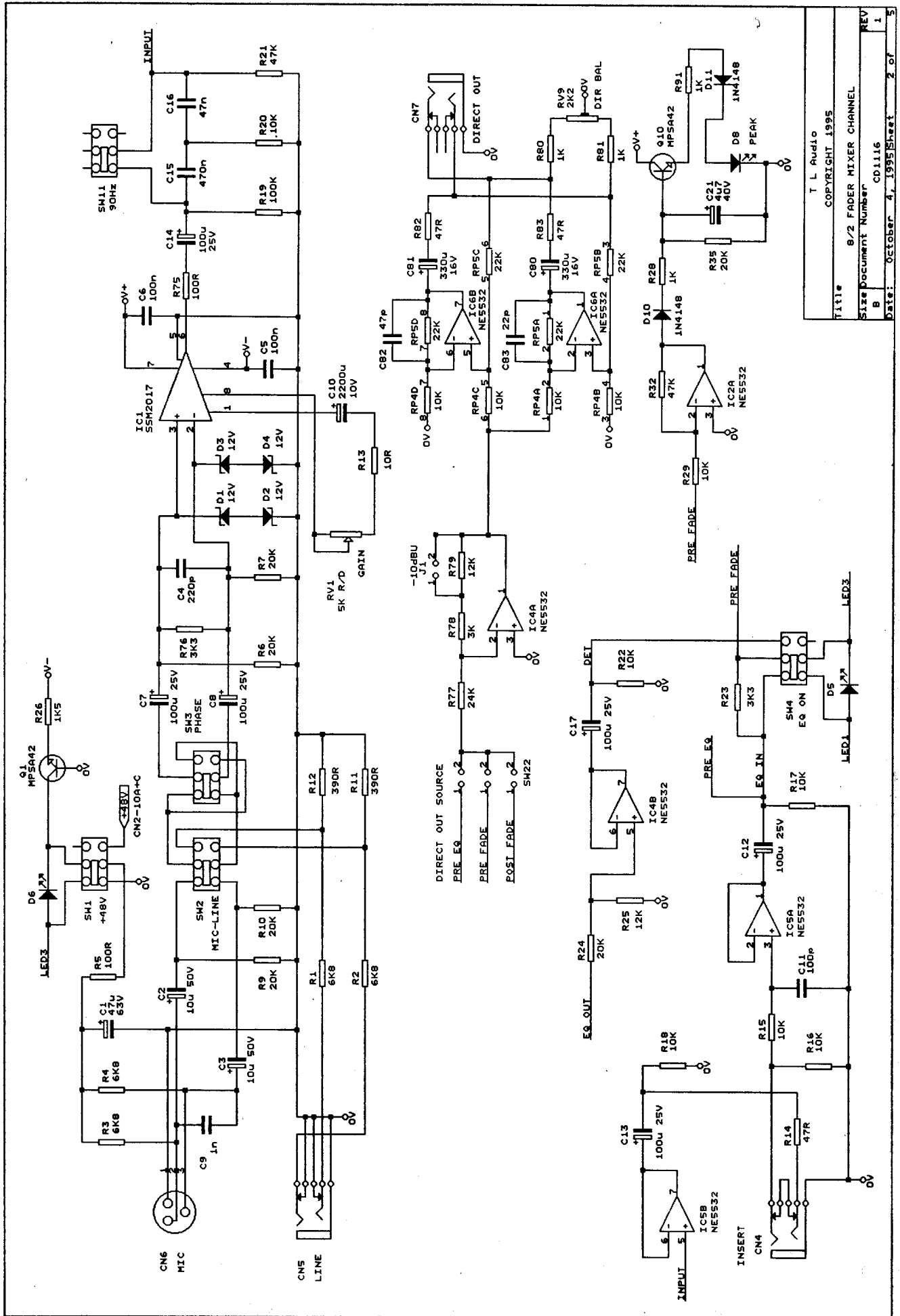
Title B/2 FADER MIXER CHANNEL

Size Document Number CD1116

Date: April 23, 1995

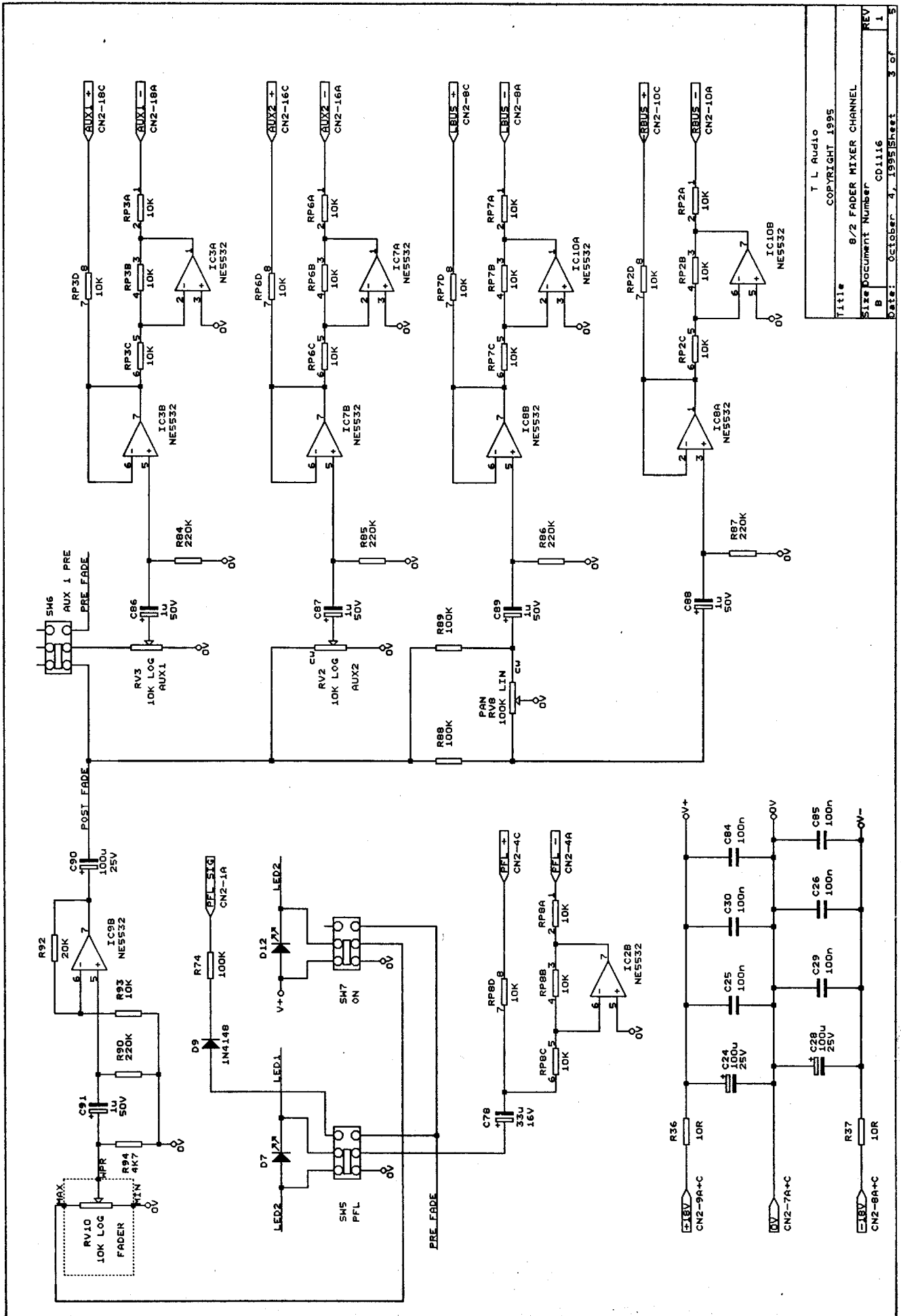
REV 1

Sheet 1 of 5

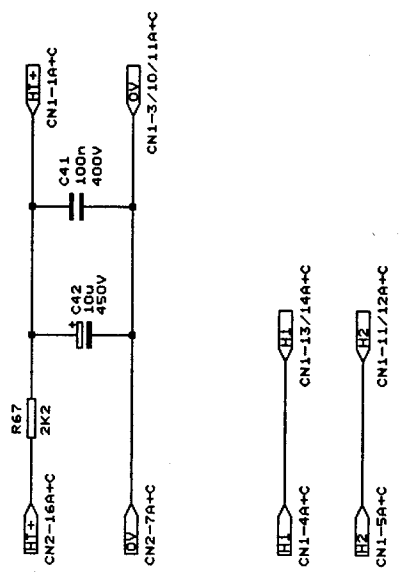
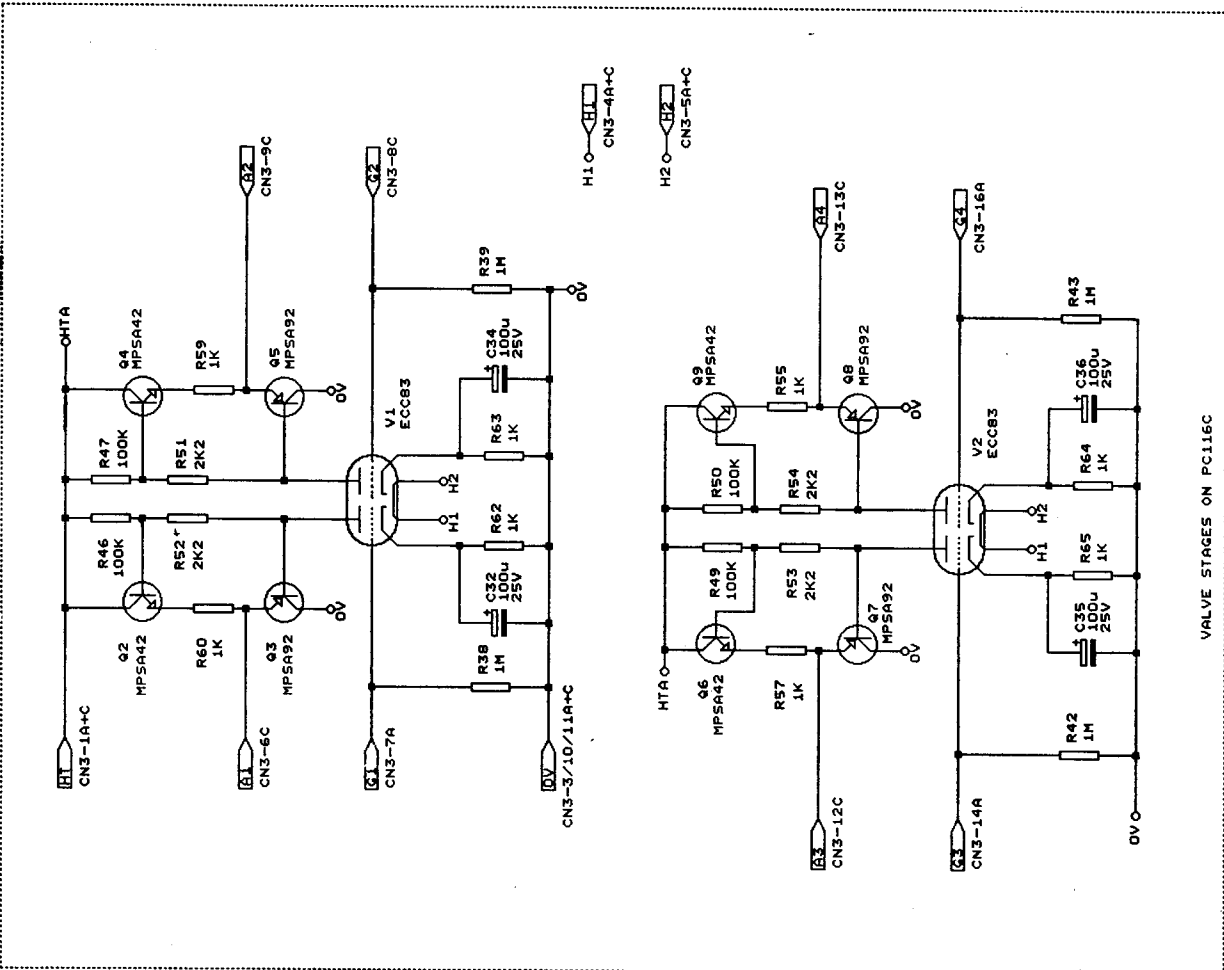


T L Audio
 COPYRIGHT 1995
 Title 9/2 FADER MIXER CHANNEL
 Size Document Number CD1116
 B
 Date: October 4, 1995 Sheet 2 of 5

REV 1

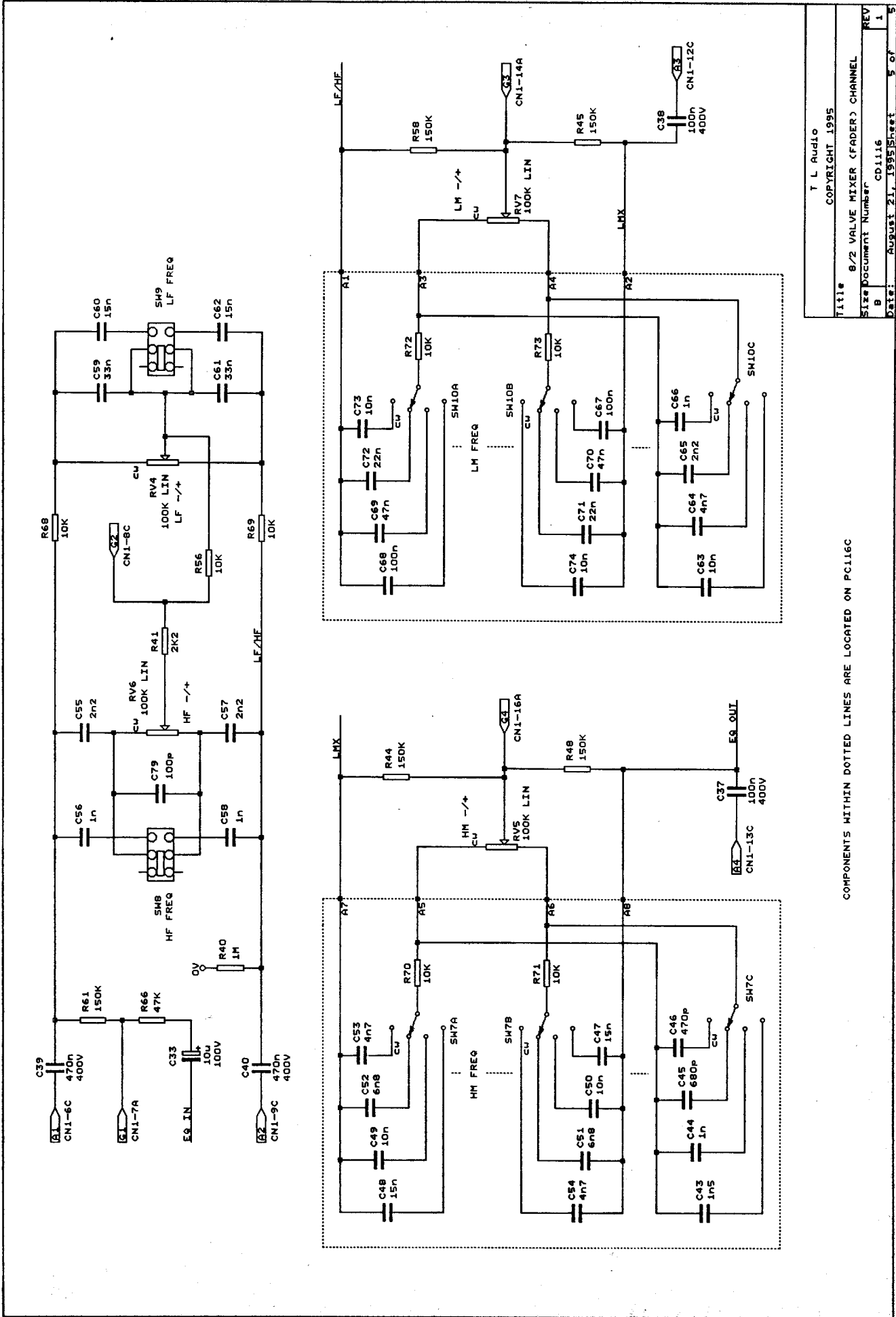


T L Audio
 COPYRIGHT 1995
 Title B/2 FADER MIXER CHANNEL
 Size Document Number CD1116
 REV 1
 Date: October 4, 1995 Sheet 3 of 5



VALVE STAGES ON PC116C

Title		T L Audio	
Copyright		COPYRIGHT 1995	
Size		8/2 FADER MIXER CHANNEL	
Document Number		CD1116	
REV	B	Sheet	4 of 5
	1		



COMPONENTS WITHIN DOTTED LINES ARE LOCATED ON PC116G

T L Audio	
COPYRIGHT 1995	
Title	8/2 VALVE MIXER (FADER) CHANNEL
Size	Document Number CD116
REV	1
Date	August 21, 1995
Sheet	5 of 5