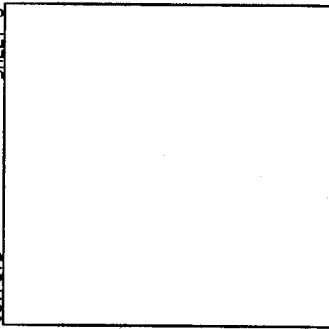
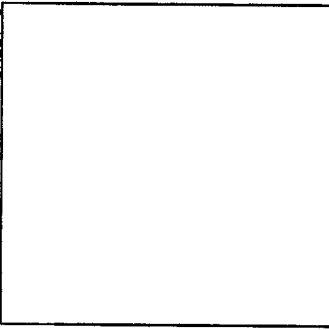
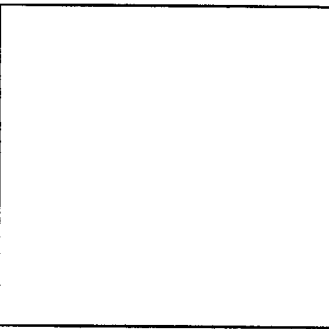
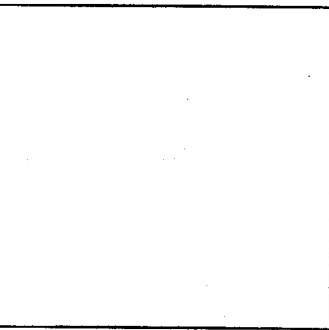


T/O SHEET 2

VALVE STAGES SHEET 4

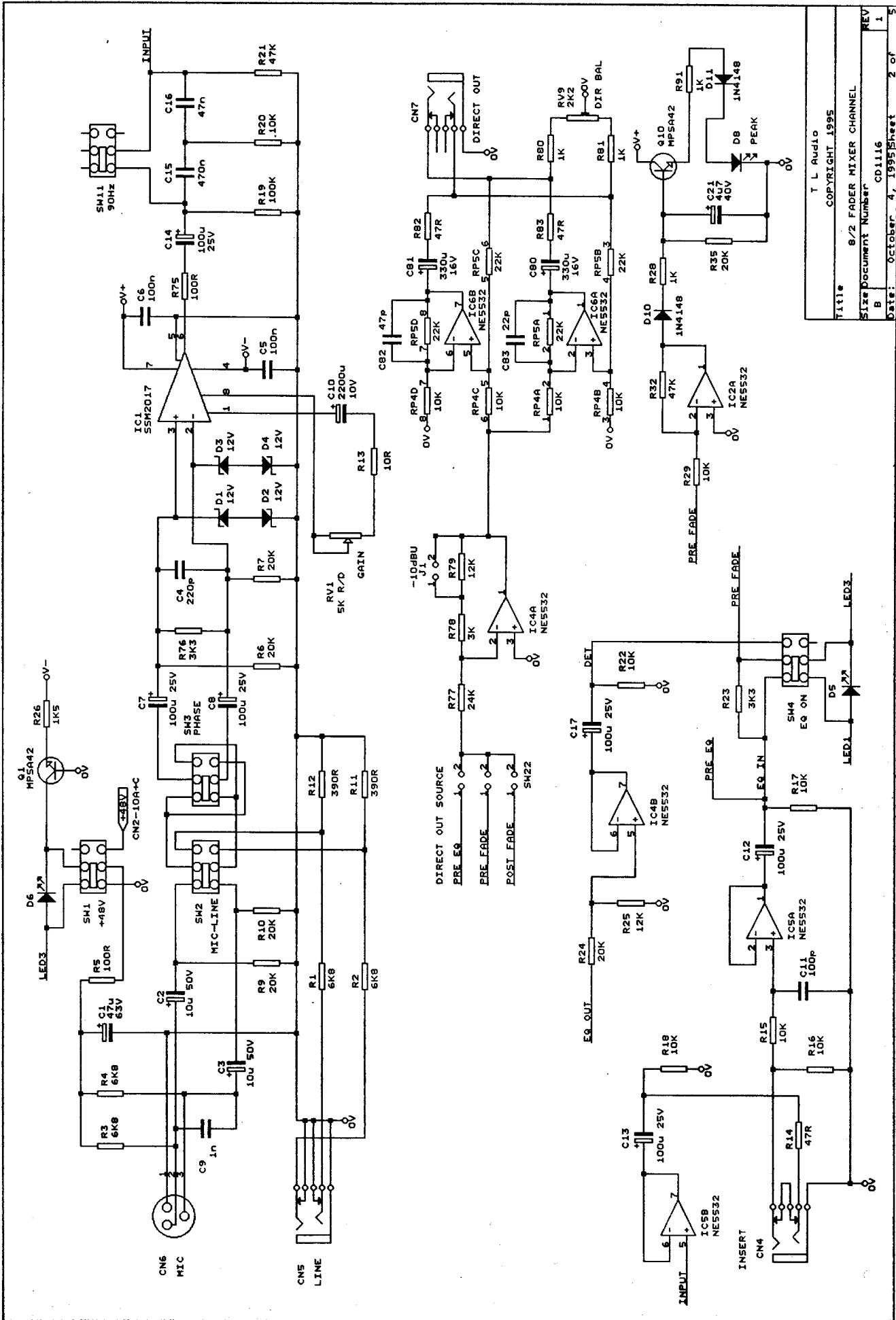
EQ CONTROLS SHEET 5

OUTPUTS SHEET 3

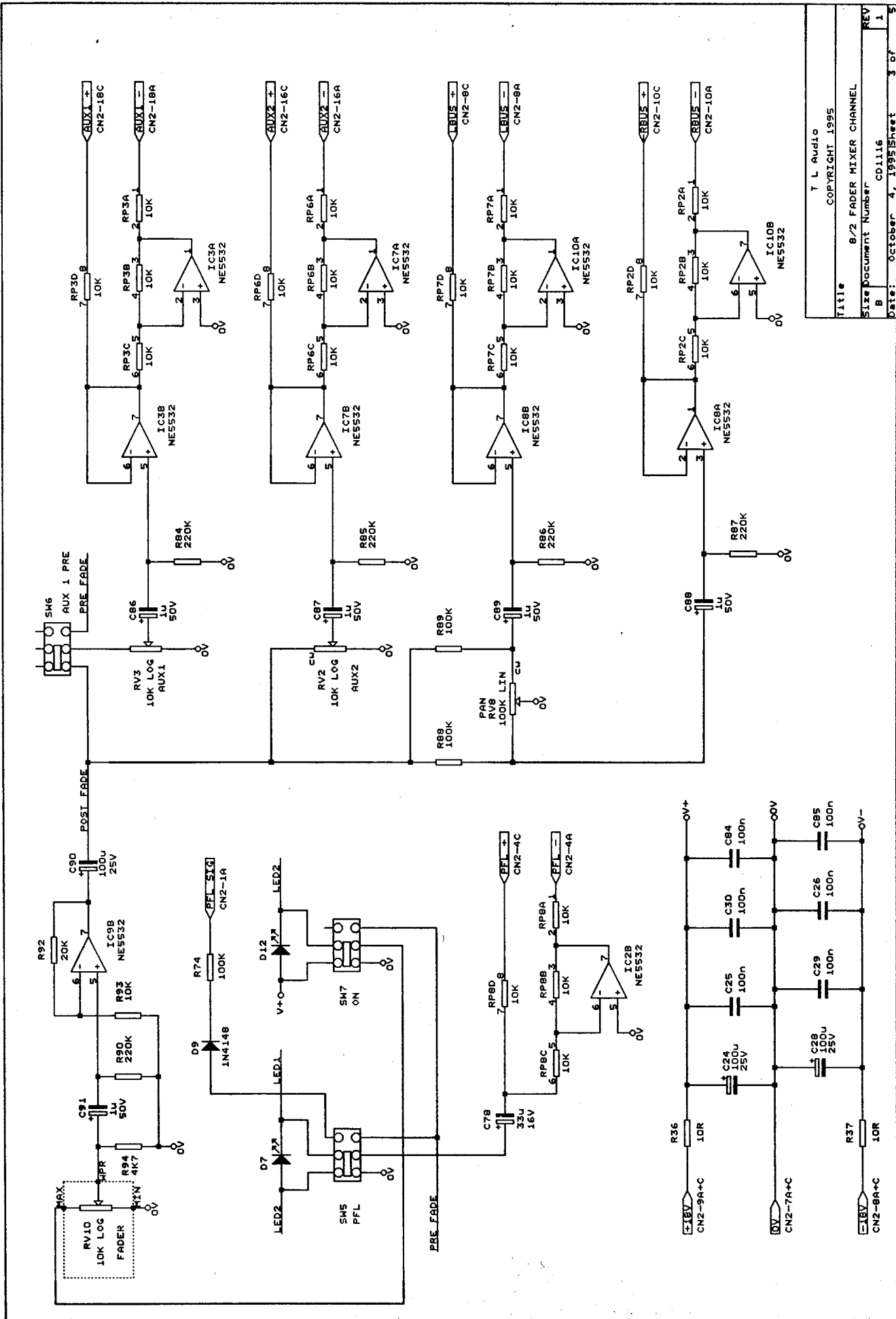


### M-2 MIXER SCHEMATICS

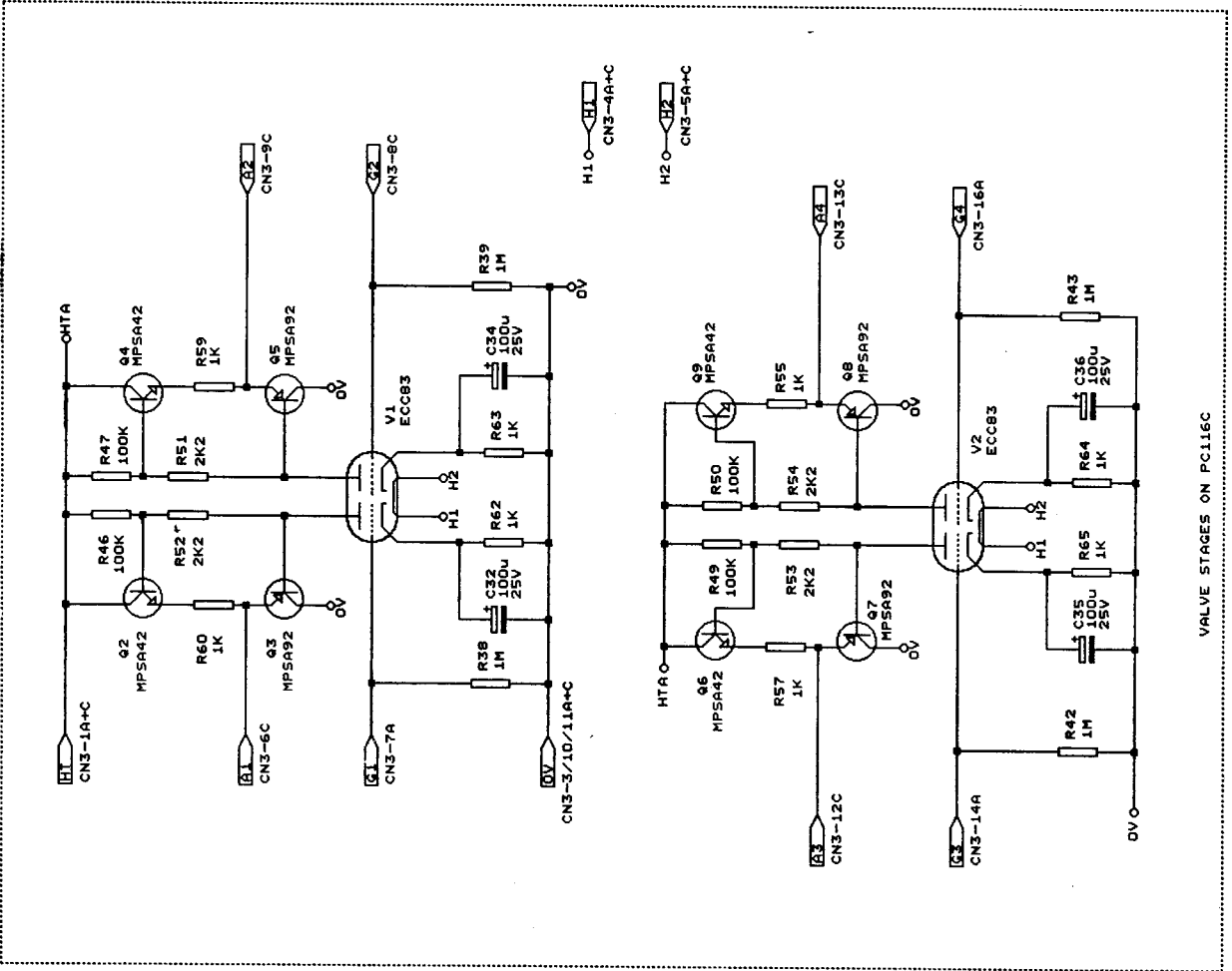
T L Audio	
COPYRIGHT 1995	
Title	8/2 FADER MIXER CHANNEL
Size	Document Number
B	CD1116
REV	1
Date:	April 23, 1995
Sheet	1 of 5



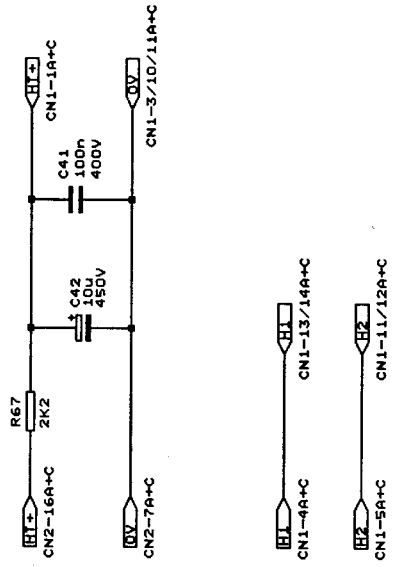
T L Audio  
 COPYRIGHT 1995  
 Title 8/2 FADER MIXER CHANNEL  
 Size Document Number CD116  
 B  
 Date: October 4, 1995 Sheet 2 of 5

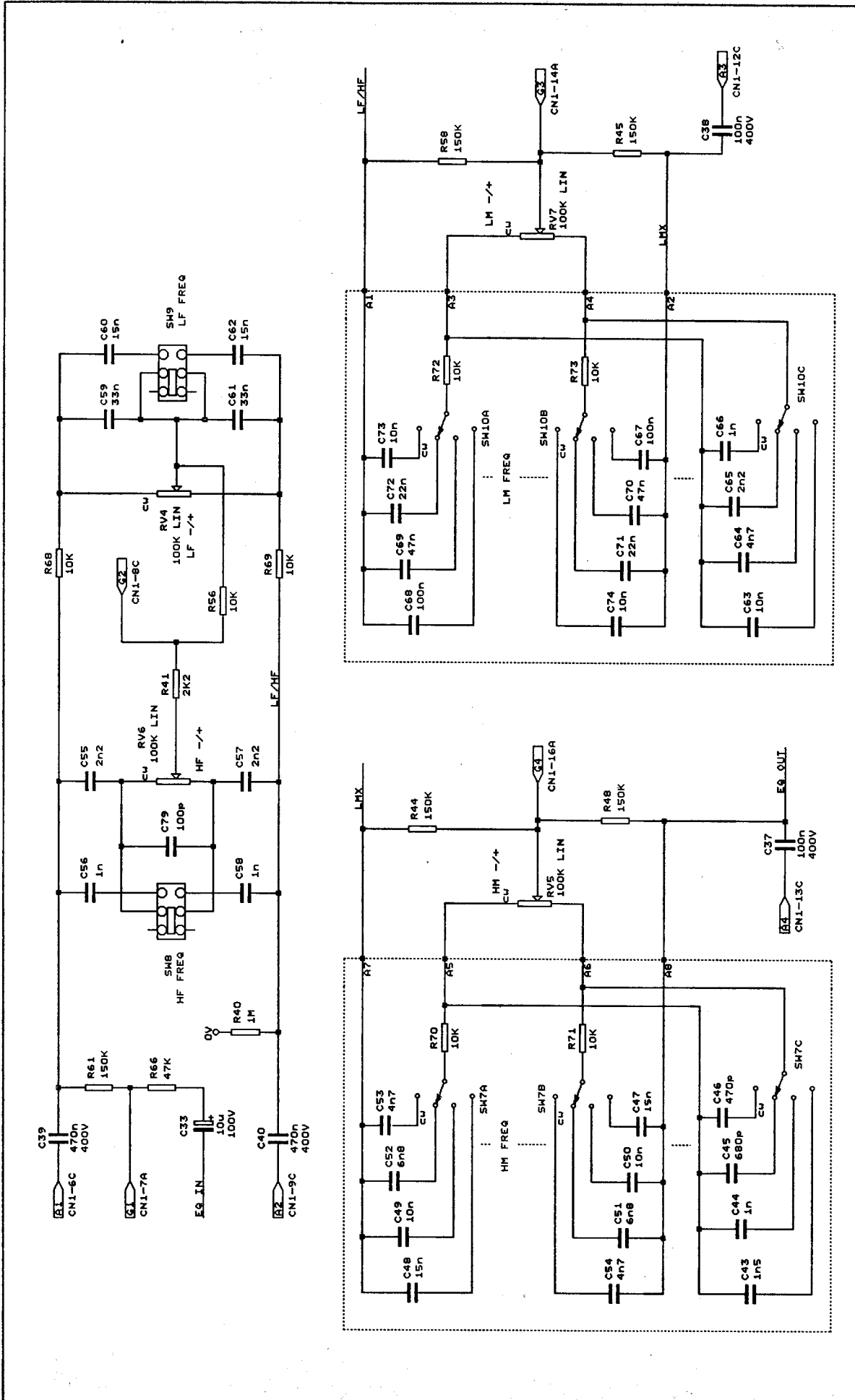


Title T L Audio  
 Copyright 1995  
 Size Document Number CD116  
 REV B  
 Date: October 4, 1995 Sheet 3 of 5



VALVE STAGES ON PC116C





COMPONENTS WITHIN DOTTED LINES ARE LOCATED ON PC116C

T L Audio	
COPYRIGHT 1995	
Title	8/2 VALVE MIXER (FADER) CHANNEL
Size	Document Number CD1116
REV	B
Date:	August 21, 1995 Sheet 5 of 5