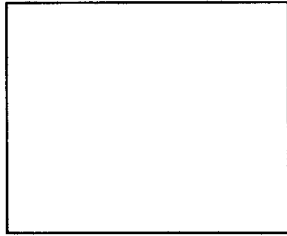
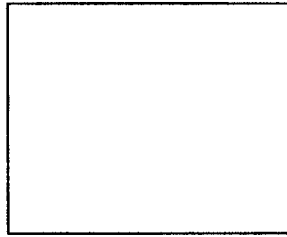


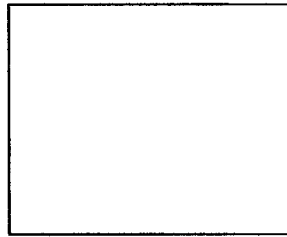
INPUT



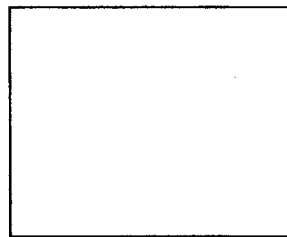
EQ



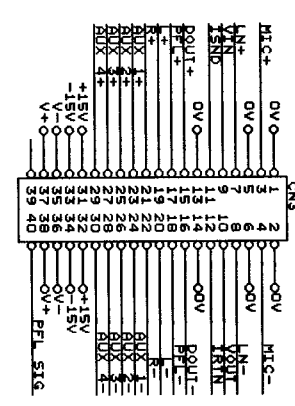
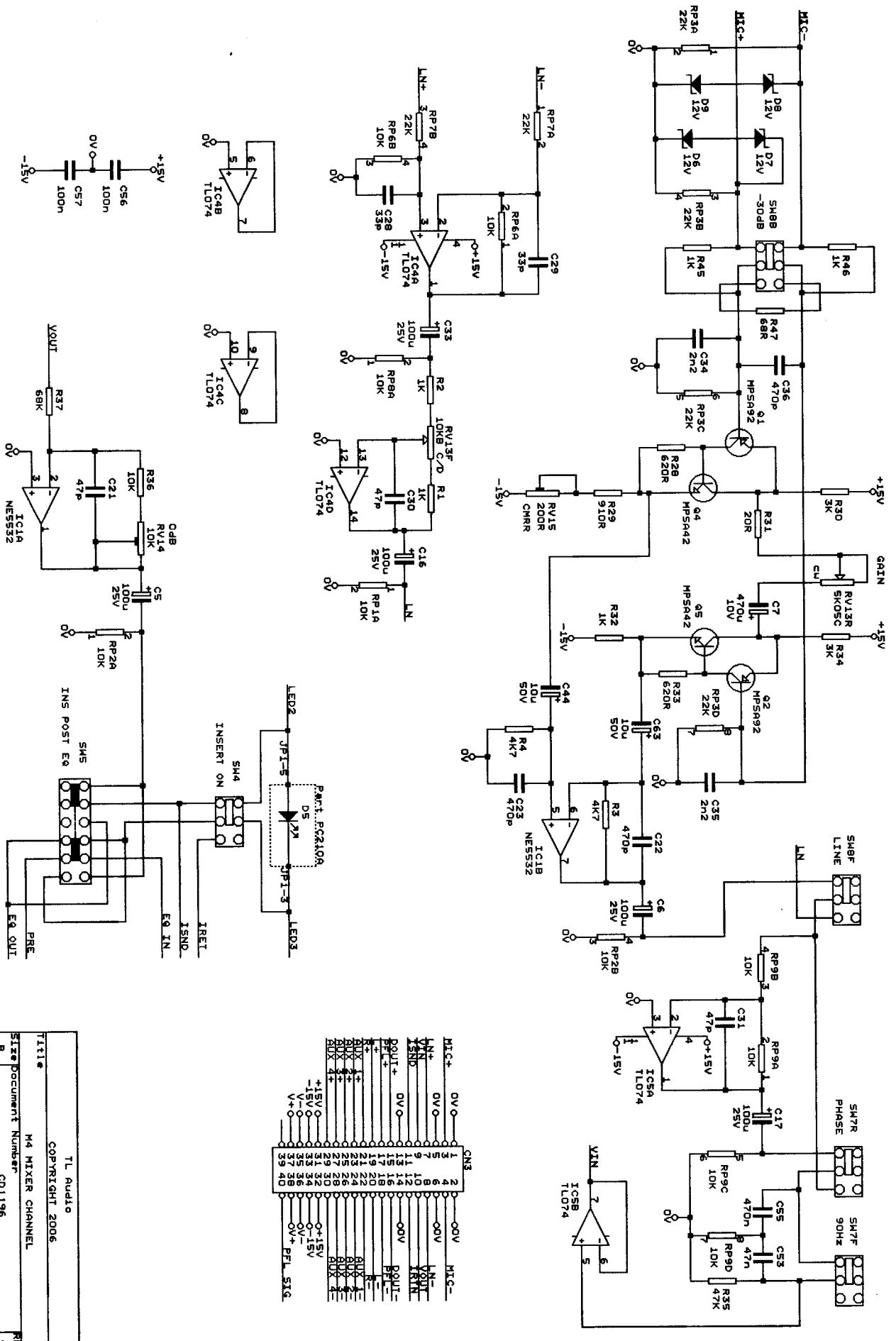
AUX + PAN



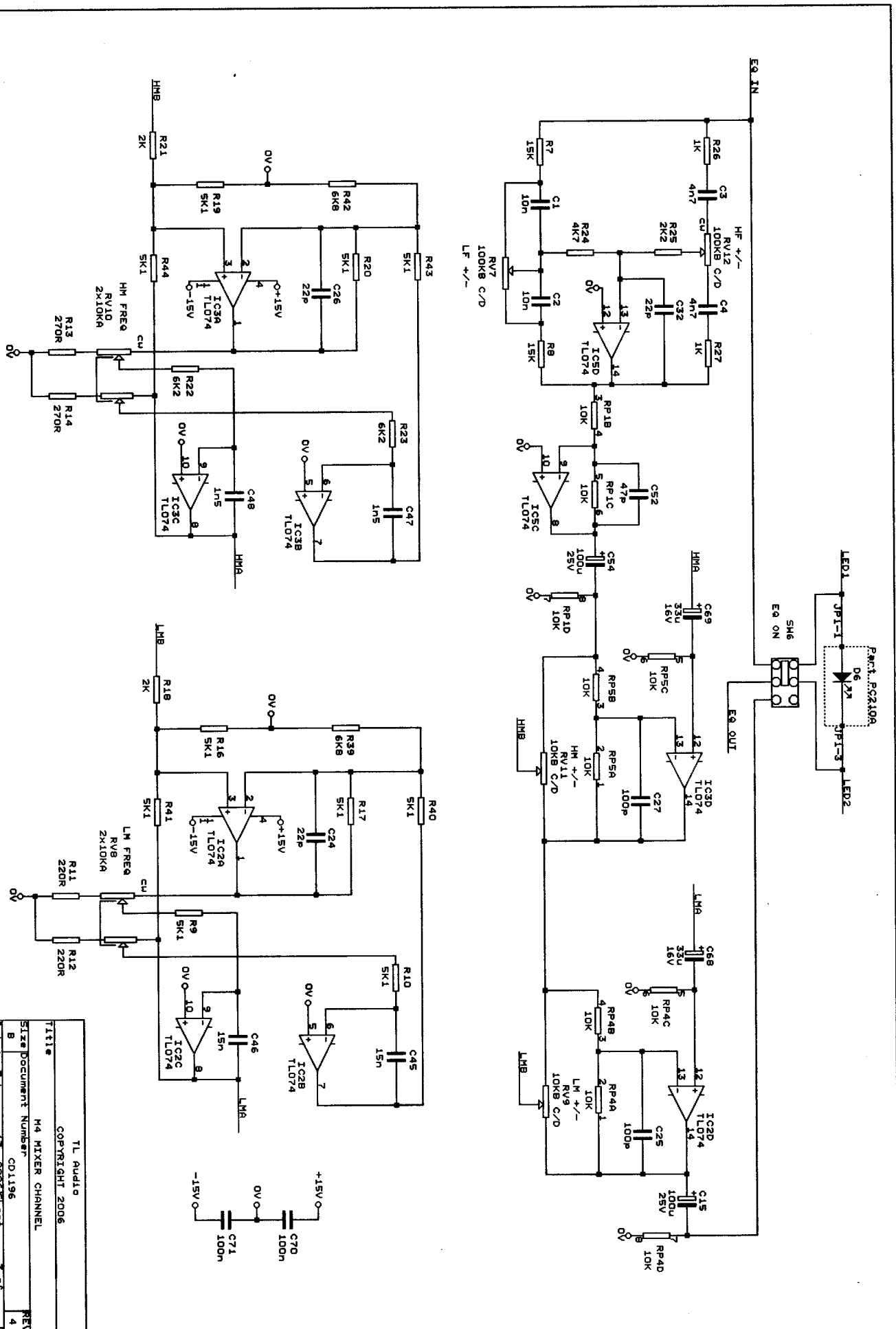
TAPE OUT, REGULATORS



TL Audio	
COPYRIGHT 2006	
TITLE	
M4 MIXER CHANNEL	
Size Document Number	REV
B CD1196	4
Date: February 17, 2006	Sheet 1 of 5



TL Audio  
 COPYRIGHT 2006  
 M4 MIXER CHANNEL  
 CD1196  
 REV 4  
 Date: February 17, 2006 Sheet 2 of 5



TITLE		TL Audio
Size Document Number		M4 MIXER CHANNEL
Date:		February 17, 2005
REV	4	5

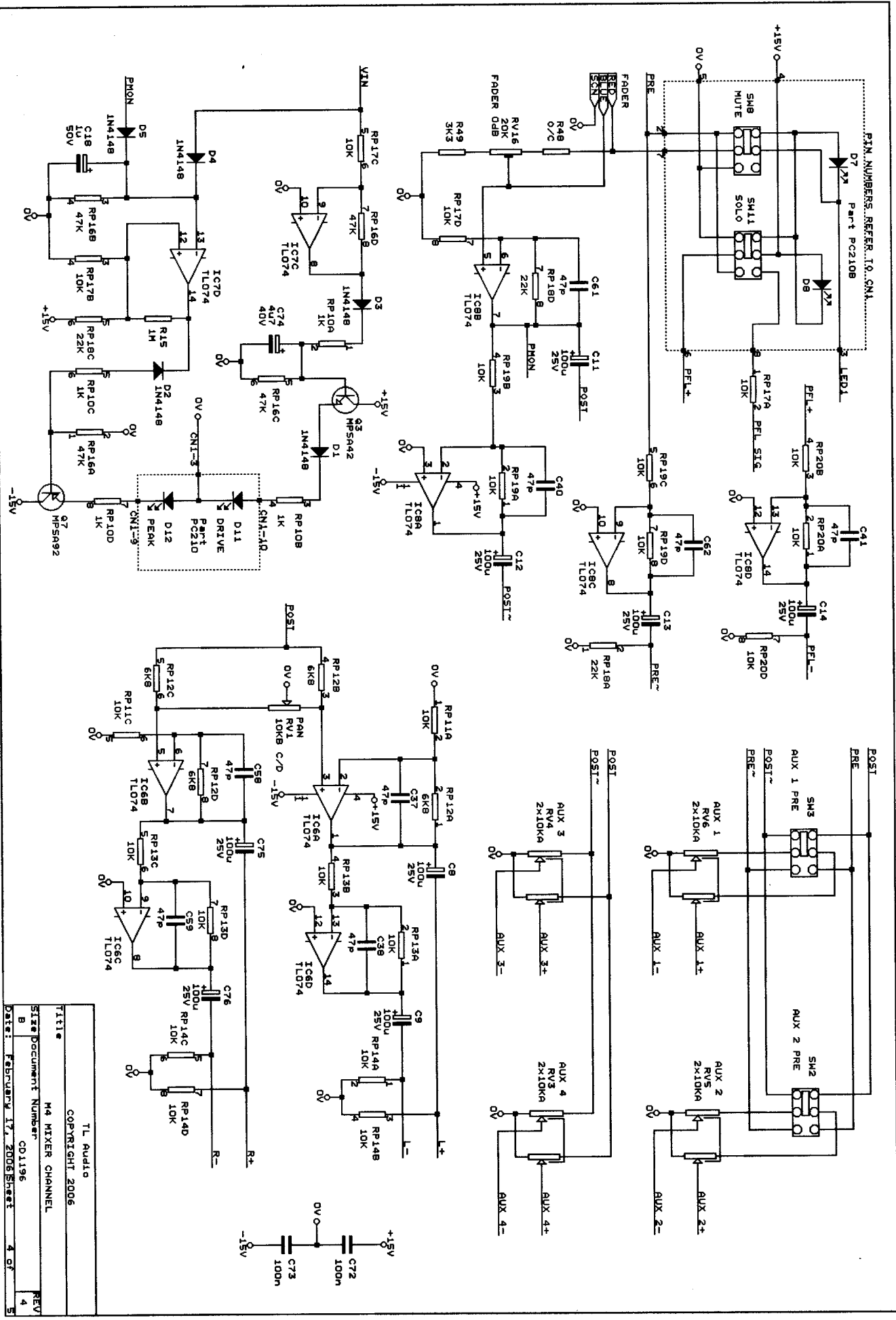


FIG. NUMBERS, REFER TO CN1

Part PC210B

LED1

POST

AUX 1 PRE

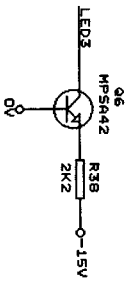
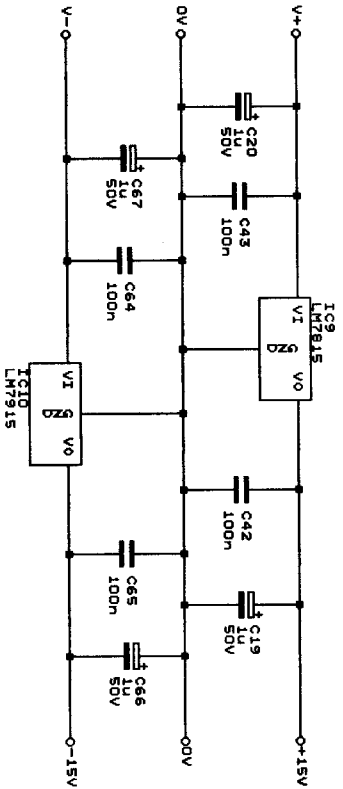
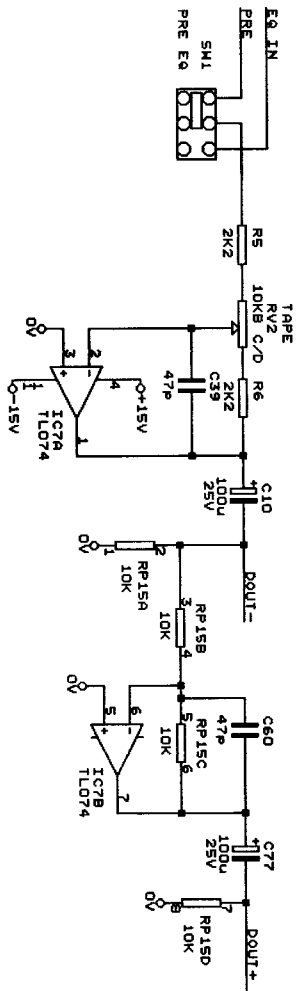
AUX 2 PRE

POST

AUX 1-4

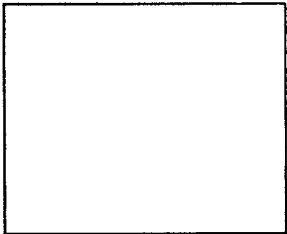
TL Audio  
 Copyright 2006  
 M4 MIXER CHANNEL  
 Size Document Number CD1196  
 B  
 Date: February 17, 2006 Sheet 4 of 5

REV  
 4  
 5

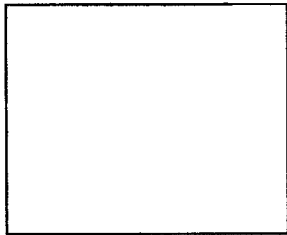


TL Audio	
COPYRIGHT 2006	
Title	
M4 MIXER CHANNEL	
Size	Document Number
B	CD1196
Date:	February 17, 2005 Sheet
	5 of 5

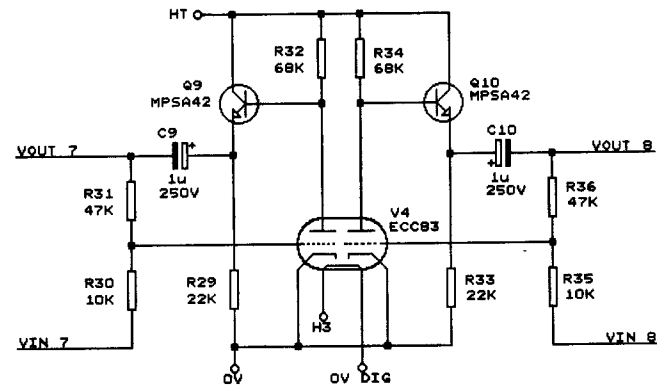
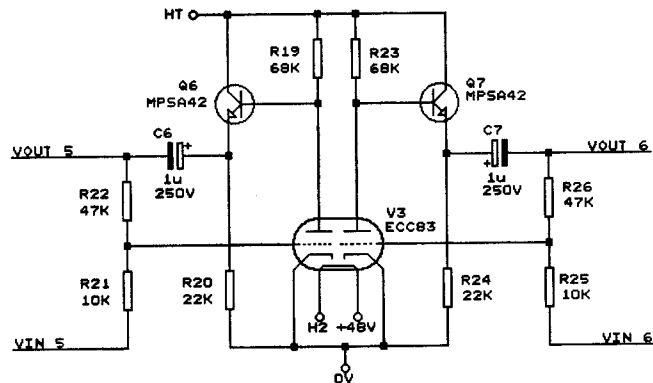
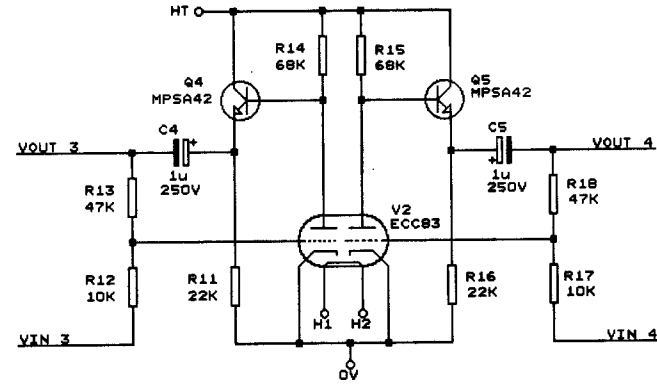
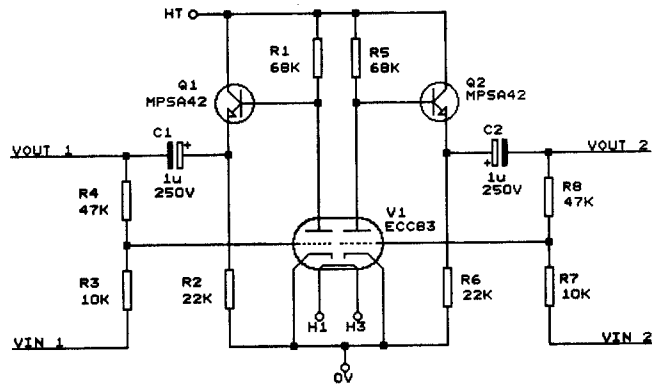
VALVE STAGES



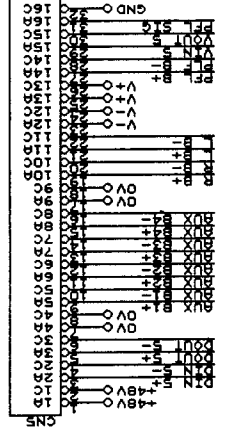
CONNECTORS



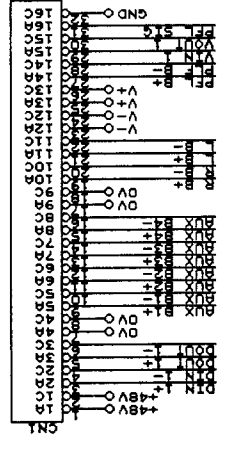
TL RUDLO LIMITED	
COPYRIGHT 2005	
TITLE	
M4 MIXER CHANNEL BACKPLANE	
Size	Document Number
B	CD1197
Date: September 07, 2005	Sheet 1 of 3
REV	3



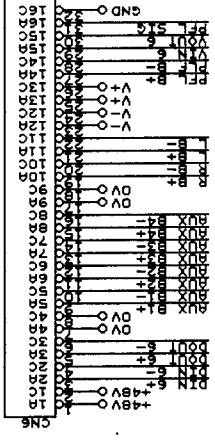
TL Audio LIMITED		
COPYRIGHT 2005		
Title M4 MIXER CHANNEL BACKPLANE		
Size Document Number	CD1197	REV 3
Date: September 8, 2005		Sheet 2 of 3



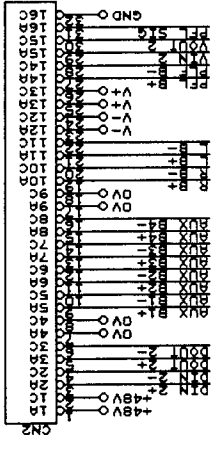
CHANNEL 5



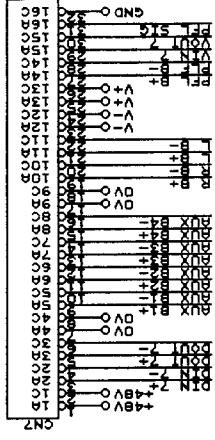
CHANNEL 1



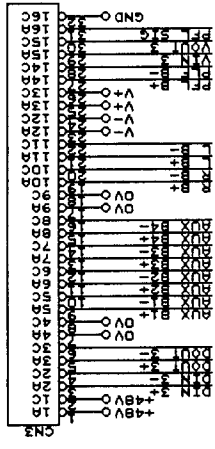
CHANNEL 6



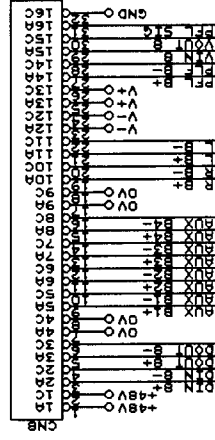
CHANNEL 2



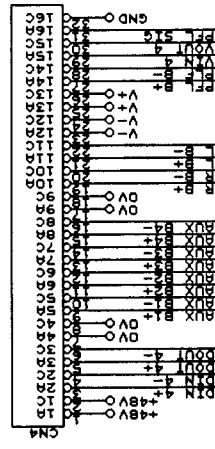
CHANNEL 7



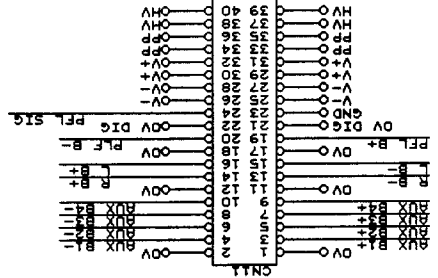
CHANNEL 3



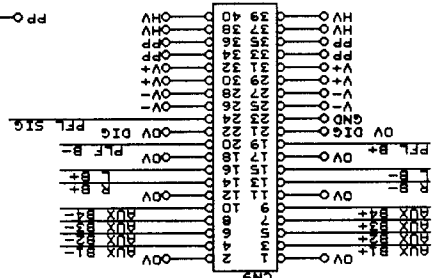
CHANNEL 8



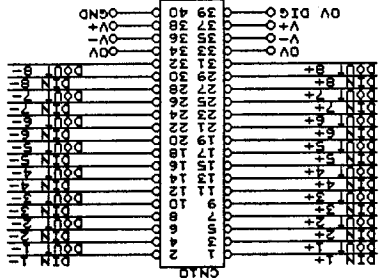
CHANNEL 4



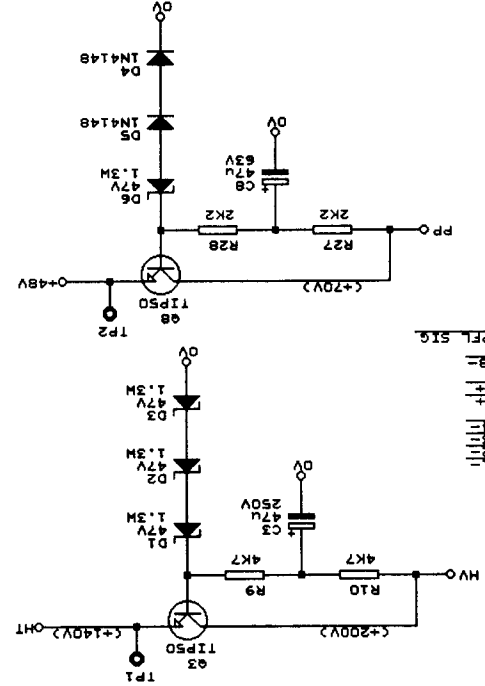
LINK RIGHT



LINK LEFT

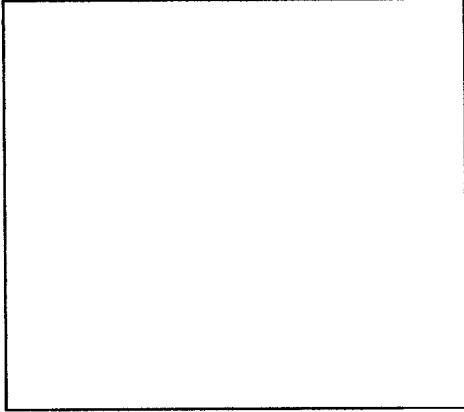


DIGITAL I/O OPTION

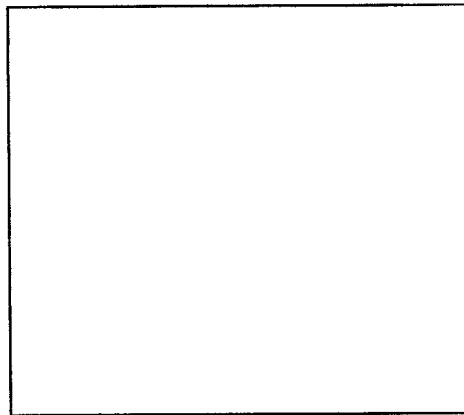




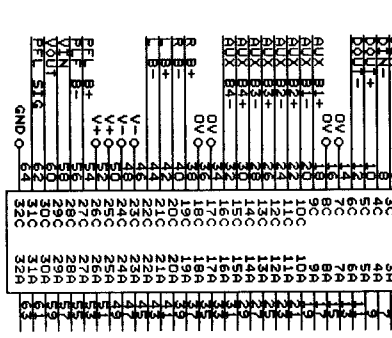
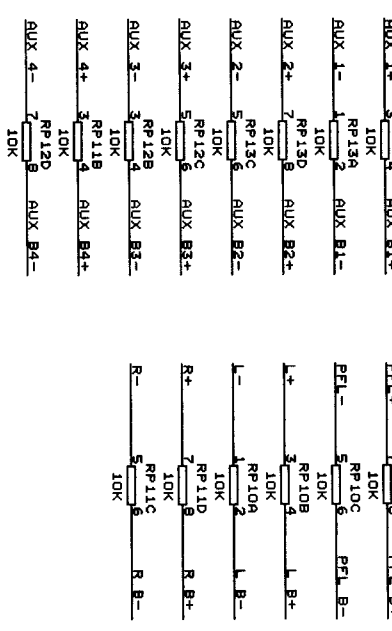
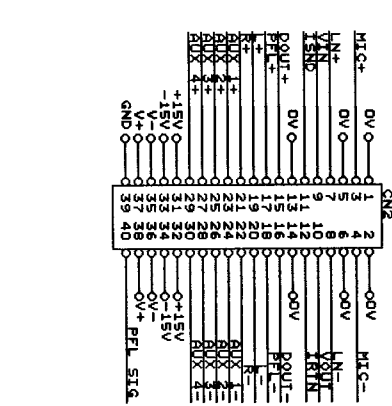
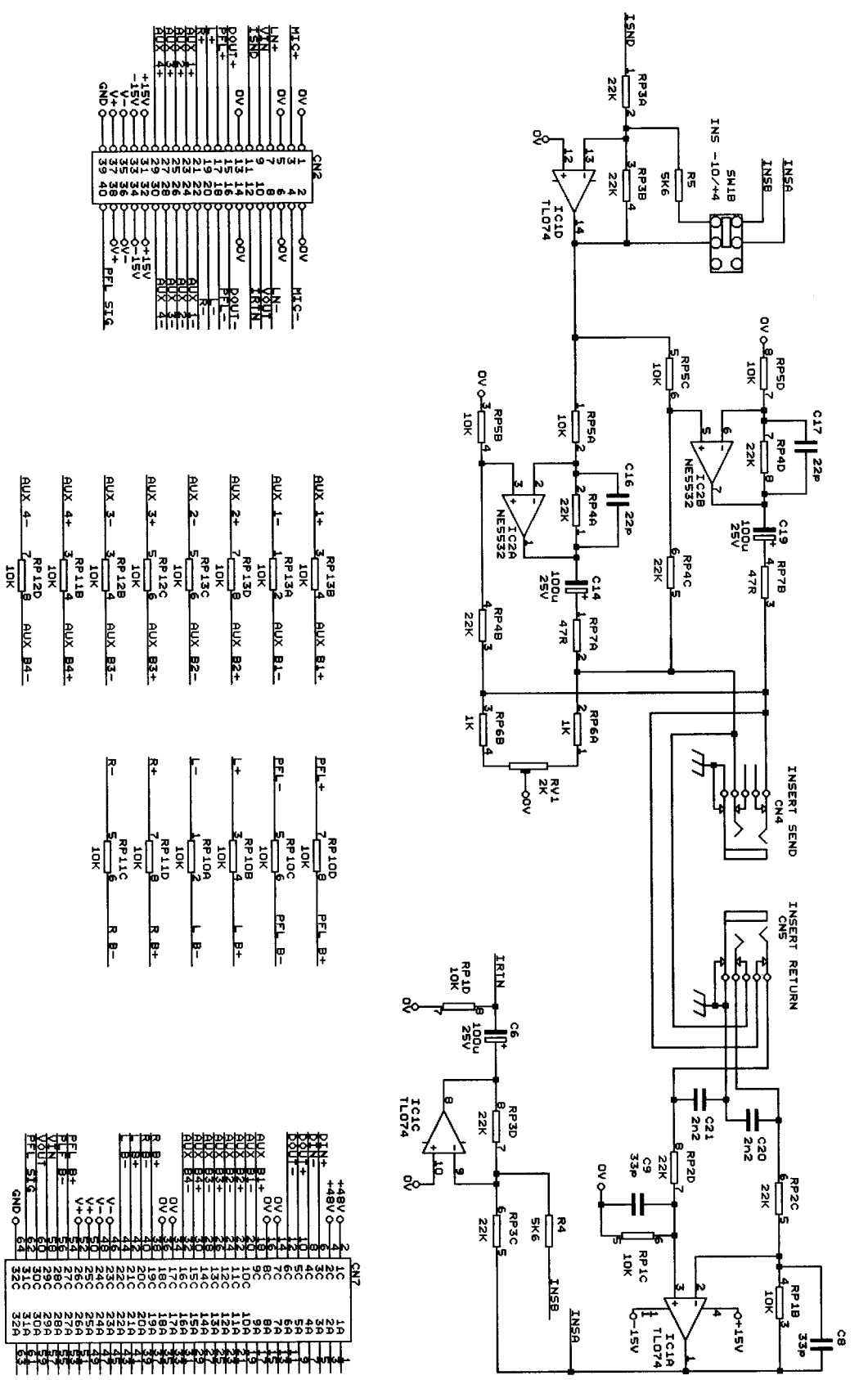
INSERT INTERNAL CONNECTORS SHEET 2

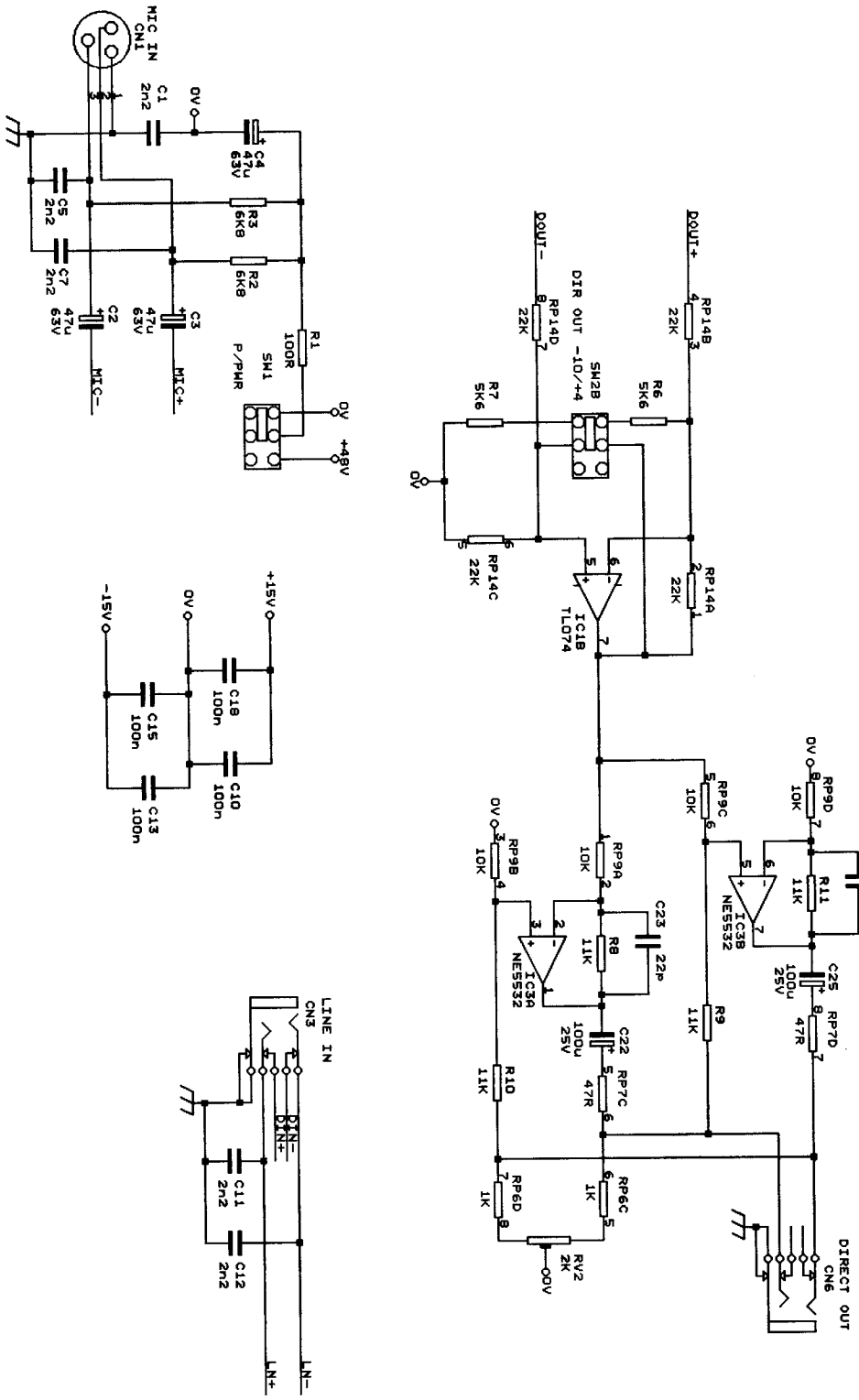


DIRECT OUT, EXTERNAL CONNECTORS SHEET 3



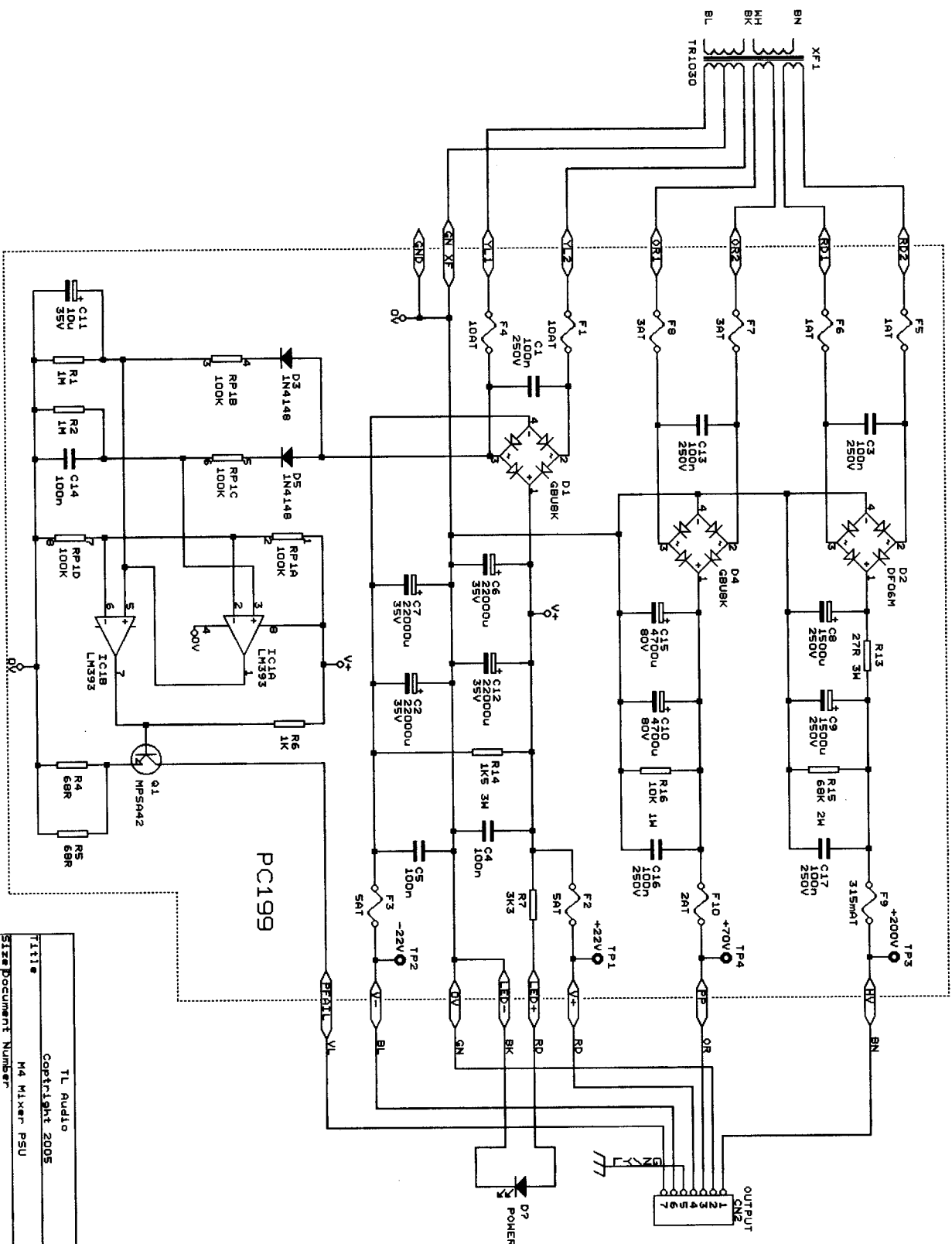
TL Audio LIMITED	
COPYRIGHT 2004	
Title M4 MIXER CHANNEL I/O	
Size	Document Number
B	CD1198
Date	March 18, 2005
Sheet 1 of 3	





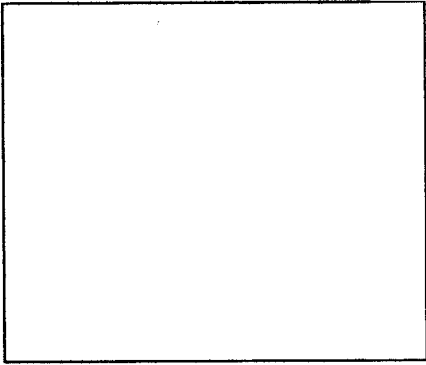
TL Audio LIMITED	
COPYRIGHT 2004	
TITLE M4 MIXER CHANNEL I/O	
SIZE	Document Number C01198
REV	B
DATE	March 18, 2005 Sheet 3 of 3

# PC181

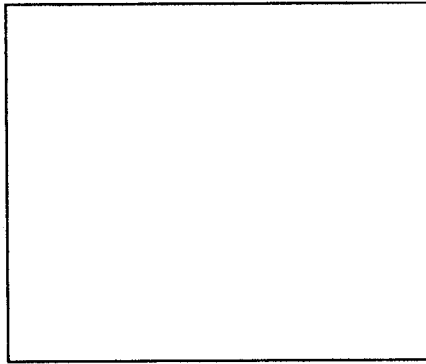


Title		TL Audio
Size Document Number		CD1199
Date		February 1, 2005 Sheet 1 of 1
REV	1	

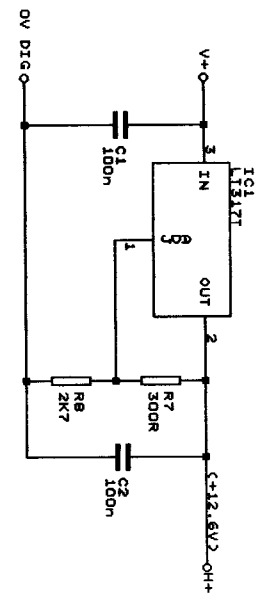
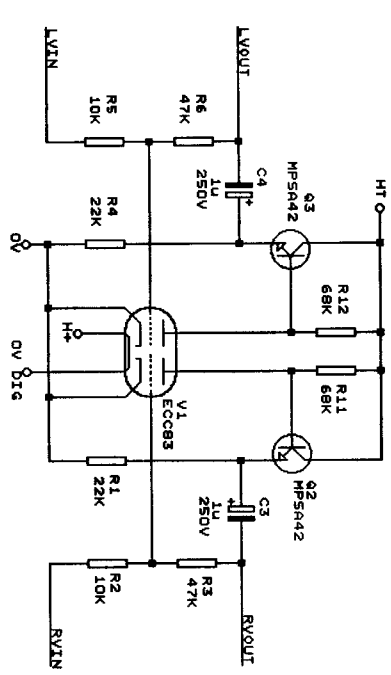
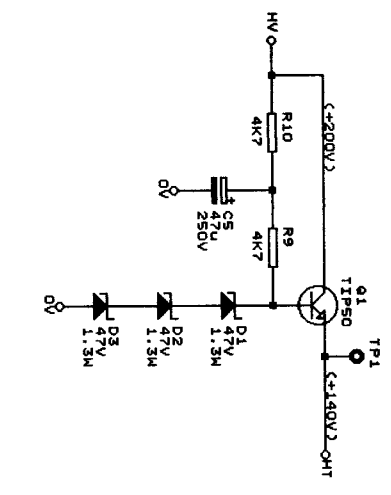
MASTER VALVE STAGES



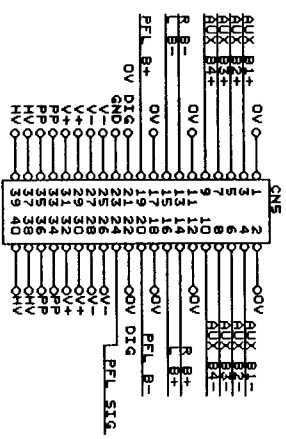
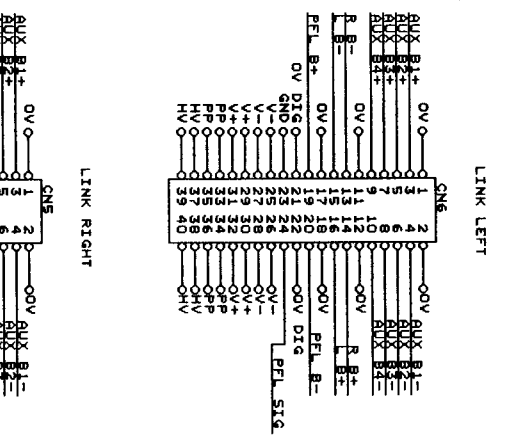
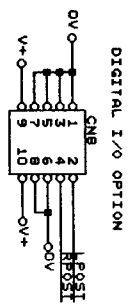
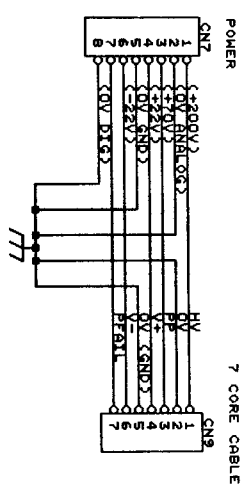
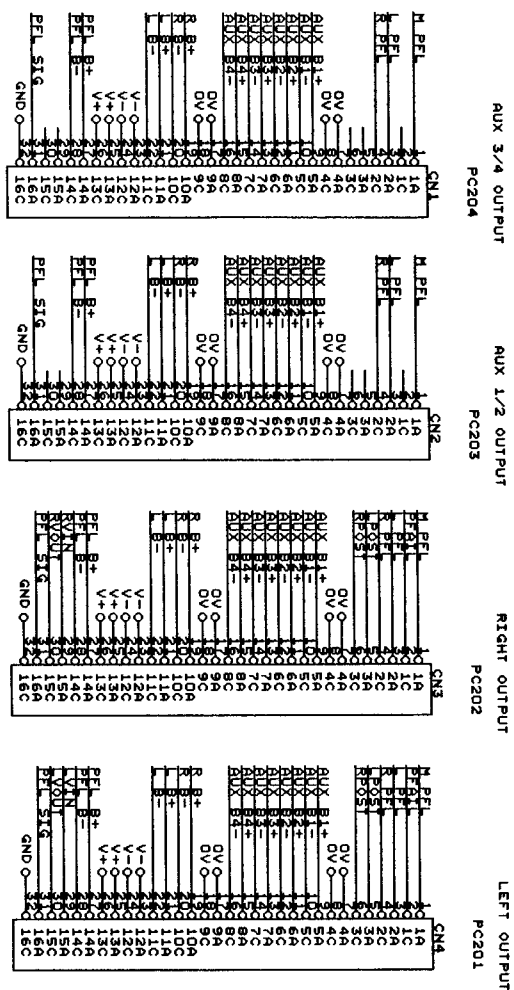
CONNECTORS

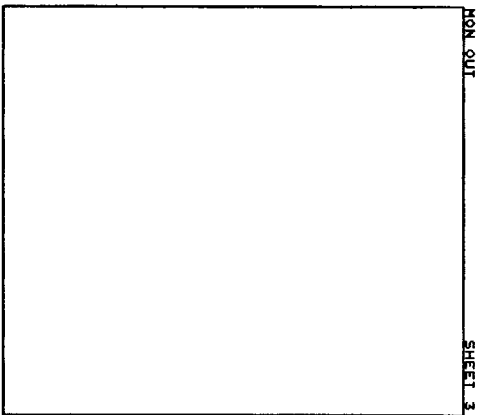
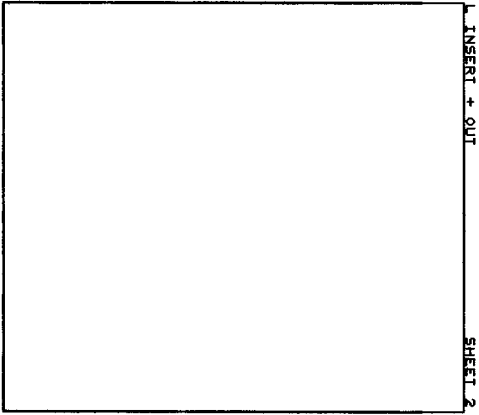


TL Audio	
COPYRIGHT 2004	
TITLE	
M4 MIXER MASTER BACKPLANE	
Size	Document Number
B	CO1200
REV	
	1
Date:	JULY 29, 2004
Sheet	1 of 3



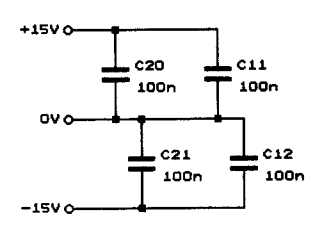
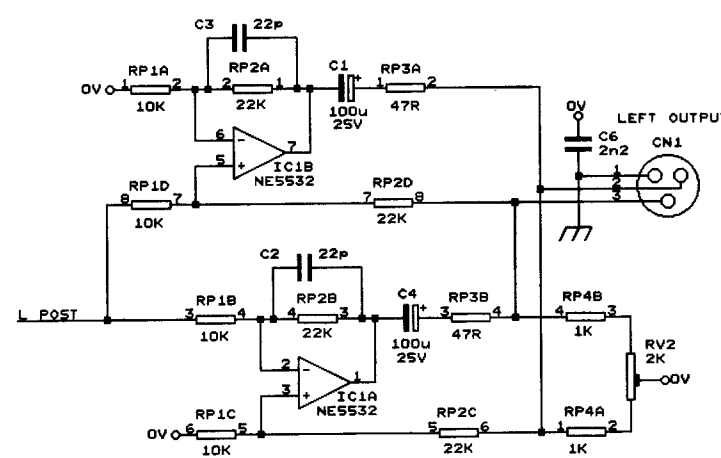
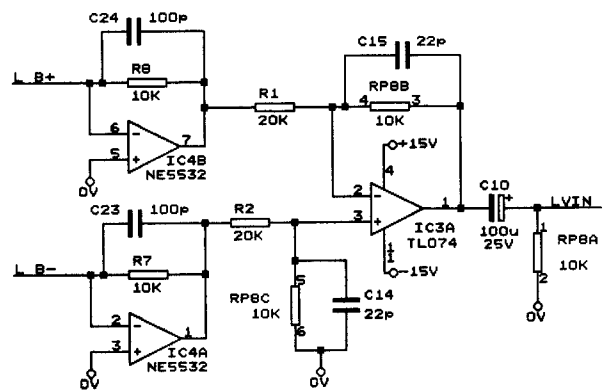
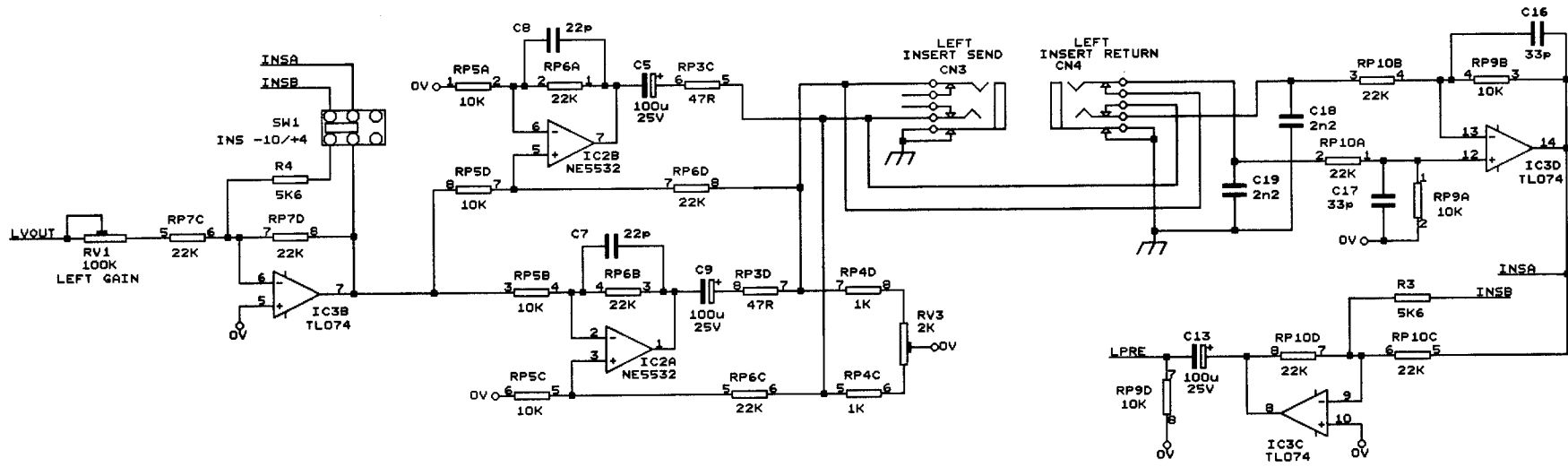
TL Audio	
COPYRIGHT 2004	
Title	M4 MIXER MASTER BACKPLANE
Size	Document Number
B	CO1200
Date:	JULY 30, 2004 Sheet 2 of 3
REV	1



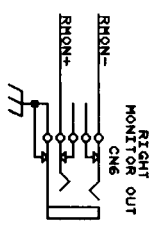
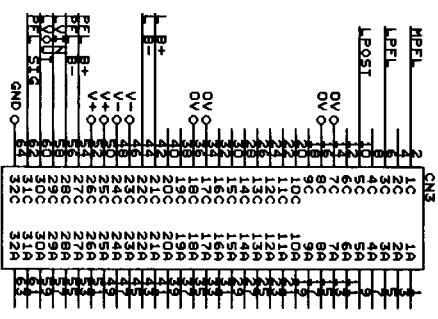
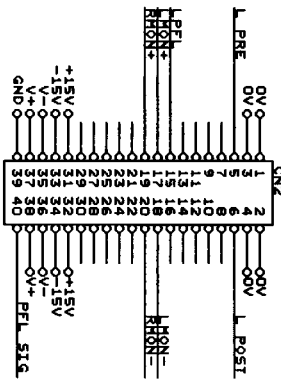
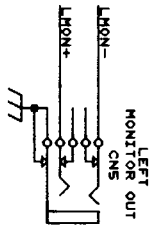
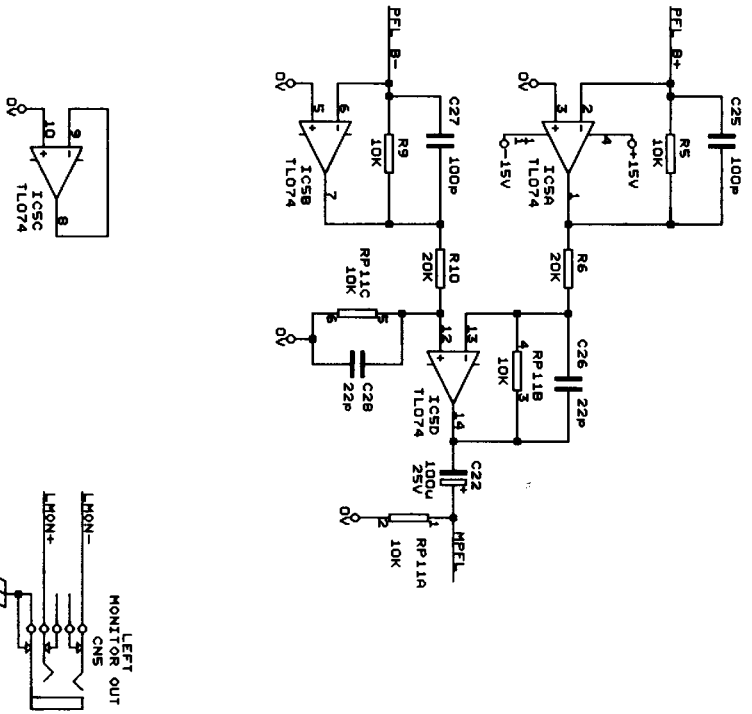


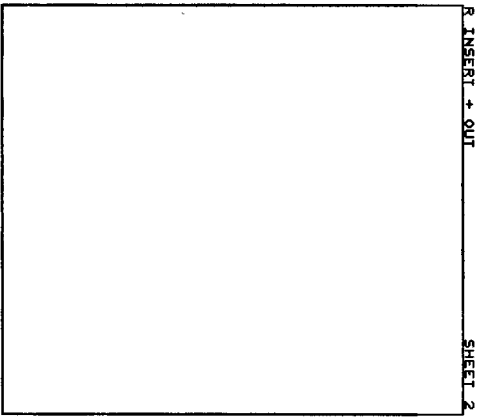
TL AUDIO LIMITED	
COPYRIGHT 2004	
Title	M4 MIXER LEFT OUTPUT
Size	B
Document Number	CD1201
Date:	March 11, 2005
Sheet	1 of 3
REV	2



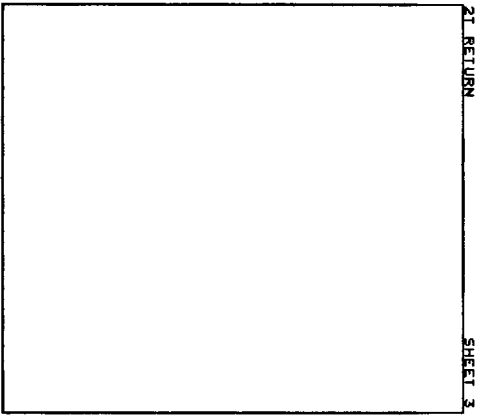


TL Audio LIMITED		
COPYRIGHT 2004		
Title M4 MIXER LEFT OUTPUT		
Size	Document Number	REV
B	CD1201	2
Date:	April 5, 2005	Sheet 2 of 3



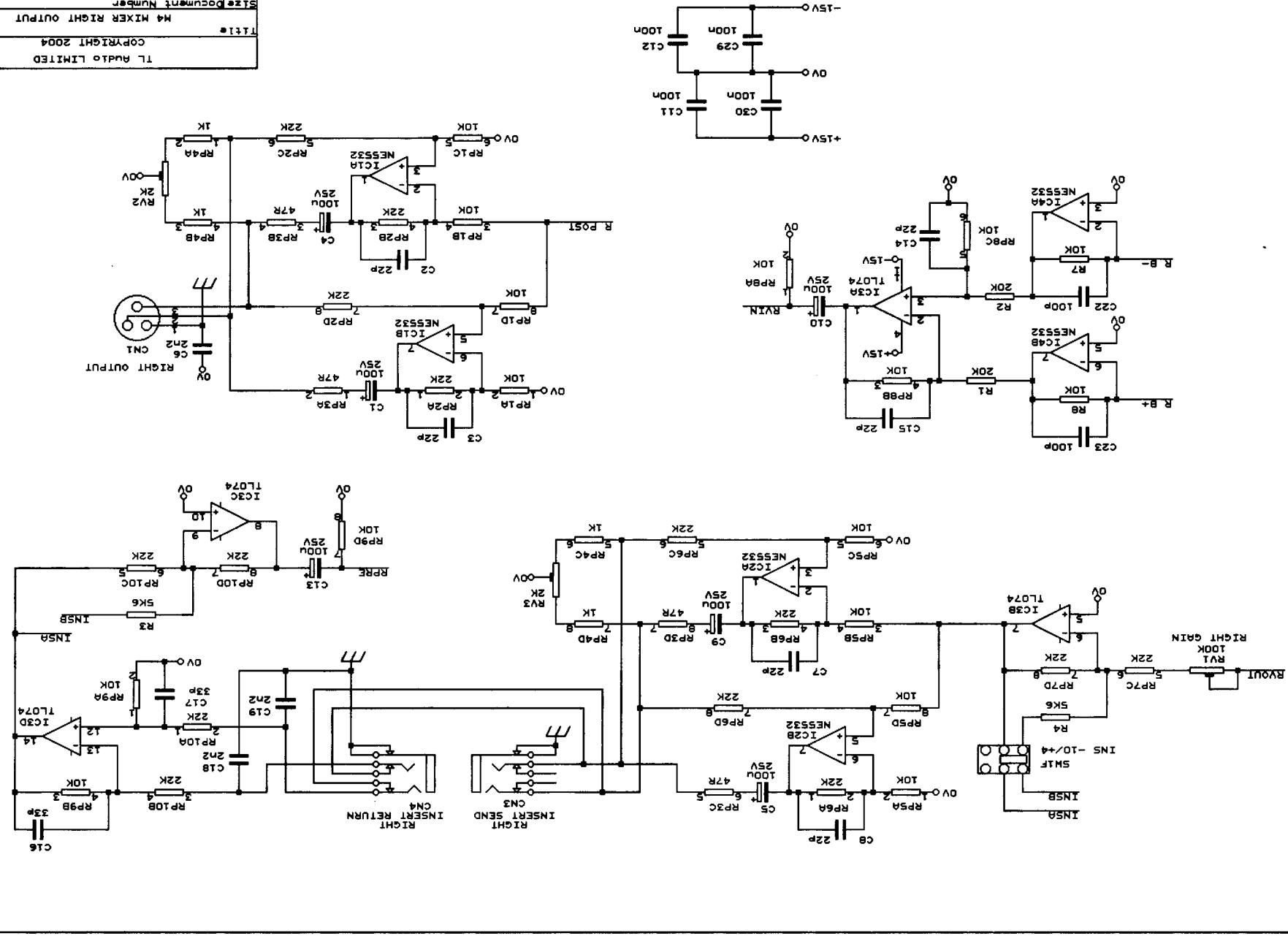


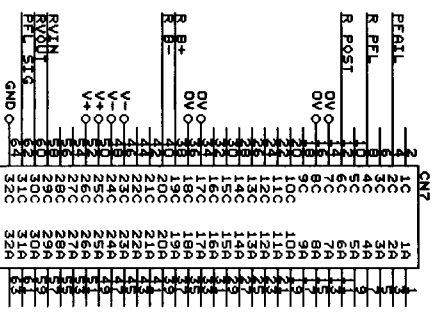
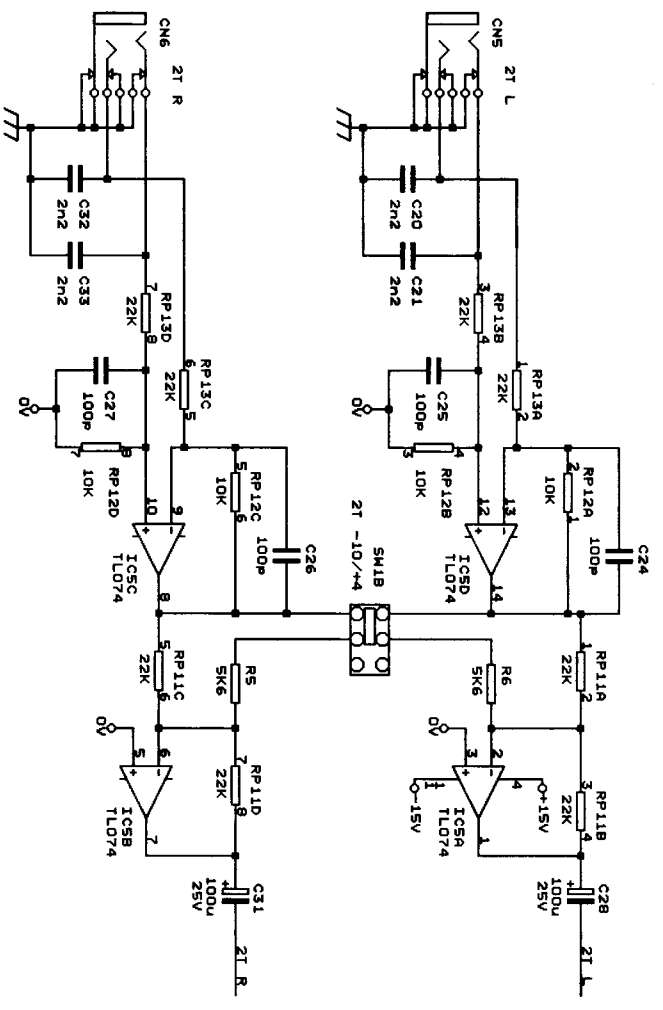
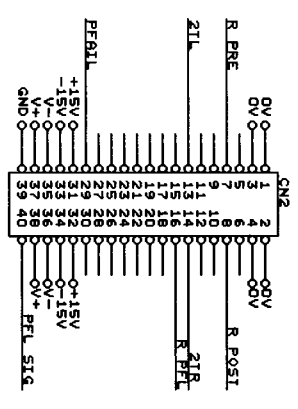
R INSERT + OUT  
SHEET 2



21 RETURN  
SHEET 3

TL Audio LIMITED	
COPYRIGHT 2004	
Title	M4 MIXER RIGHT OUTPUT
Size/Document Number	CO1202
Date	MARCH 11, 2005
Page	1 of 3
REV	2

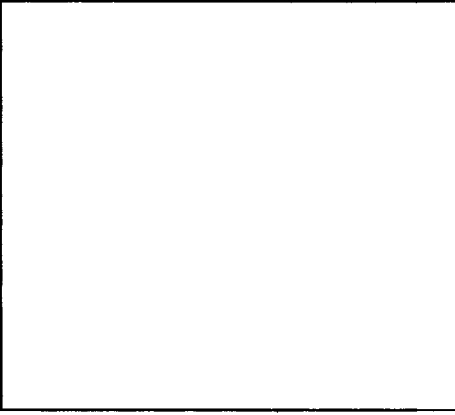




Title: TL Audio Limited  
 Copyright 2004  
 M4 MIXER RIGHT OUTPUT  
 Size Document Number: CD1202  
 Date: March 11, 2005 Sheet 3 of 3

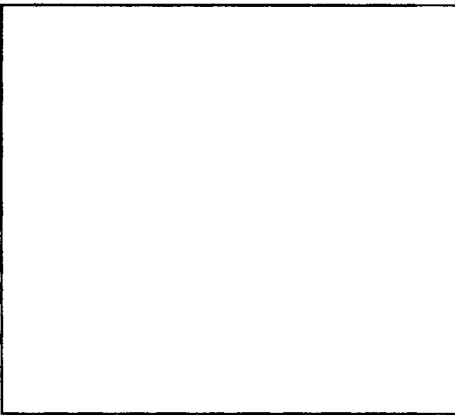
AUX 1/2 OUT

SHEET 2

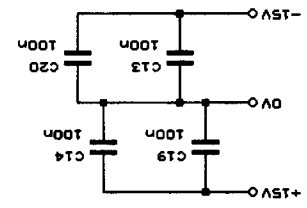
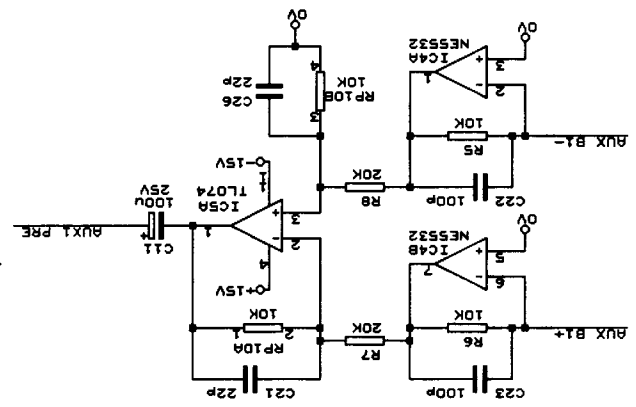
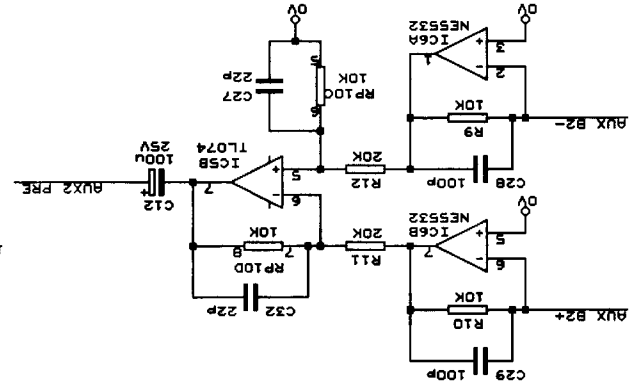
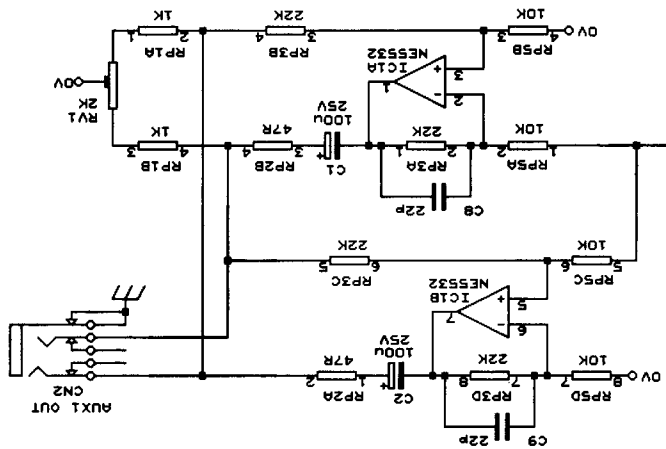
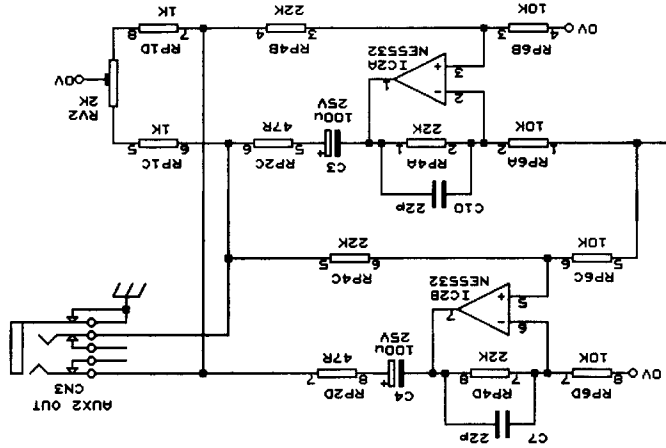


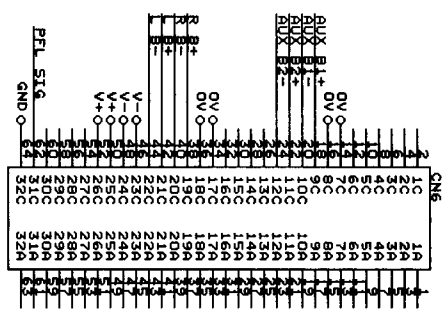
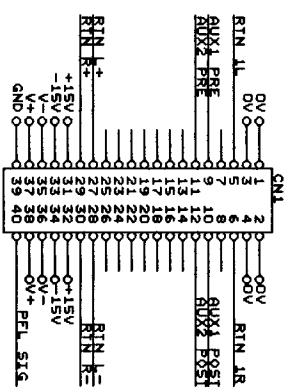
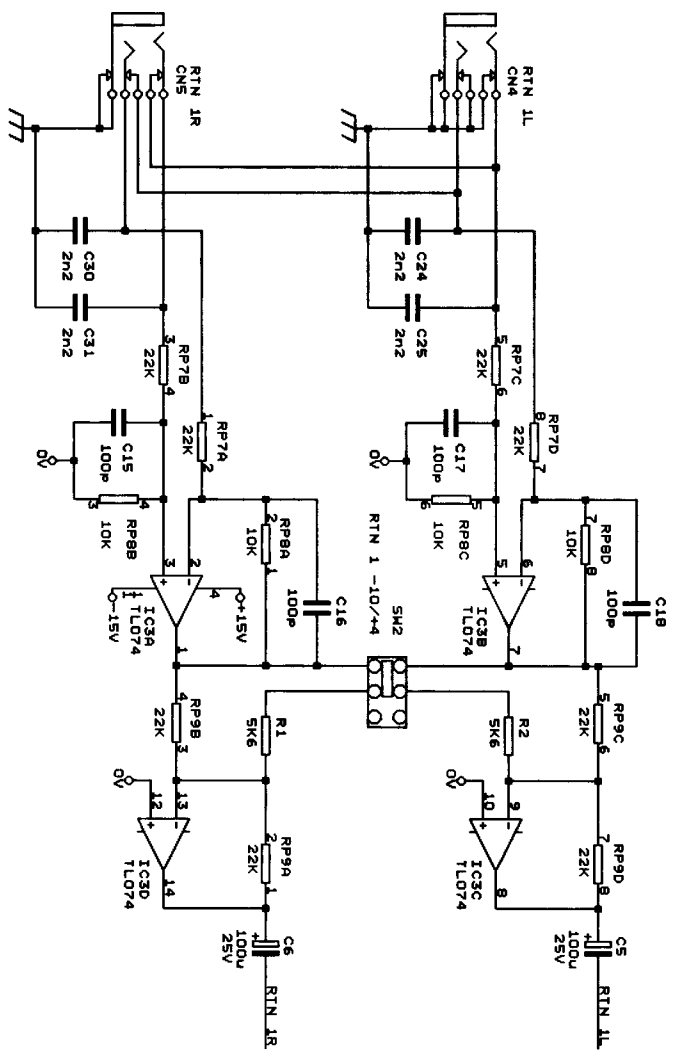
STEREO RETURN 1

SHEET 3



TL Audio Limited	
COPYRIGHT 2004	
Title M4 MIXER AUX1/2 OUTPUT	
Size	Document Number
B	CD1203
Date:	March 11, 2005
Sheet 1 of 3	
REV	2
	3



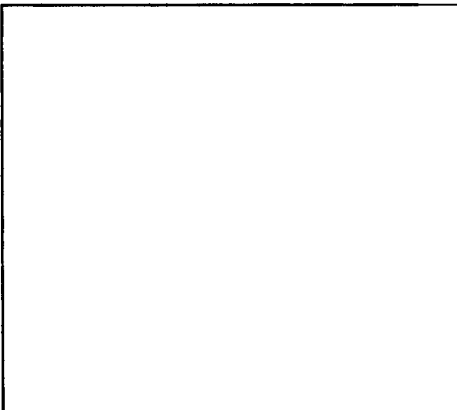


- RTN L+ 1 RP12A
- 10K 2 L B+
- RTN L- 3 RP12B
- 10K 4 L B-
- RTN R+ 5 RP12C
- 10K 6 R B+
- RTN R- 7 RP12D
- 10K 8 R B-



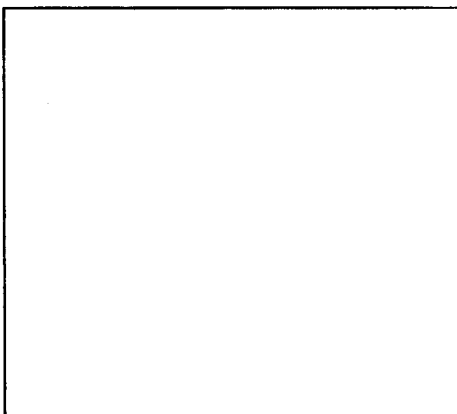
AUX 3/4 OUT

SHEET 2

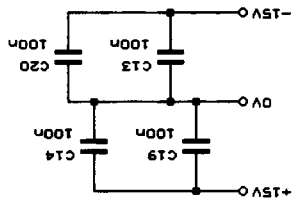
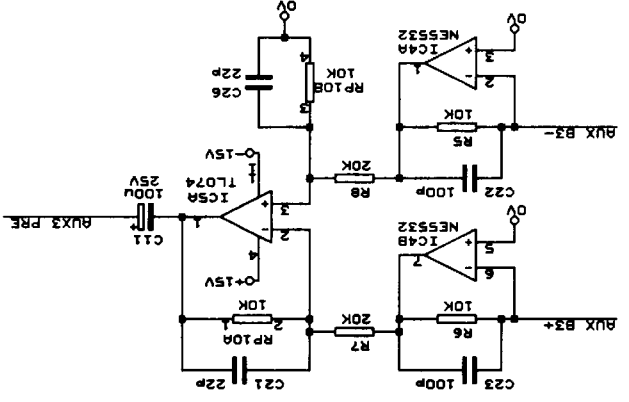
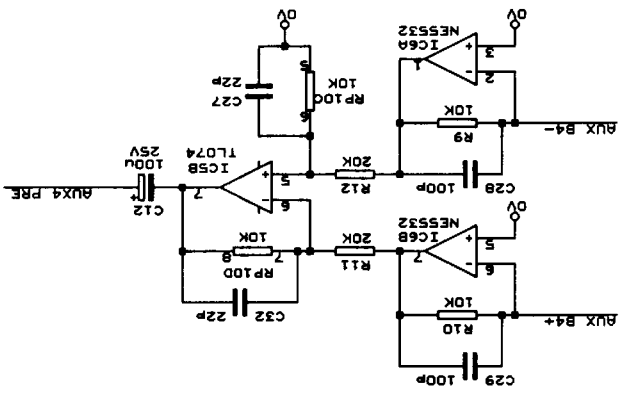
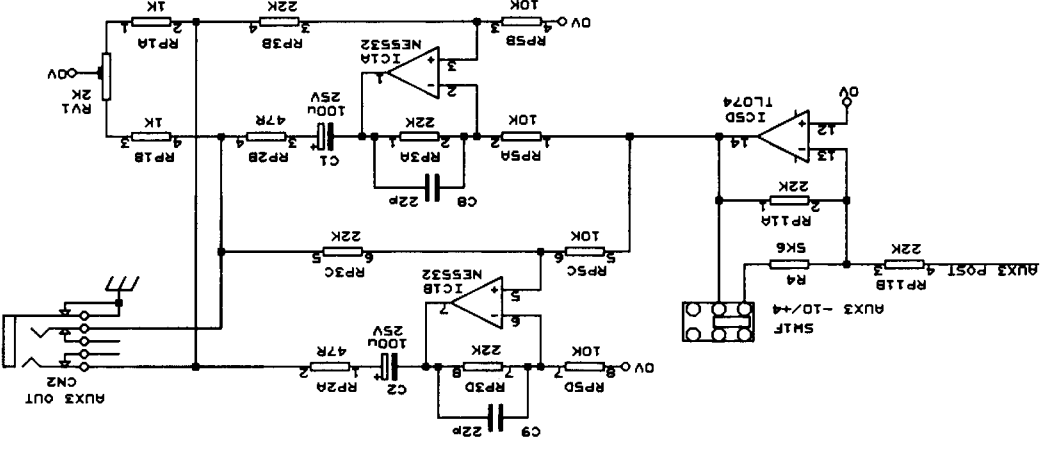
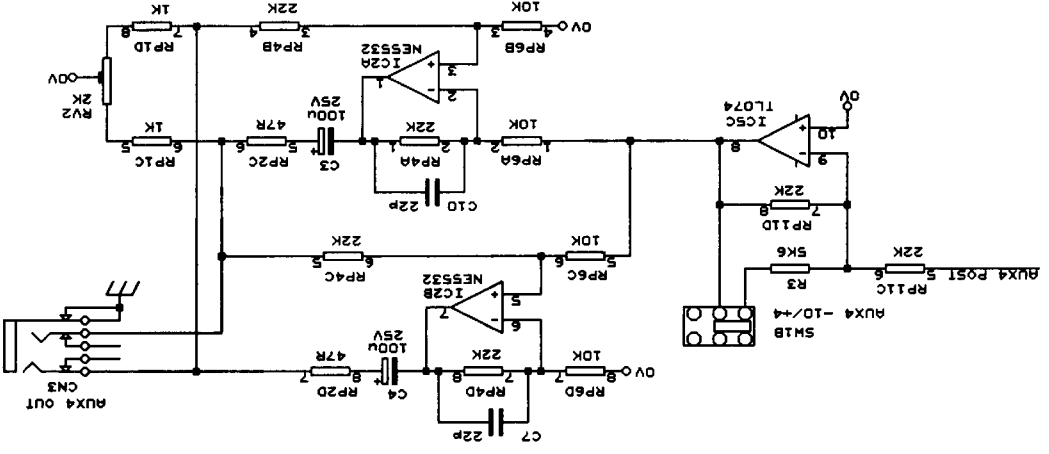


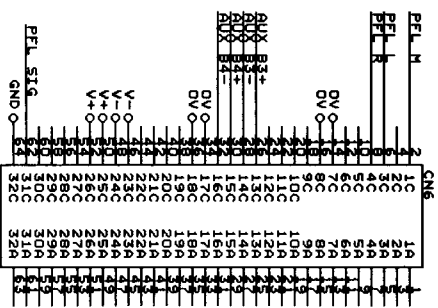
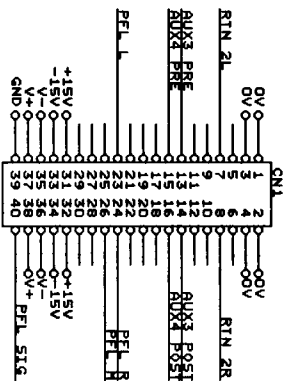
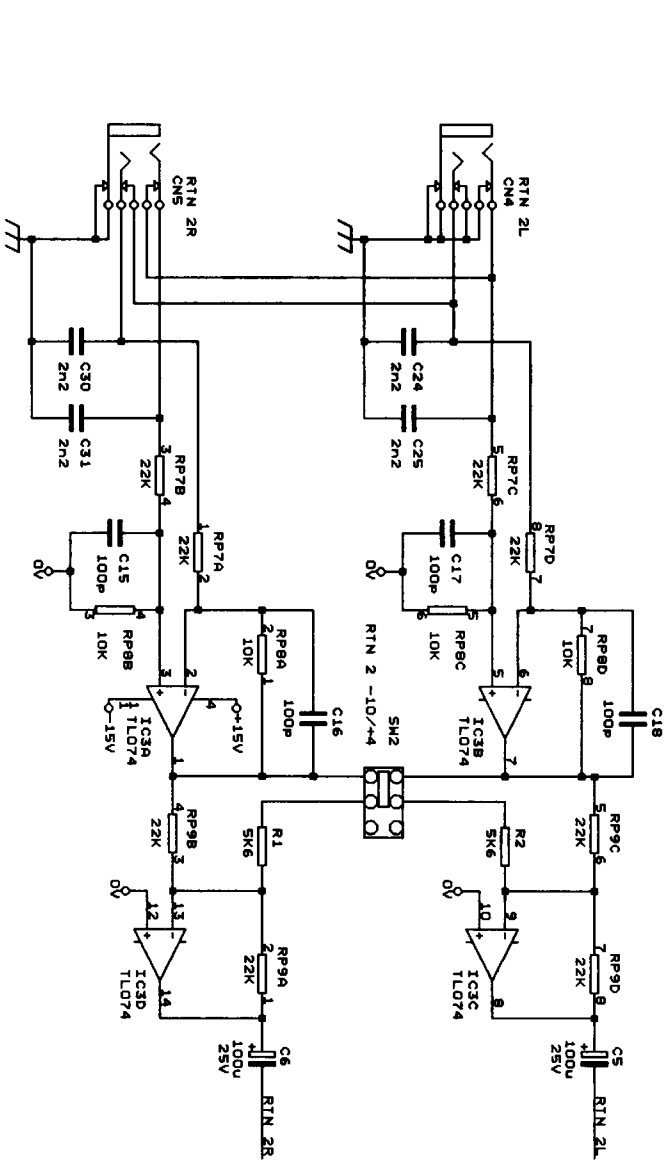
STEREO RETURN 2

SHEET 3



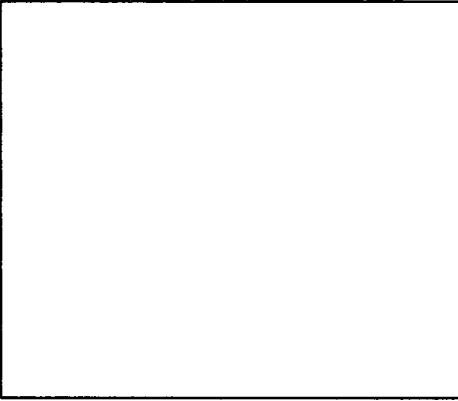
TL Audio LIMITED	
COPYRIGHT 2004	
Title M4 MIXER AUX3/4 OUTPUT	
Size Document Number	CO1204
Date:	March 11, 2005
Sheet	1 of 3
REV	2



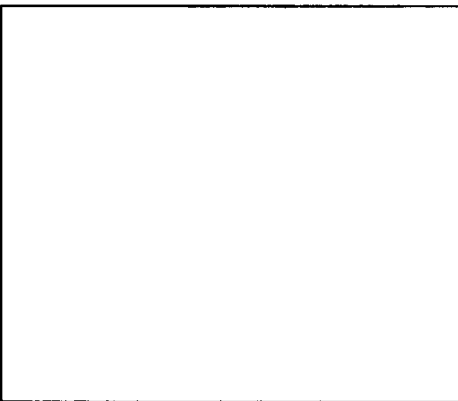


TL Audio Limited  
 COPYRIGHT 2004  
 TITLE: M4 MIXER AUX 3/4 OUTPUT  
 Size Document Number: CD1204  
 B  
 Date: March 11, 2005 Sheet 3 of 3

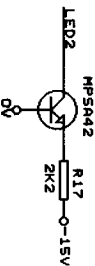
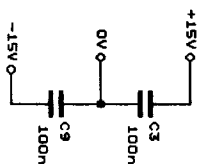
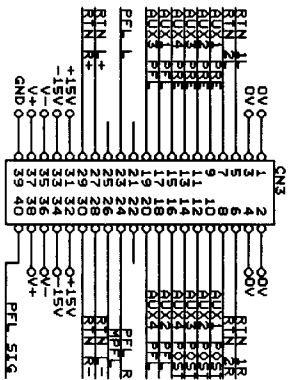
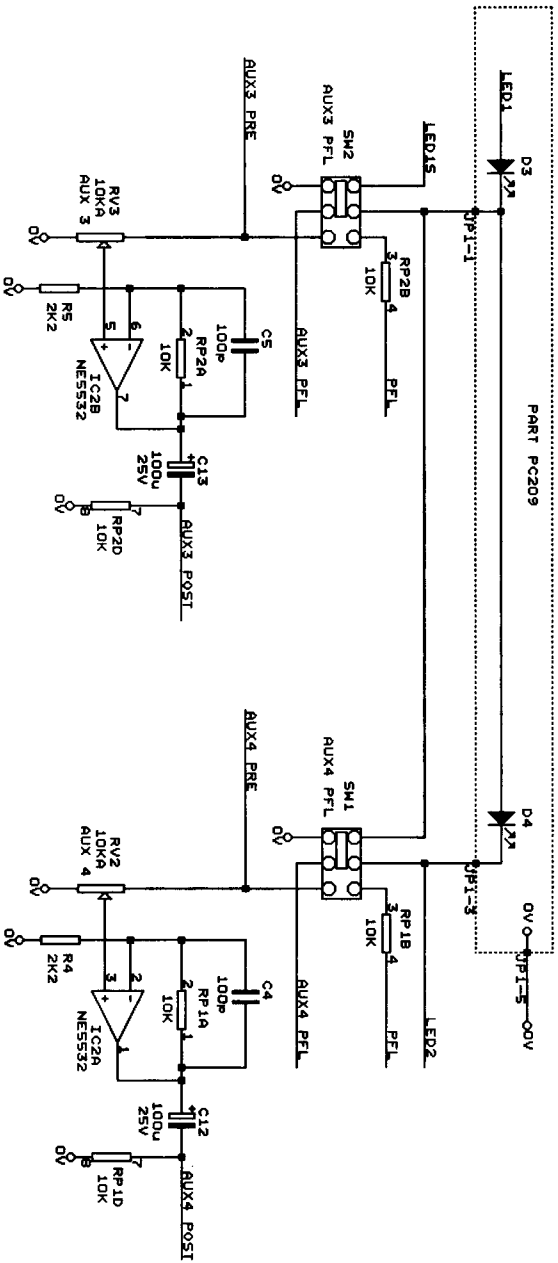
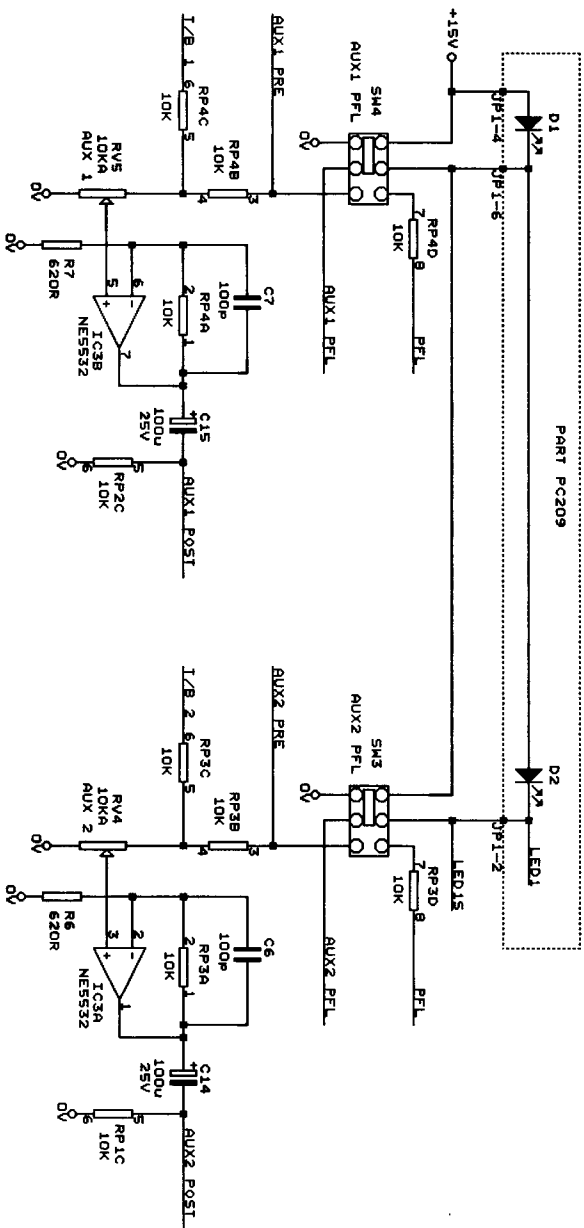
AUX 1+2, RETURN 1



REGULATORS



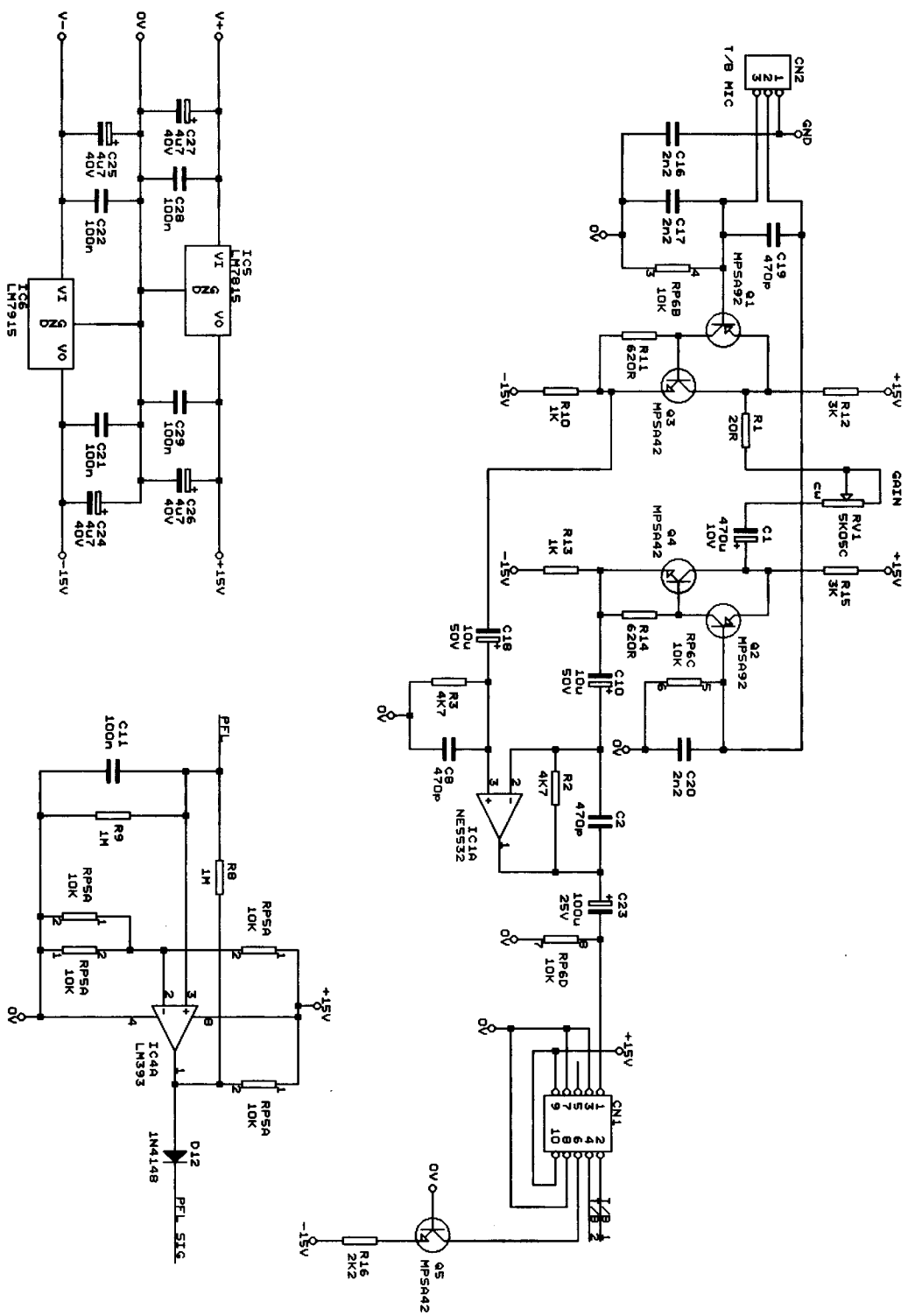
TL Audio Limited	
COPYRIGHT 2004	
Title	M4 MIXER AUX MASTER
Size/Document Number	CD1205
Date	March 17, 2005
Sheet	1 of 3
REV	2



PART PC209

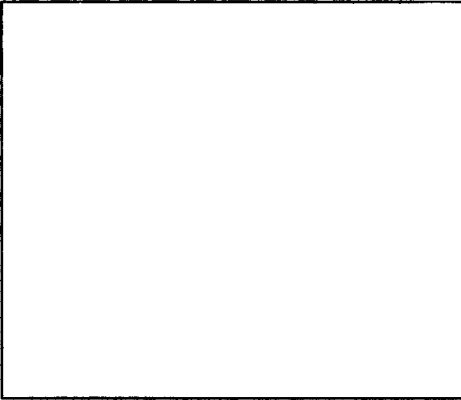
PART PC209

TL Rudio Limited  
 Copyright 2004  
 M4 Mixer Aux Master  
 Document Number CD1205  
 Date: March 17, 2005 Sheet 2 of 3

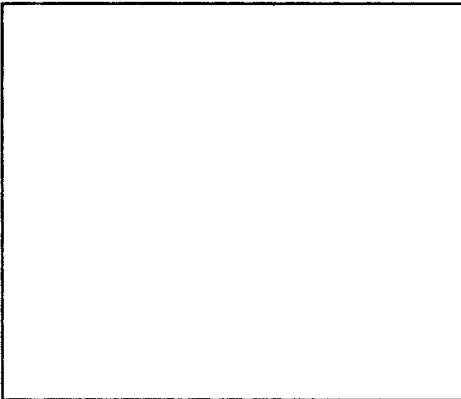


TL Audio Limited	
COPYRIGHT 2004	
TITLE	
M4 MIXER AUX MASTER	
Size Document Number	CD1205
REV	2
Date:	March 17, 2005 Sheet 3 of 3

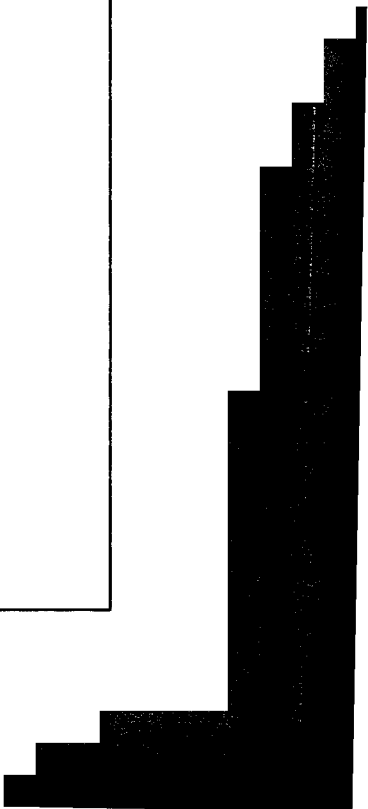
RETURN 1

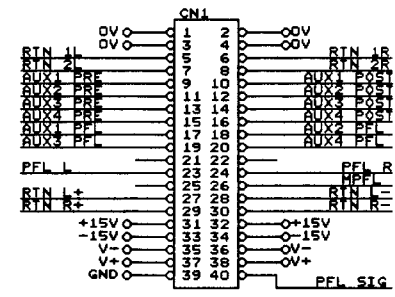
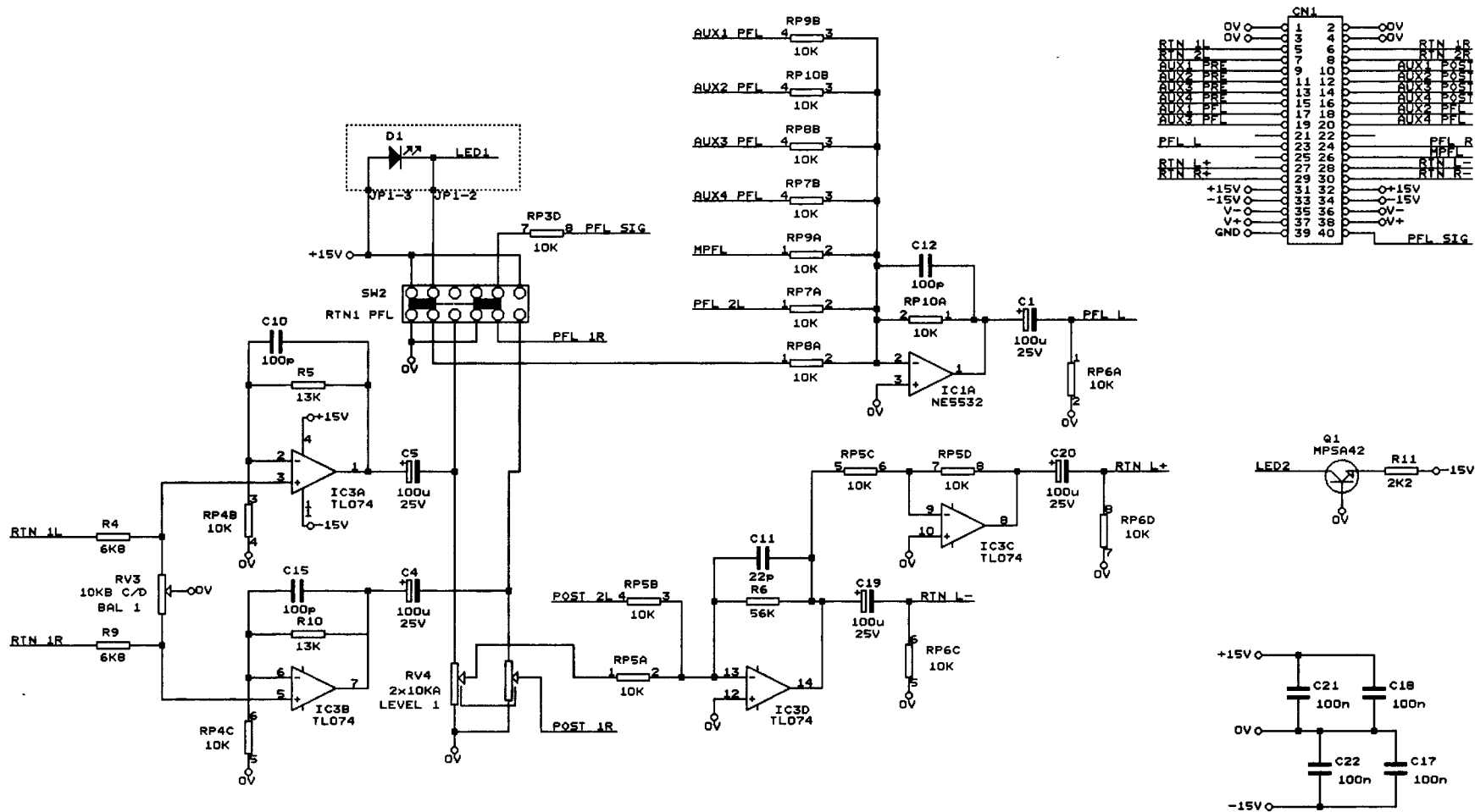


RETURN 2



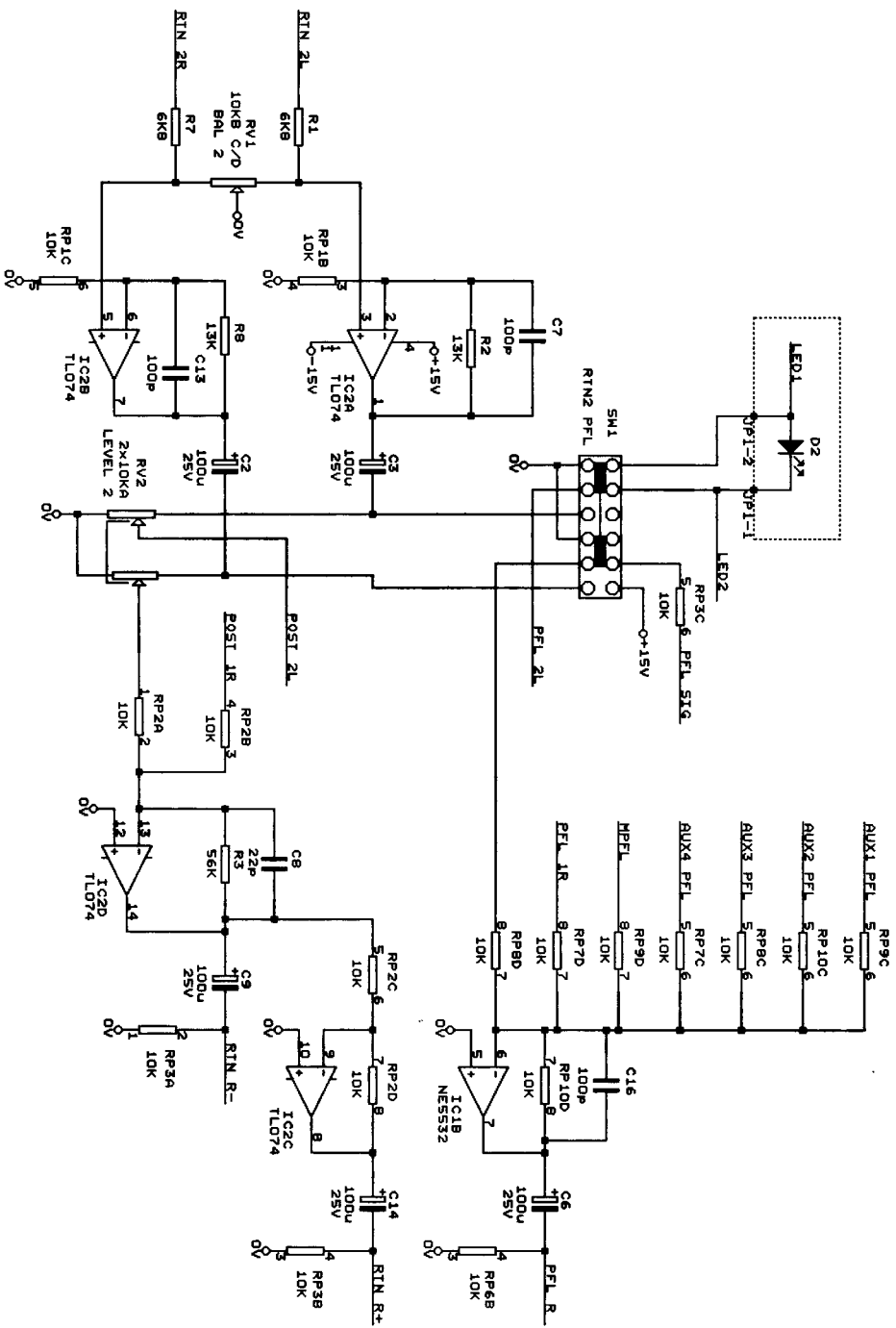
TL Audio LIMITED	
COPYRIGHT 2004	
Title	M4 MIXER STEREO RETURNS
Size Document Number	CD1206
Rev	2
Date	March 17, 2005 Sheet 1 of 3





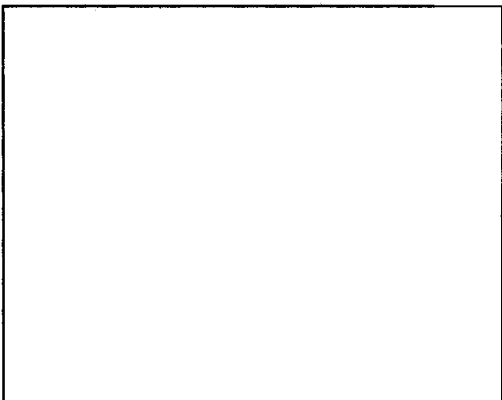
TL Audio LIMITED COPYRIGHT 2004	
Title M4 MIXER STEREO RETURNS	
Size Document Number B	REV 2
Date: March 17, 2005 Sheet 2 of 3	



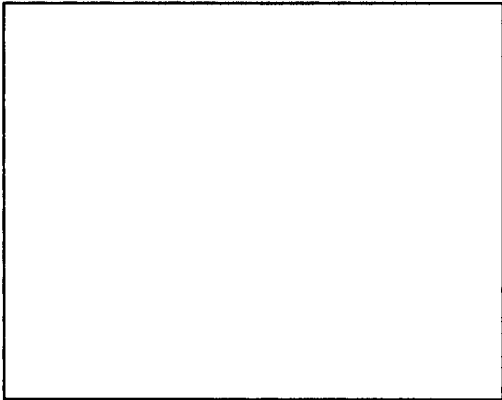


TL Audio LIMITED	
COPYRIGHT 2004	
TITLE M4 MIXER STEREO RETURNS	
Size Document Number	CD1206
REV	2
Date:	March 17, 2005 Sheet 3 of 3

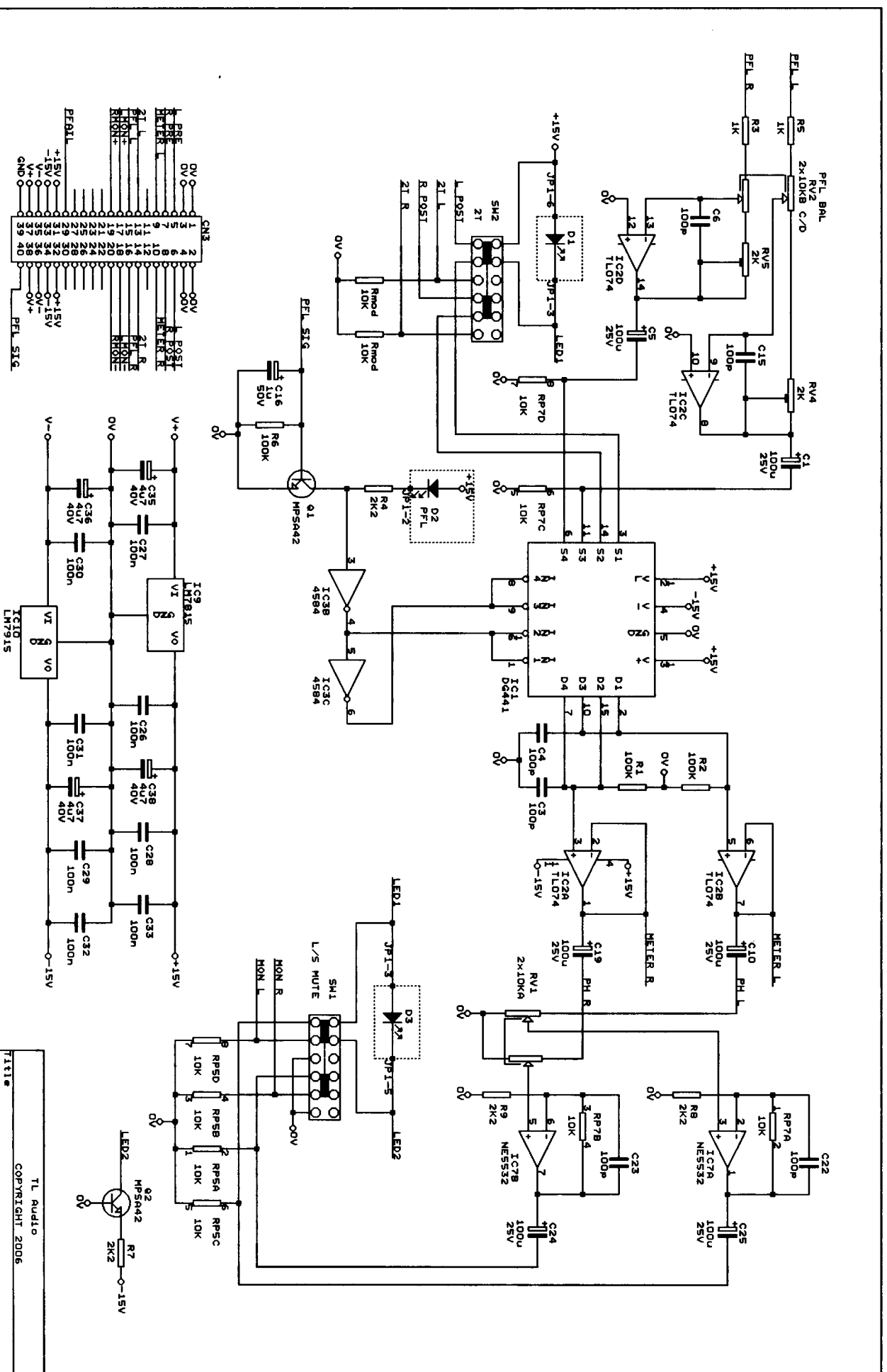
PEL SWITCHING



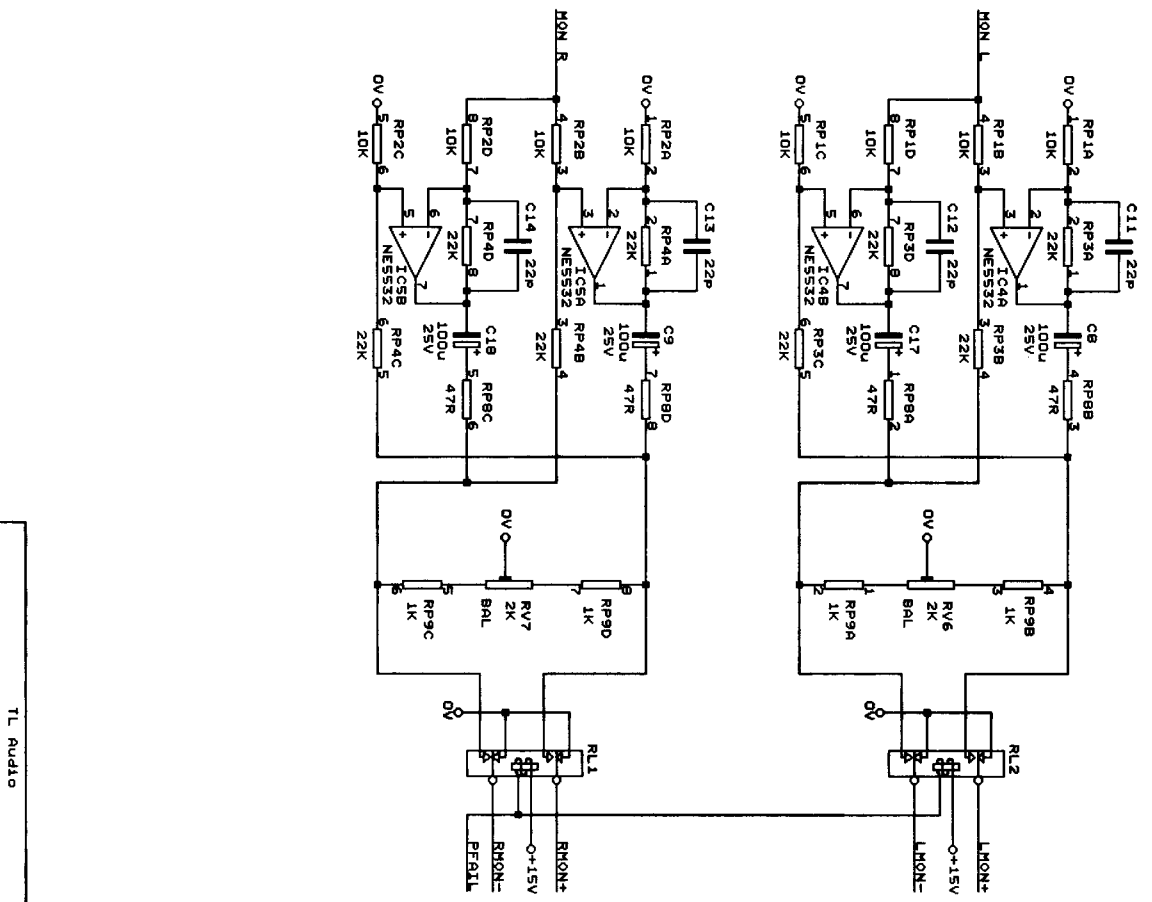
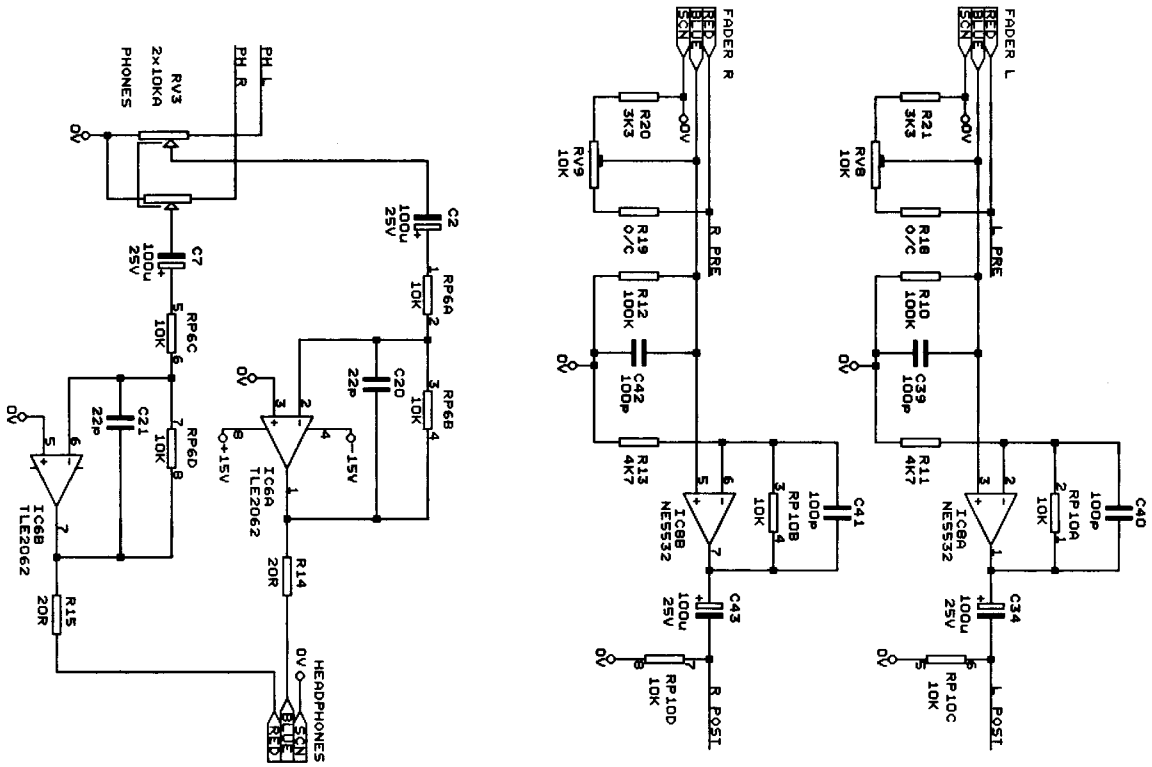
MONITOR + PHONES OUTPUT



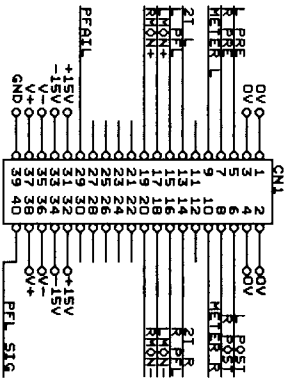
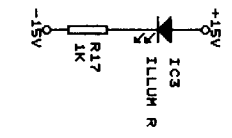
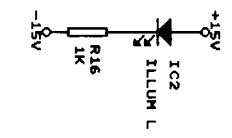
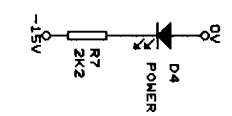
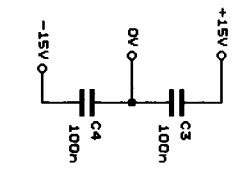
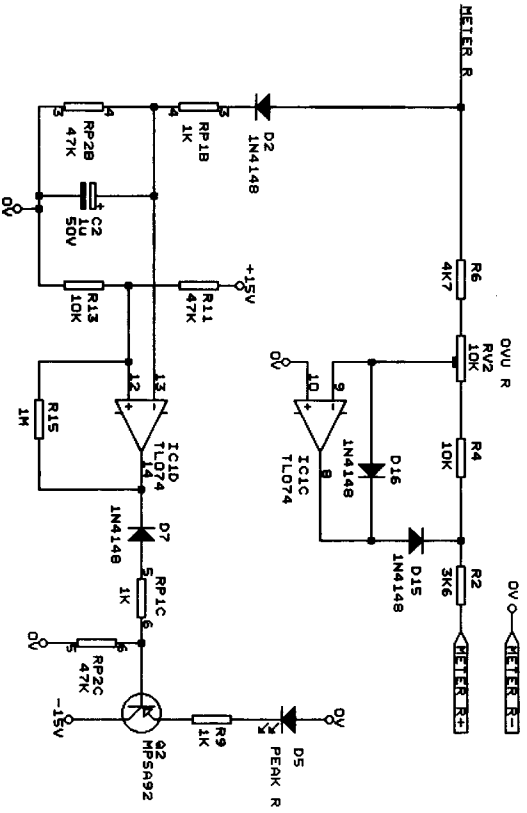
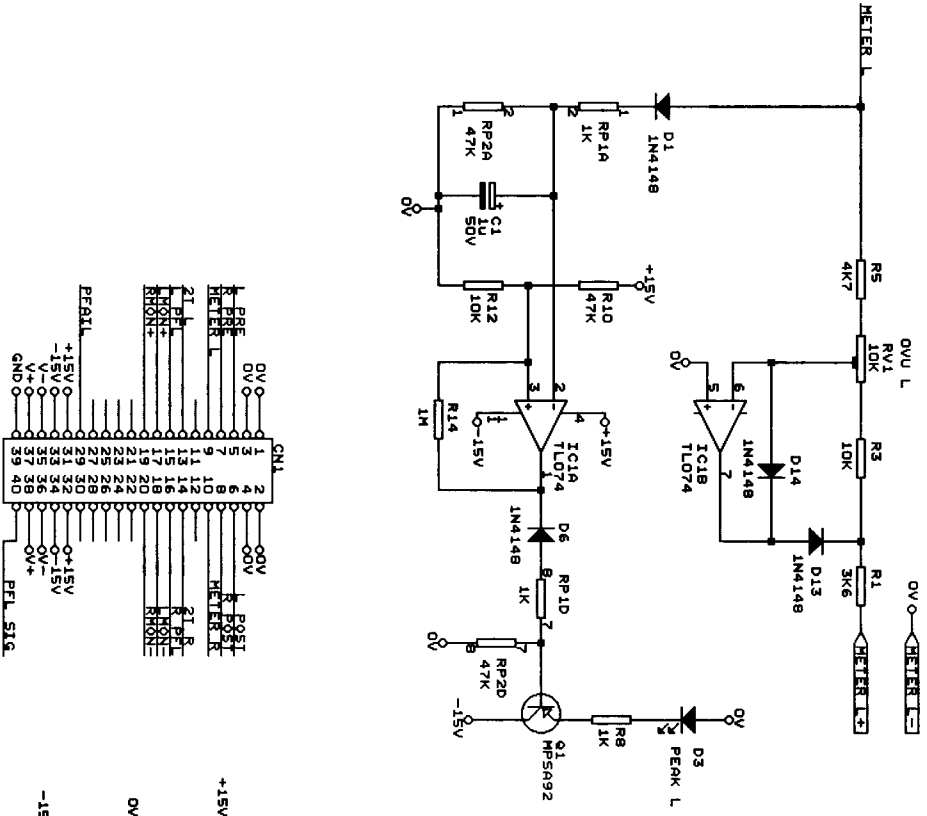
TL Audio	
COPYRIGHT 2006	
TITLE	
M4 MIXER MONITOR MASTER	
Size Document Number	CD1207
REV	4
Date: FEBRUARY 17, 2006	Sheet 1 of 3



TL Audio  
 Copyright 2006  
 Title: H4 MIXER MONITOR MASTER  
 Size Document Number: CD1207  
 REV: 4  
 Date: FEBRUARY 17, 2006 Sheet 2 of 3



TL Audio  
 COPYRIGHT 2006  
 TITLE: M4 MIXER MONITOR MASTER  
 Size Document Number: CD1207  
 B REV 4  
 Date: FEBRUARY 17, 2006 Sheet 3 of 3



TL Audio  
 COPYRIGHT 2004  
 TITLE H4 MIXER METERING  
 Size Document Number C01208  
 Date: March 17, 2005 Sheet 1 of 2