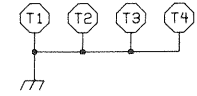
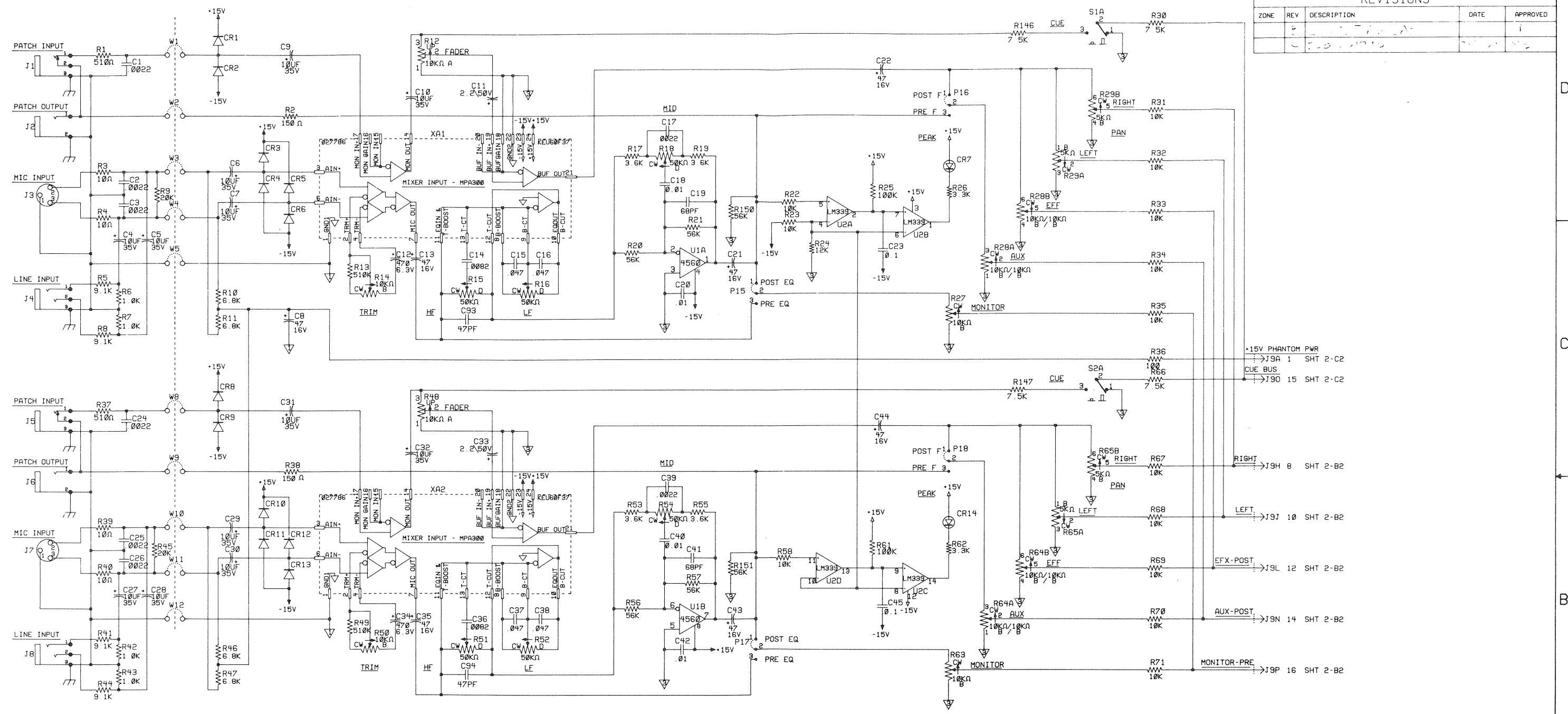
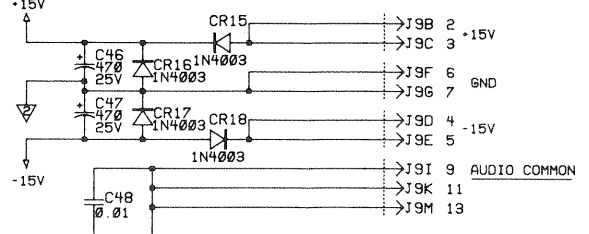


REVISIONS				
ZONE	REV	DESCRIPTION	DATE	APPROVED



- NOTES (U.O.S.)
- ALL RESISTORS ARE IN OHMS 1/4W 5%.
 - CAPACITORS ARE IN UF.
 - ALL DIODES ARE 1N4448.

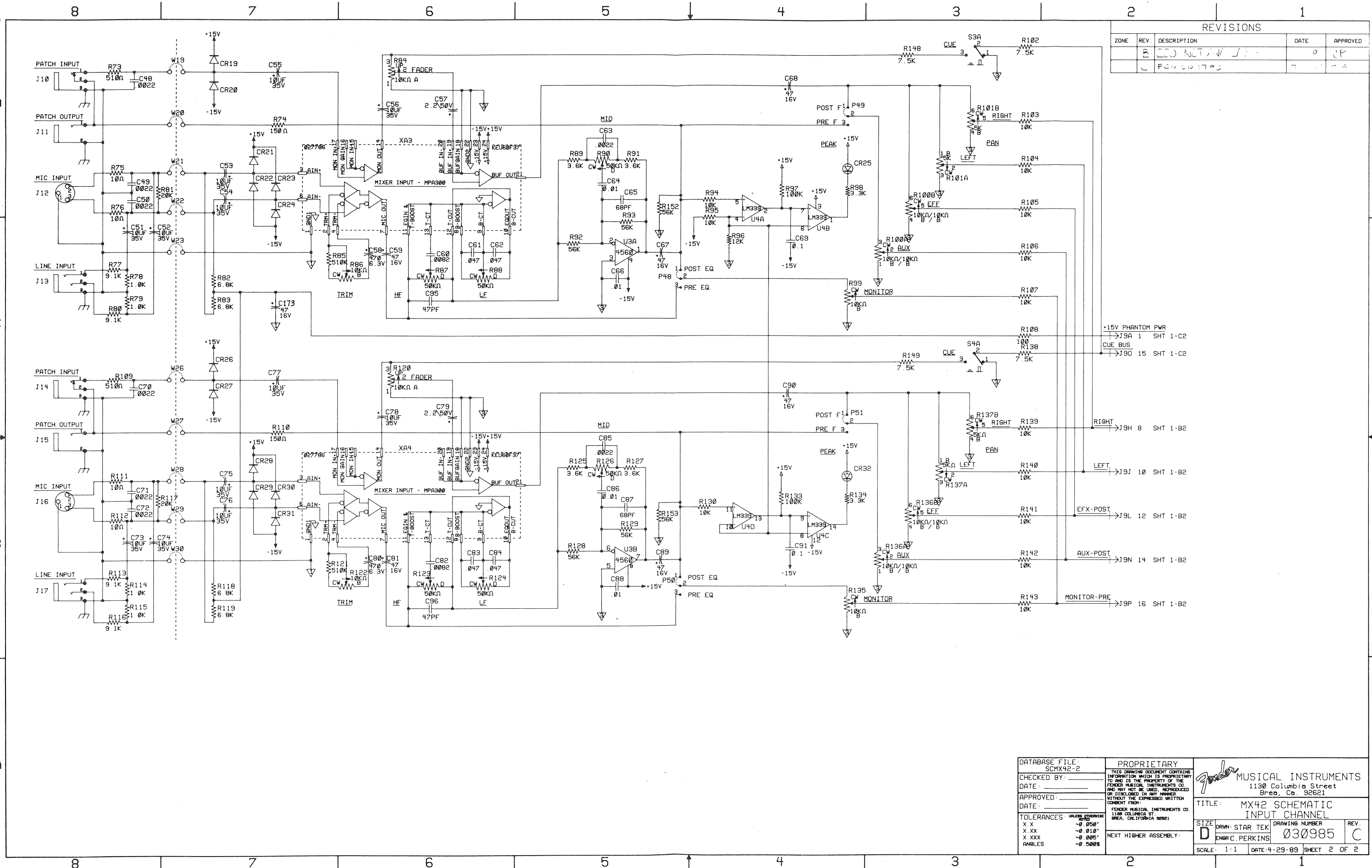
DESIGNATORS			
UNUSED	LAST USED	UNUSED	LAST USED
C 97 - 172	C173	S	S4
CR	CR32	T	T4
J	J17	U	U4
L		VR	
Q		W 6.7, 13-18	W30
P1-14, 19-47	P51	Y	
R	R153	XA	XA4



DATABASE FILE: SCMX42-1 CHECKED BY: DATE: APPROVED: DATE:	PROPRIETARY THIS DRAWING DOCUMENT CONTAINS INFORMATION WHICH IS PROPRIETARY TO AND IS THE PROPERTY OF THE FENDER MUSICAL INSTRUMENTS CO. AND MAY NOT BE USED, REPRODUCED OR DISCLOSED IN ANY MANNER WITHOUT THE EXPRESSED WRITTEN CONSENT FROM: FENDER MUSICAL INSTRUMENTS CO. 1130 COLUMBIA ST. BREA, CALIFORNIA 92621	TITLE: MX42 SCHEMATIC INPUT CHANNEL SIZE: D DRAWN: STAR TEK ENGR: C. PERKINS SCALE: 1:1 DATE: 4-29-89 SHEET: 1 OF 2	1130 COLUMBIA STREET BREA, CA. 92621 TITLE: MX42 SCHEMATIC INPUT CHANNEL DRAWN: STAR TEK ENGR: C. PERKINS DATE: 4-29-89 SHEET: 1 OF 2
--	--	---	---

REVISIONS

ZONE	REV.	DESCRIPTION	DATE	APPROVED
B	1	ADD NOTATION		CP
C	1	REVISED		

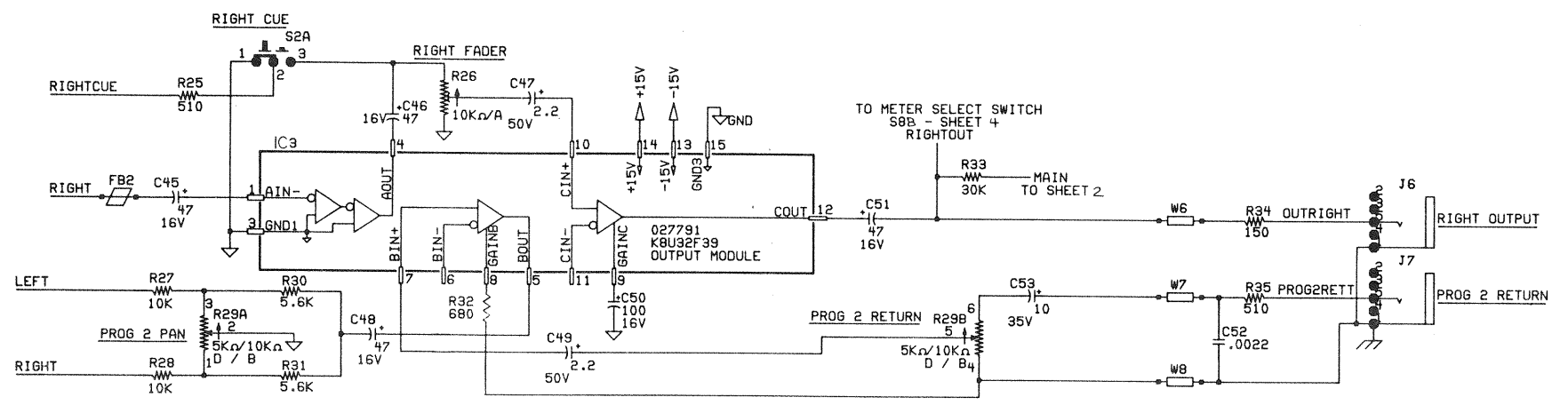
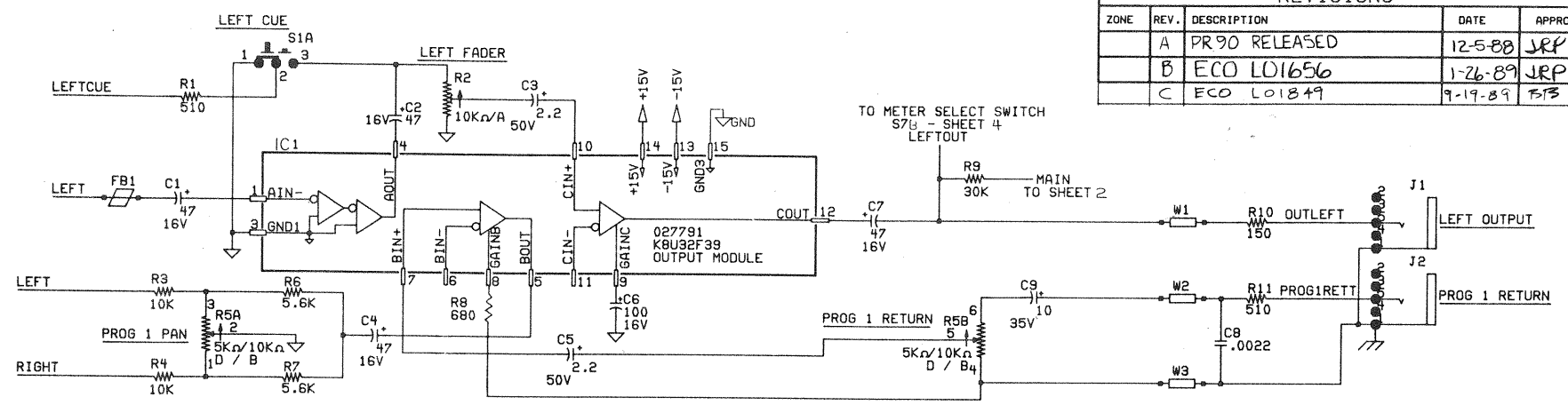


DATABASE FILE: SCHX42-2 CHECKED BY: DATE: APPROVED: DATE: TOLERANCES: UNLESS OTHERWISE NOTED X .X ~0.050" X .XX ~0.010" X .XXX ~0.005" ANGLES ~0.500°	PROPRIETARY THIS DRAWING DOCUMENT CONTAINS INFORMATION WHICH IS PROPRIETARY TO AND IS THE PROPERTY OF THE FENDER MUSICAL INSTRUMENTS CO. AND MAY NOT BE USED, REPRODUCED OR DISCLOSED IN ANY MANNER WITHOUT THE EXPRESSED WRITTEN CONSENT FROM FENDER MUSICAL INSTRUMENTS CO. 1188 COLUMBIA ST. BREA, CALIFORNIA 92621	Fender MUSICAL INSTRUMENTS 1130 Columbia Street Brea, Ca. 92621 TITLE: MX42 SCHEMATIC INPUT CHANNEL SIZE: DRAWN: STAR TEK DRAWING NUMBER: 030985 REV. C ENGR: C. PERKINS SCALE: 1:1 DATE: 4-29-89 SHEET 2 OF 2
--	---	---

002330

8 7 6 5 4 3 2 1

REVISIONS				
ZONE	REV.	DESCRIPTION	DATE	APPROVED
	A	PR 90 RELEASED	12-5-88	JRP
	B	ECO L01656	1-26-89	JRP
	C	ECO L01849	9-19-89	FJB



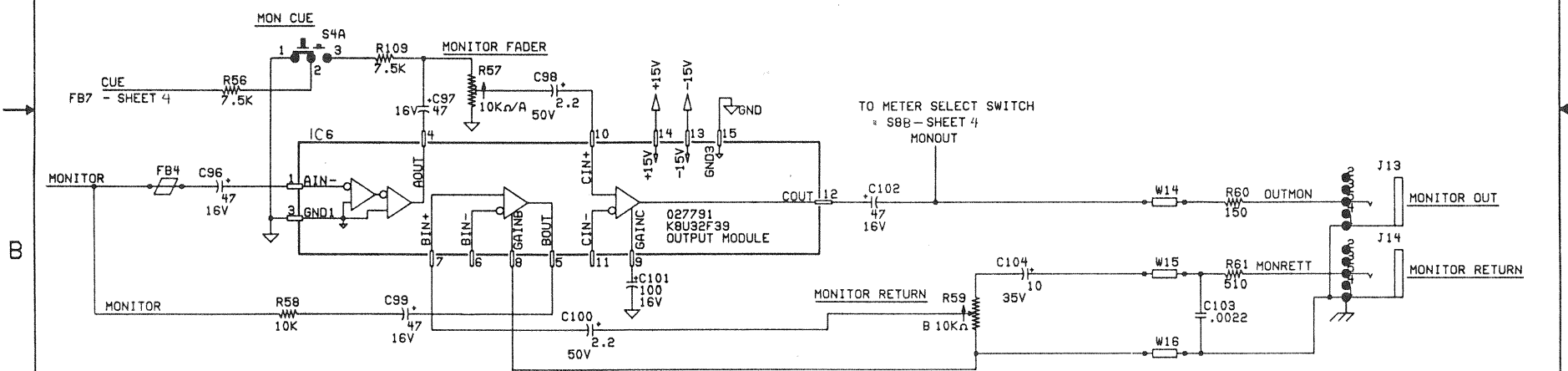
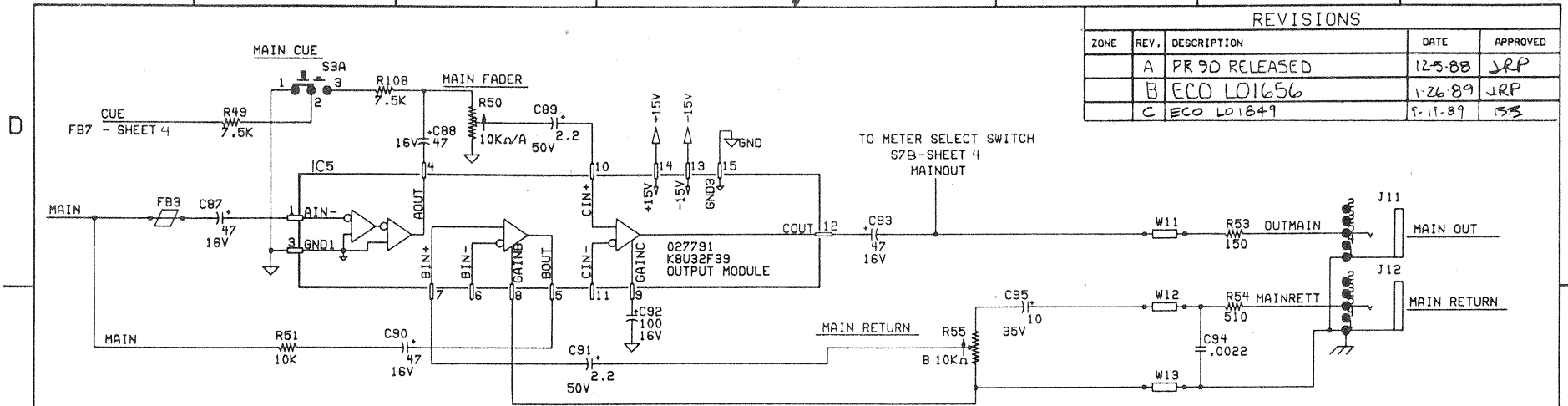
- NOTES:
1. ALL RESISTANCE IS SPECIFIED IN OHMS (Ω).
 2. ALL RESISTORS ARE 1/4W, 5%, UNLESS OTHERWISE NOTED.
 3. ALL CAPACITANCE IS SPECIFIED IN MICRO FARADS (μ F), UNLESS OTHERWISE SPECIFIED.
 4. ARROW ON "FADER" RESISTOR INDICATES MOVEMENT UP.
 5. ALL SIGNAL DIODES ARE 1N4448, UNLESS OTHERWISE SPECIFIED.

ASSEMBLY NO. 0030747000	PROPRIETARY	Fender MUSICAL INSTRUMENTS 1130 Columbia Street Brea, Ca. 92621
CHECKED BY: _____	THIS DRAWING DOCUMENT CONTAINS INFORMATION WHICH IS PROPRIETARY TO AND IS THE PROPERTY OF FENDER MUSICAL INST. AND MAY NOT BE USED, REPRODUCED OR DISCLOSED WITHOUT THE EXPRESSED WRITTEN CONSENT FROM: FENDER MUSICAL INST. CO. 1130 COLUMBIA ST. BREA, CA 92621	
DATE: _____	APPROVED: <i>JRP</i>	TITLE: SCHEMATIC MX42 OUTPUT
DATE: 12-5-88	TOLERANCES: X.X ± 0.050" X.XX ± 0.010" X.XXX ± 0.005" ANGLES ± 0.500° UNLESS OTHERWISE NOTED	SIZE: C DRAWN: MULLIN ENGR: PERKINS
		DRAWING NUMBER: 029949 REV. C
		SCALE: _____ DATE: 11-7-88 SHEET 1 OF 4

8 7 6 5 4 3 2 1

PART NO. 0029325000 SHEET 1

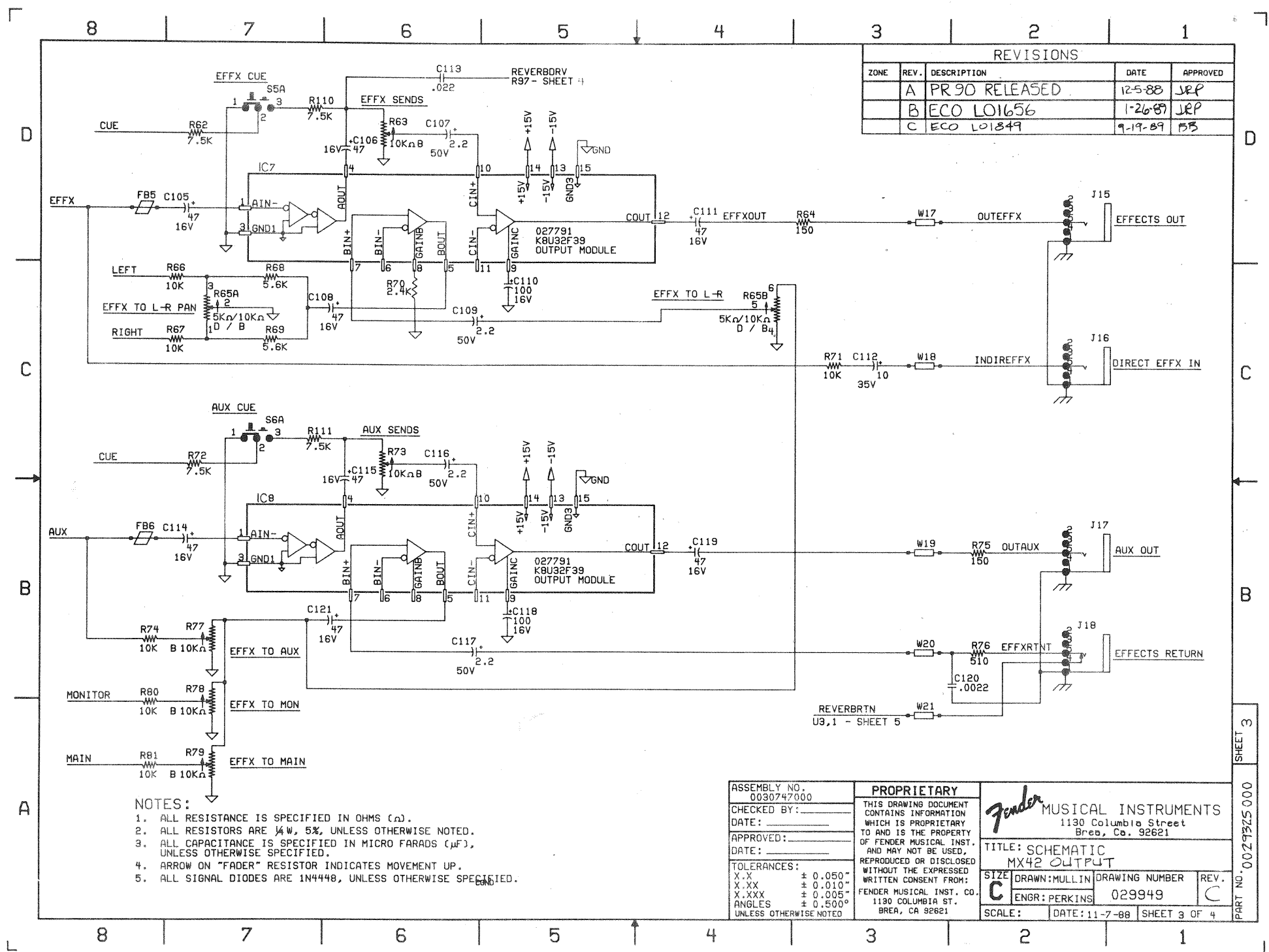
REVISIONS				
ZONE	REV.	DESCRIPTION	DATE	APPROVED
	A	PR 90 RELEASED	12-5-88	JRP
	B	ECO L01656	1-26-89	JRP
	C	ECO L01849	1-11-89	SB



- NOTES:
1. ALL RESISTANCE IS SPECIFIED IN OHMS (Ω).
 2. ALL RESISTORS ARE $\frac{1}{4}$ W, 5%, UNLESS OTHERWISE NOTED.
 3. ALL CAPACITANCE IS SPECIFIED IN MICRO FARADS (μ F), UNLESS OTHERWISE SPECIFIED.
 4. ARROW ON "FADER" RESISTOR INDICATES MOVEMENT UP.
 5. ALL SIGNAL DIODES ARE 1N4448, UNLESS OTHERWISE SPECIFIED.

ASSEMBLY NO. 0030747000	PROPRIETARY	Fender MUSICAL INSTRUMENTS 1130 Columbia Street Brea, Ca. 92621
CHECKED BY:	THIS DRAWING DOCUMENT CONTAINS INFORMATION WHICH IS PROPRIETARY TO AND IS THE PROPERTY OF FENDER MUSICAL INST. AND MAY NOT BE USED, REPRODUCED OR DISCLOSED WITHOUT THE EXPRESSED WRITTEN CONSENT FROM: FENDER MUSICAL INST. CO. 1130 COLUMBIA ST. BREA, CA 92621	
DATE:	DATE: 12-5-88	TITLE: SCHEMATIC MX42 OUTPUT
APPROVED: JRP	DATE: 12-5-88	SIZE: C
TOLERANCES:		DRAWN: MULLIN
X.X ± 0.050"		DRAWING NUMBER: 029949
X.XX ± 0.010"		REVISION: C
X.XXX ± 0.005"		ENGR: PERKINS
ANGLES ± 0.500°		SCALE: DATE: 11-7-88 SHEET 2 OF 4
UNLESS OTHERWISE NOTED		

SHEET 2
PART NO. 0029375000



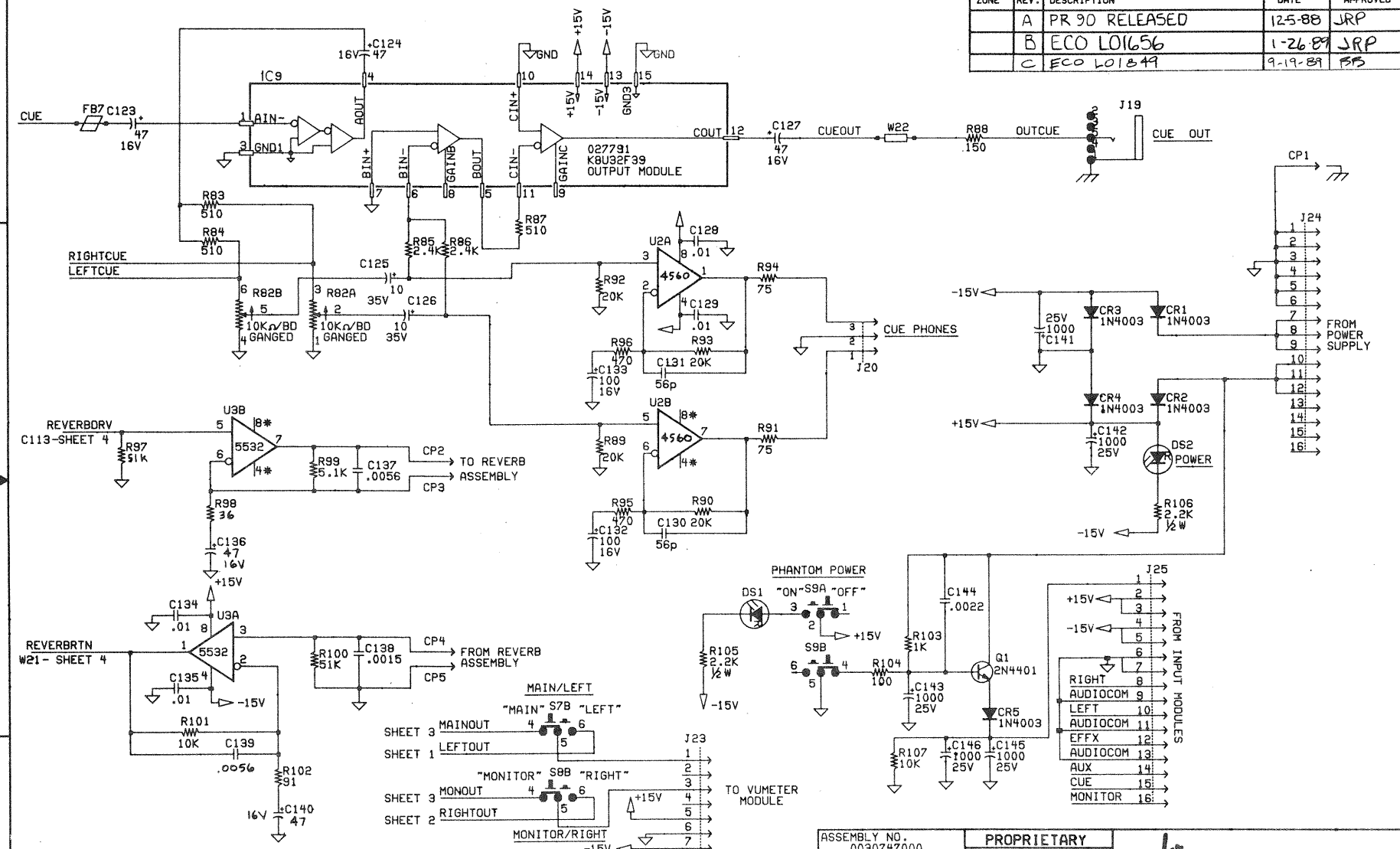
REVISIONS				
ZONE	REV.	DESCRIPTION	DATE	APPROVED
	A	PR 90 RELEASED	12-5-88	JEP
	B	ECO L01656	1-26-89	JEP
	C	ECO L01849	9-19-89	BS

- NOTES:
1. ALL RESISTANCE IS SPECIFIED IN OHMS (Ω).
 2. ALL RESISTORS ARE $\frac{1}{4}$ W, 5%, UNLESS OTHERWISE NOTED.
 3. ALL CAPACITANCE IS SPECIFIED IN MICRO FARADS (μ F), UNLESS OTHERWISE SPECIFIED.
 4. ARROW ON "FADER" RESISTOR INDICATES MOVEMENT UP.
 5. ALL SIGNAL DIODES ARE 1N4448, UNLESS OTHERWISE SPECIFIED.

ASSEMBLY NO. 0030747000	PROPRIETARY	MUSICAL INSTRUMENTS 1130 Columbia Street Brea, Ca. 92621				
CHECKED BY: _____	THIS DRAWING DOCUMENT CONTAINS INFORMATION WHICH IS PROPRIETARY TO AND IS THE PROPERTY OF FENDER MUSICAL INST. AND MAY NOT BE USED, REPRODUCED OR DISCLOSED WITHOUT THE EXPRESSED WRITTEN CONSENT FROM: FENDER MUSICAL INST. CO. 1130 COLUMBIA ST. BREA, CA 92621					
DATE: _____	APPROVED: _____	TITLE: SCHEMATIC MX42 OUTPUT				
DATE: _____	TOLERANCES: X.X ± 0.050° X.XX ± 0.010° X.XXX ± 0.005° ANGLES ± 0.500° UNLESS OTHERWISE NOTED	<table border="1"> <tr> <td>SIZE C</td> <td>DRAWN: MULLIN</td> <td>DRAWING NUMBER 029949</td> <td>REV. C</td> </tr> </table>	SIZE C	DRAWN: MULLIN	DRAWING NUMBER 029949	REV. C
SIZE C	DRAWN: MULLIN	DRAWING NUMBER 029949	REV. C			
		SCALE: _____ DATE: 11-7-88 SHEET 3 OF 4				

PART NO. 0029925000 SHEET 3

REVISIONS				
ZONE	REV.	DESCRIPTION	DATE	APPROVED
	A	PR 90 RELEASED	12-5-88	JRP
	B	ECO L01656	1-26-89	JRP
	C	ECO L01849	9-19-89	BS



- NOTES:
1. ALL RESISTANCE IS SPECIFIED IN OHMS (Ω).
 2. ALL RESISTORS ARE $\frac{1}{4}$ W, 5%, UNLESS OTHERWISE NOTED.
 3. ALL CAPACITANCE IS SPECIFIED IN MICRO FARADS (μ F), UNLESS OTHERWISE SPECIFIED.
 4. ARROW ON "FADER" RESISTOR INDICATES MOVEMENT UP.
 5. ALL SIGNAL DIODES ARE 1N4448, UNLESS OTHERWISE SPECIFIED.

ASSEMBLY NO. 0030747000	PROPRIETARY	Fender MUSICAL INSTRUMENTS 1130 Columbia Street Brea, Ca. 92621
CHECKED BY:	THIS DRAWING DOCUMENT CONTAINS INFORMATION WHICH IS PROPRIETARY TO AND IS THE PROPERTY OF FENDER MUSICAL INST. AND MAY NOT BE USED, REPRODUCED OR DISCLOSED WITHOUT THE EXPRESSED WRITTEN CONSENT FROM: FENDER MUSICAL INST. CO. 1130 COLUMBIA ST. BREA, CA 92621	
DATE: 12-5-88	APPROVED: SJP	TITLE: SCHEMATIC MX42 OUTPUT
TOLERANCES: X.X ± 0.050" X.XX ± 0.010" X.XXX ± 0.005" ANGLES ± 0.500° UNLESS OTHERWISE NOTED	SCALE: DATE: 11-7-88	SIZE: DRAWN: MULLIN DRAWING NUMBER: 029949 REV. C