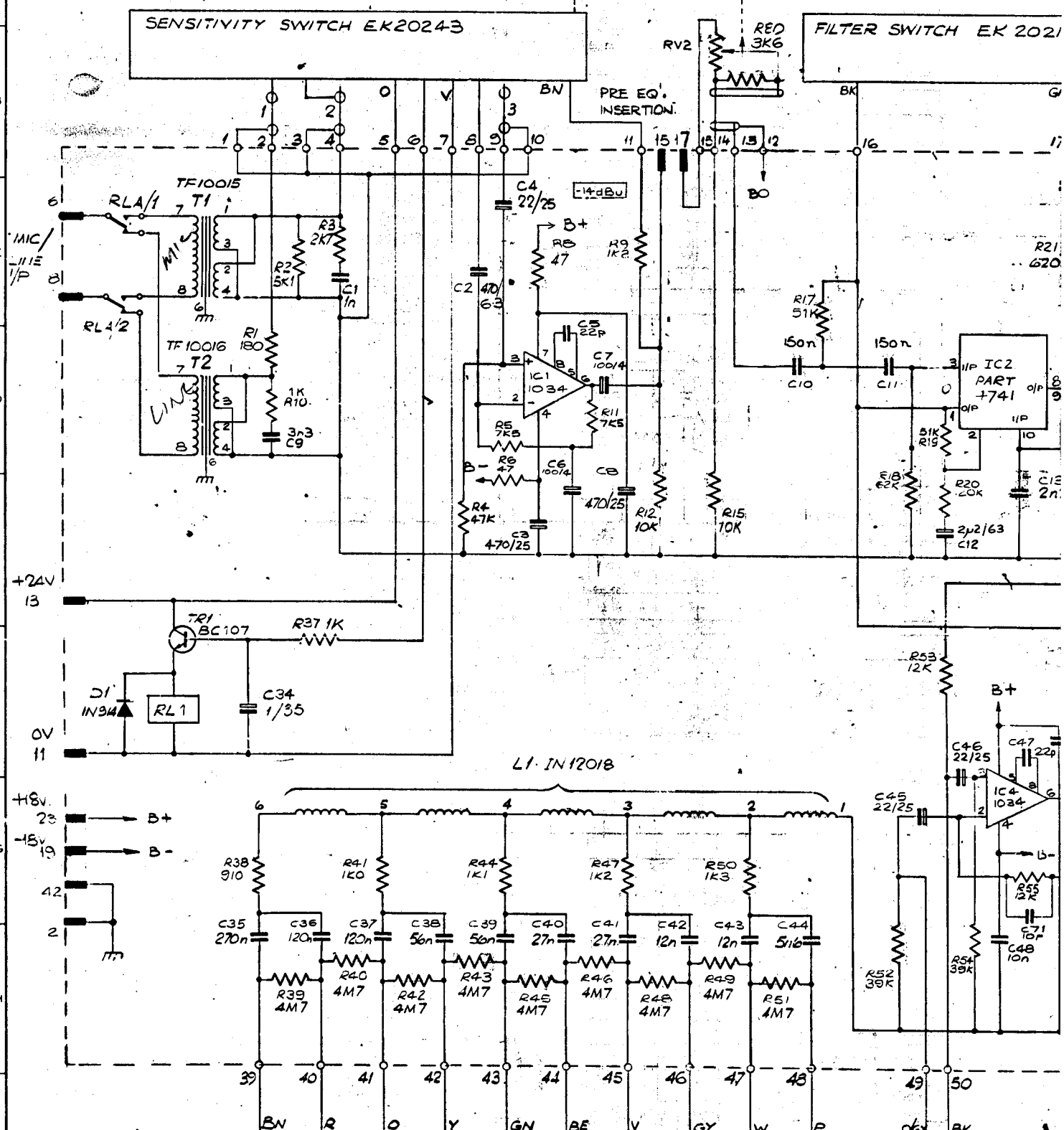


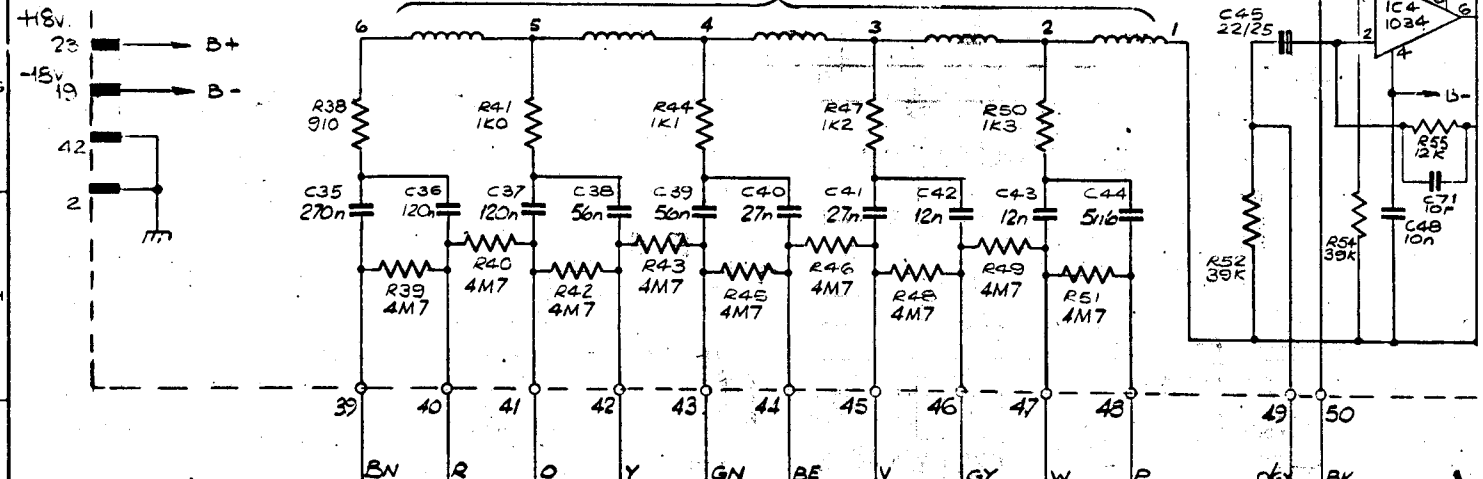
SENSITIVITY SWITCH EK20243

10K COAX WITH SENSITIVITY SWITCH

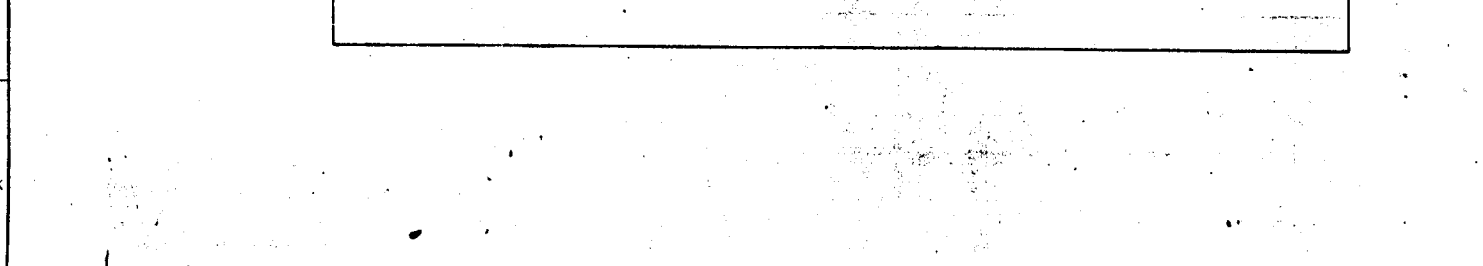
FILTER SWITCH EK 2021



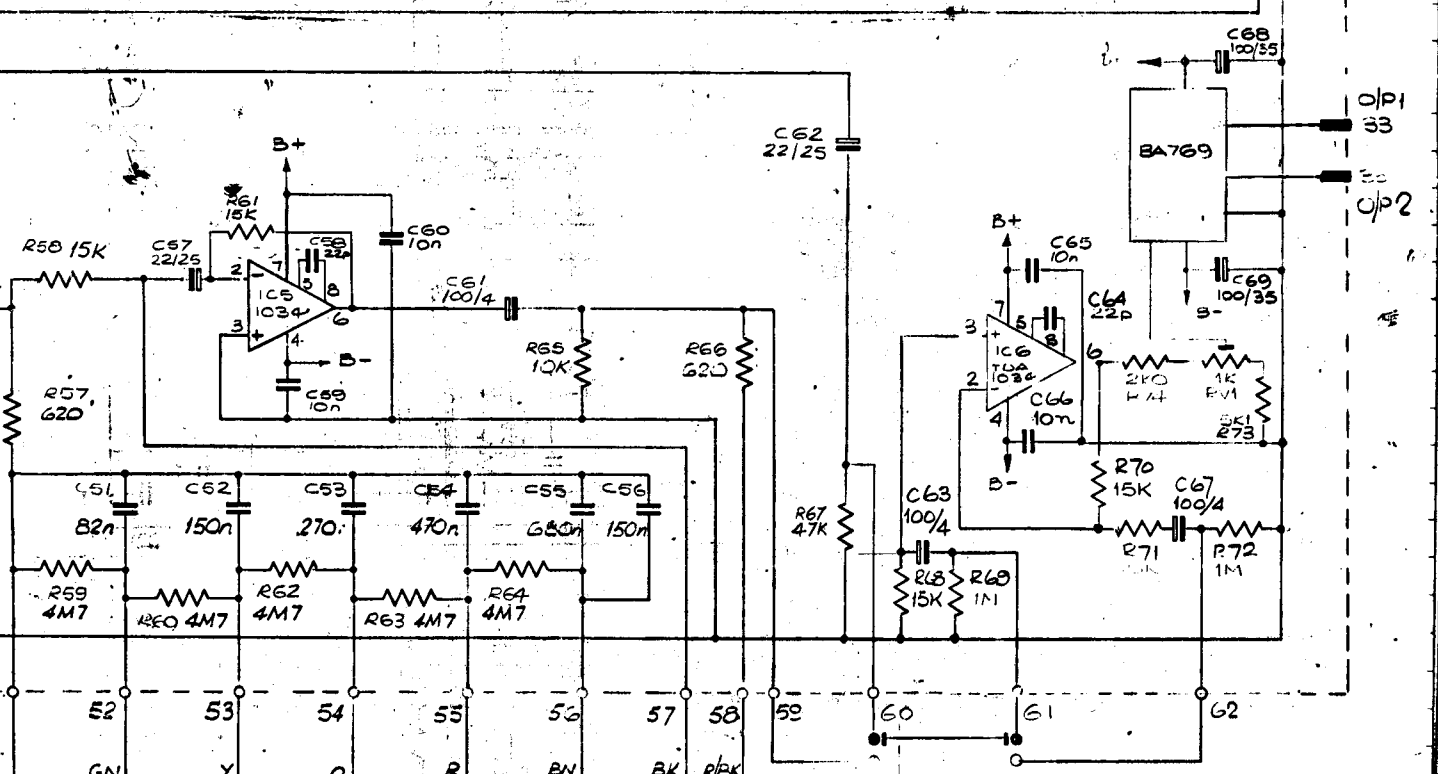
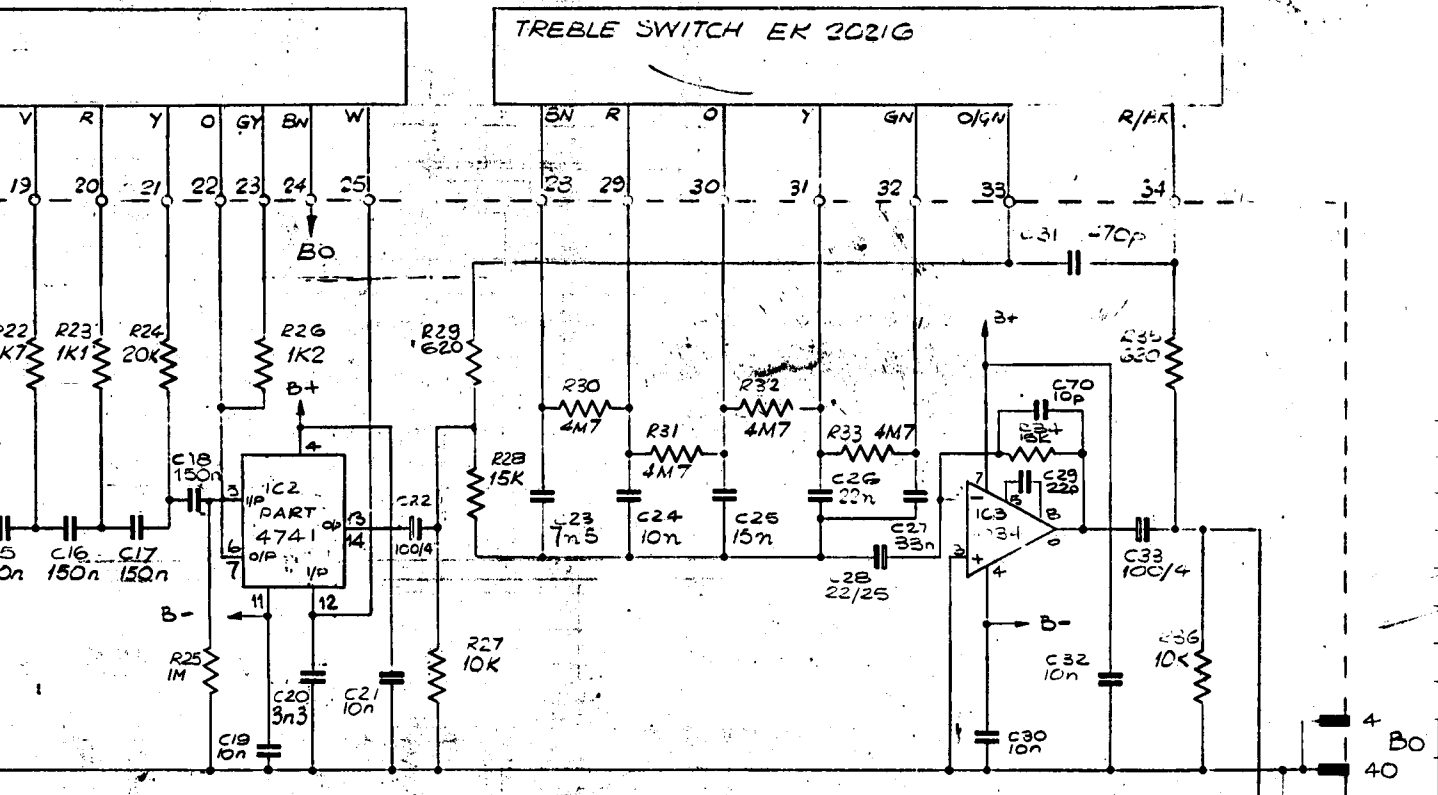
L1 IN 12018



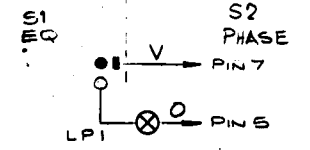
PRESENCE SWITCH EK 2013B/1



TREBLE SWITCH EK 2021G



BASS SWITCH EK 20217



3	2	1	ISSUE	FIRST USED ON	MATL.	TOL UNLESS OTHERWISE STATED
13-6-83	14-2-79		DATE	A5064		LINEAR ANGULAR HOLES
62346	30139		CHANGE NOTE NO	DRN D/S	FINISH	3rd ANGLE PRJ DIMS IN SCALE
	30131		CHECKED	JLS	TITLE CHANNEL AMPLIFIER	DRG. No. EHC0090
					33135 INC BA. 765	10/75