



**PA-2400**

**Power-amplifier**

**Service-manual**

**Serviceunterlagen**

**Documents techniques**

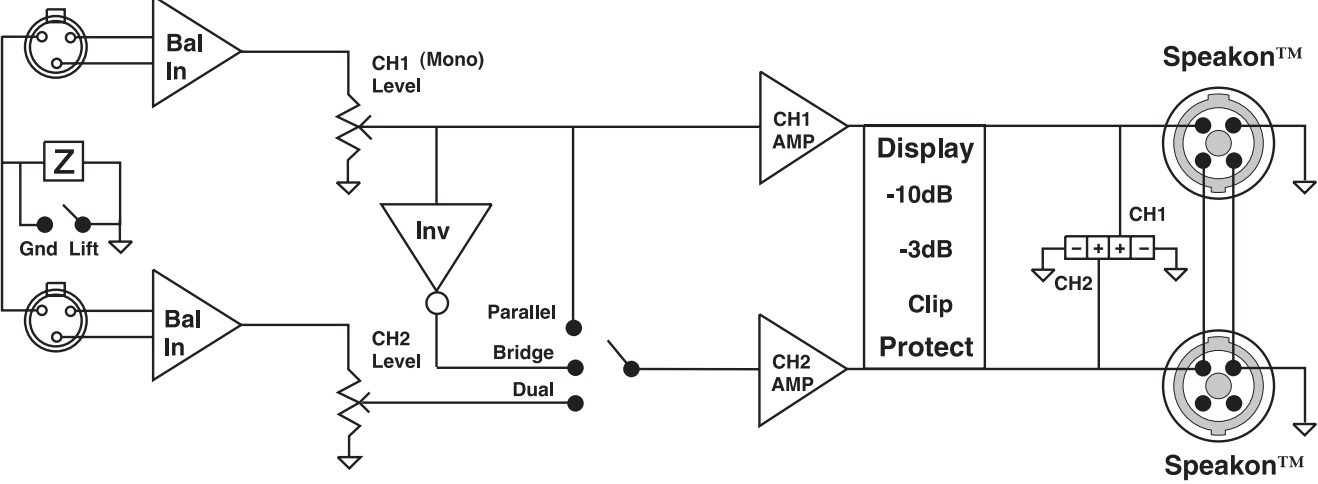
**Documentos de servicio**

**Version 2.0**

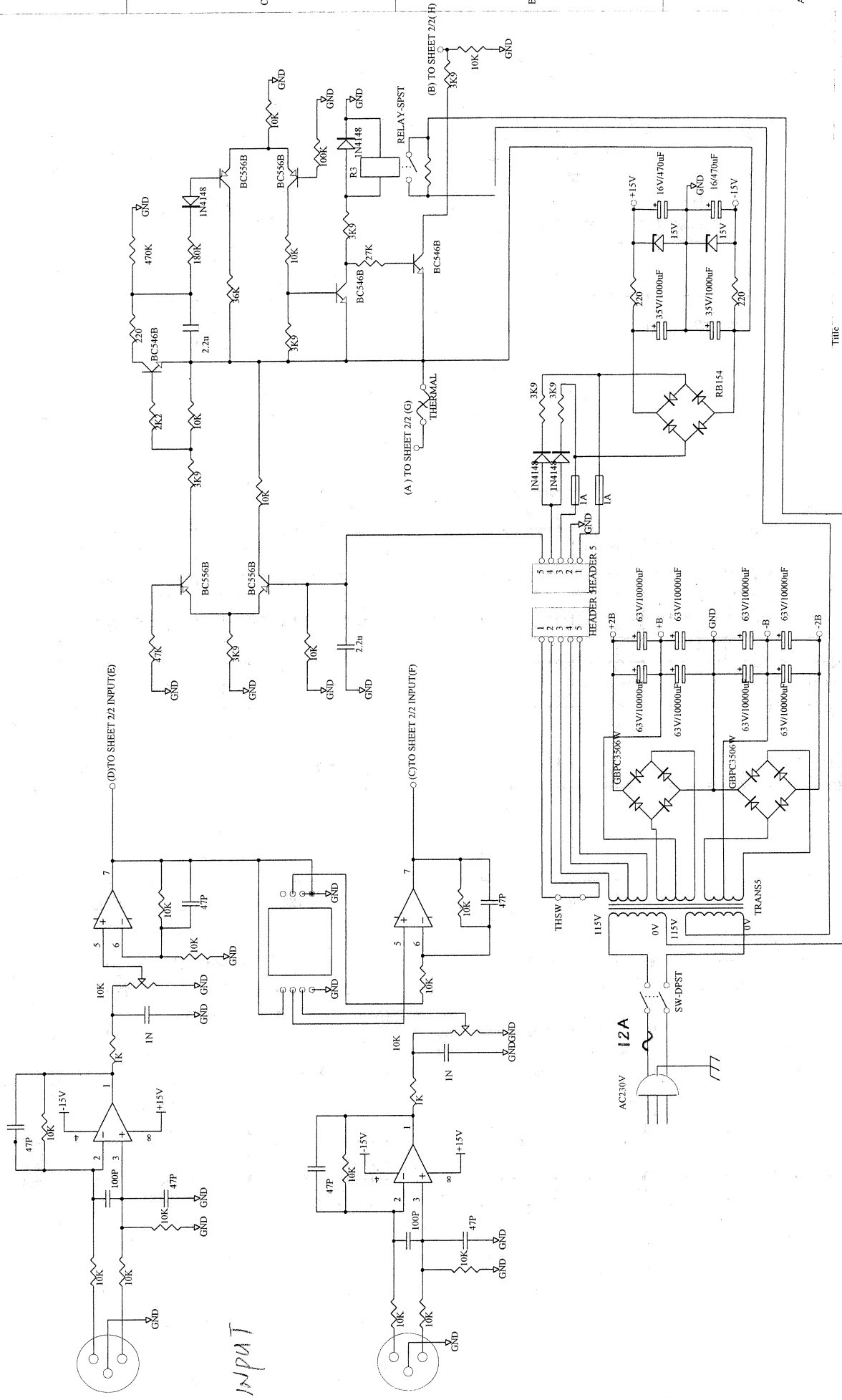
## Spare-parts list

No.	Designation - German	Designation - English	Designation - French	Designation - Spanish
<b>E0195210</b>	Platine für PA-2400	PCB for PA-2400	Platine pour PA-2400	Platina para PA-2400
<b>E0195220</b>	Diode U 1520 für PA-2400	Diode U 1520 for PA-2400	Diode U 1520 pour PA-2400	Diode U 1520 para PA-2400
<b>E0195221</b>	VOLUME-Poti für PA-2400	VOLUME-poti for PA-2400	VOLUME-poti pour PA-2400	VOLUME-poti para PA-2400
<b>E0195222</b>	Lüfter für PA-2400	Cooling-fan for PA-2400	Ventilateur pour PA-2400	Ventilator para PA-2400
<b>E0195223</b>	GROUNDLIFT-Schalter für PA-2400	GROUNDLIFT-switch for PA-2400	GROUNDLIFT-Interrupteur pour PA-2400	GROUNDLIFT-Interruptor para PA-2400
<b>E0195224</b>	BRIDGE/DUAL/PARALLEL-Schalter	BRIDGE/DUAL/PARALLEL-switch	BRIDGE/DUAL-Interrupteur pour PA-2400	BRIDGE/DUAL-Interruptor para PA-2400
<b>E0195230</b>	XLR-Einbaubuchse für PA-2400	XLR mounting-socket for PA-2400	Douille encastrable XLR pour PA-2400	Casqu. incorporado XLR para PA-2400
<b>E0195231</b>	Griff für PA-2400	Handle for PA-2400	Poignée pour PA-2400	Asa para PA-2400
<b>E6501033</b>	Schaltplan für PA-2400	Circuit diagram for PA-2400	Schema de connexions pour PA-2400	Esquema cableado para PA-2400

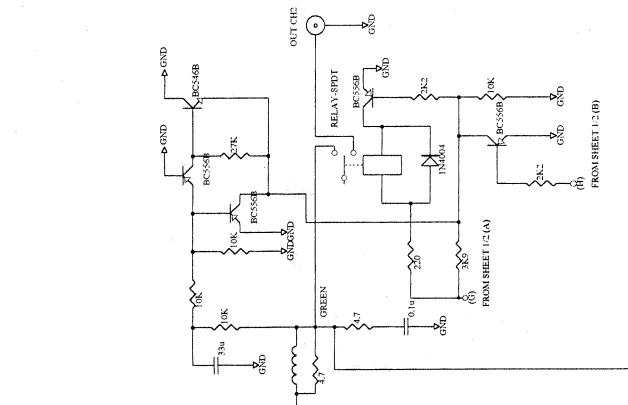
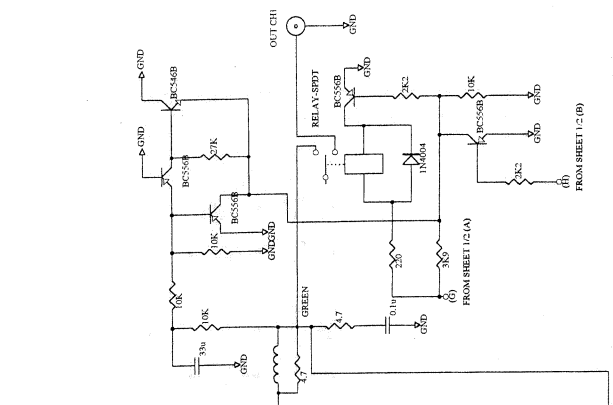
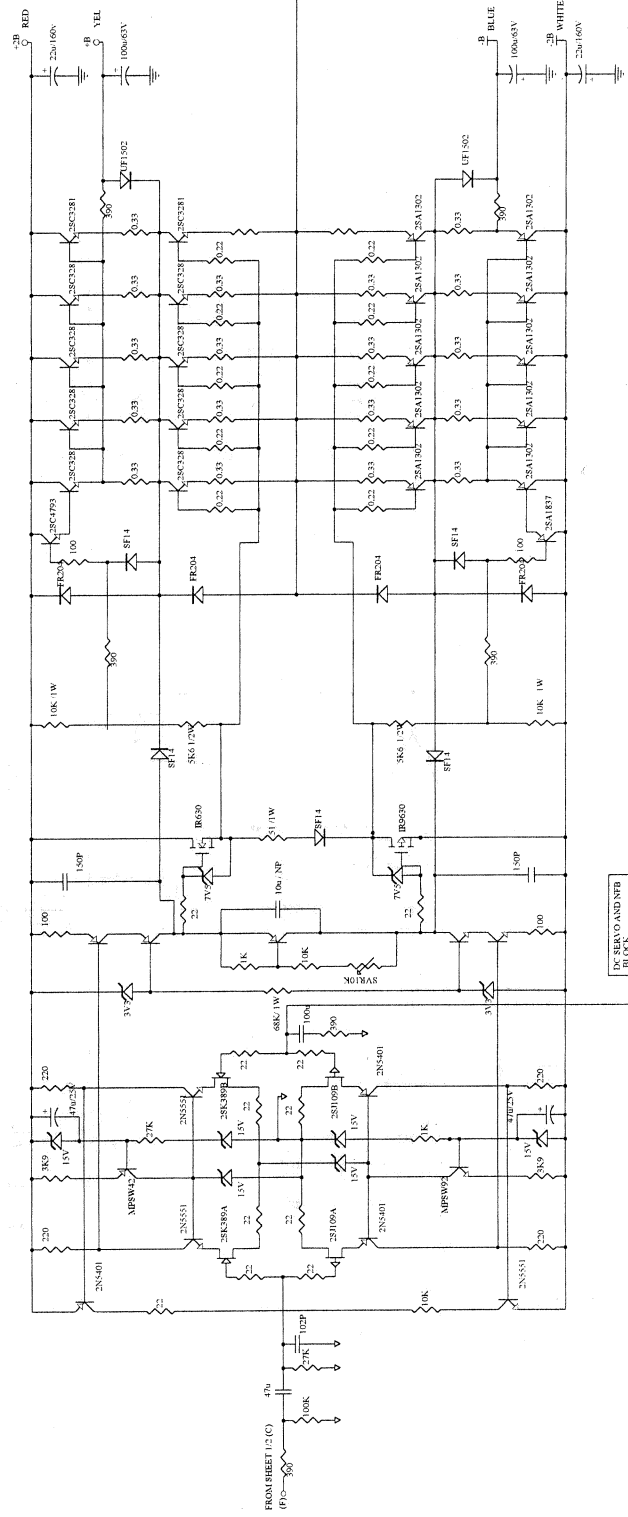
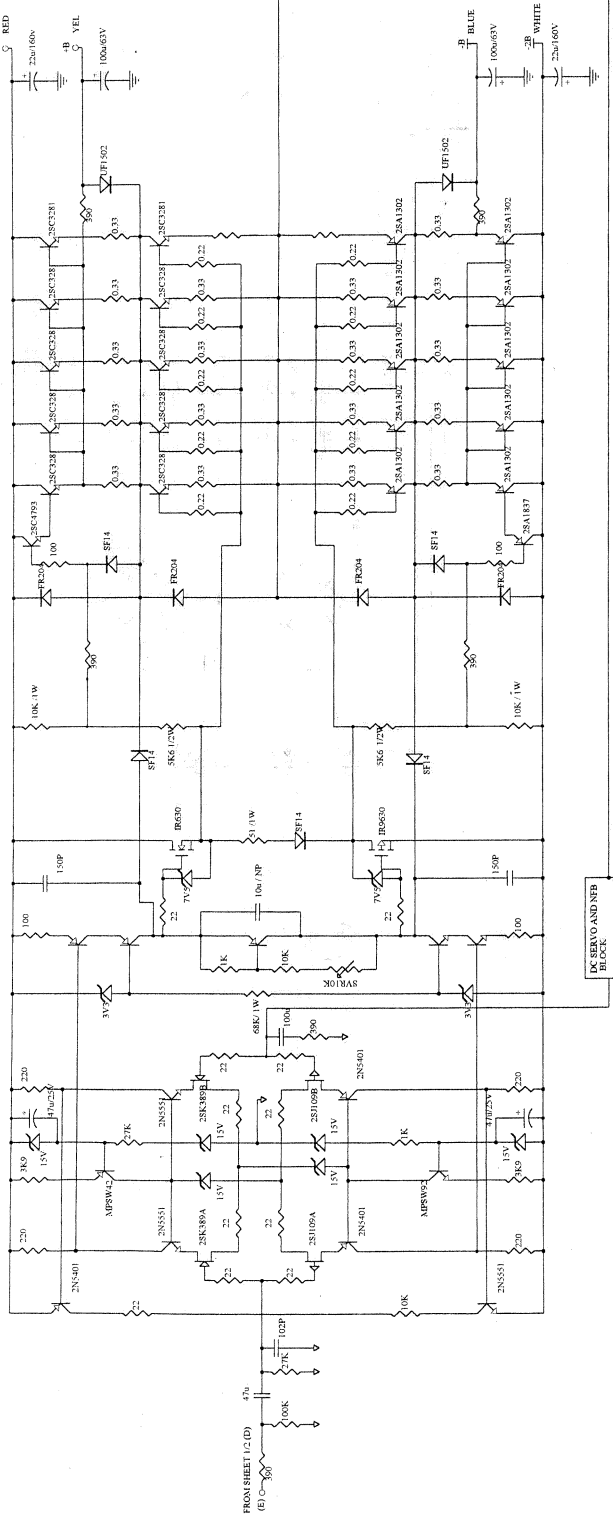
# Wiring diagram for OMNITRONIC PA-2400



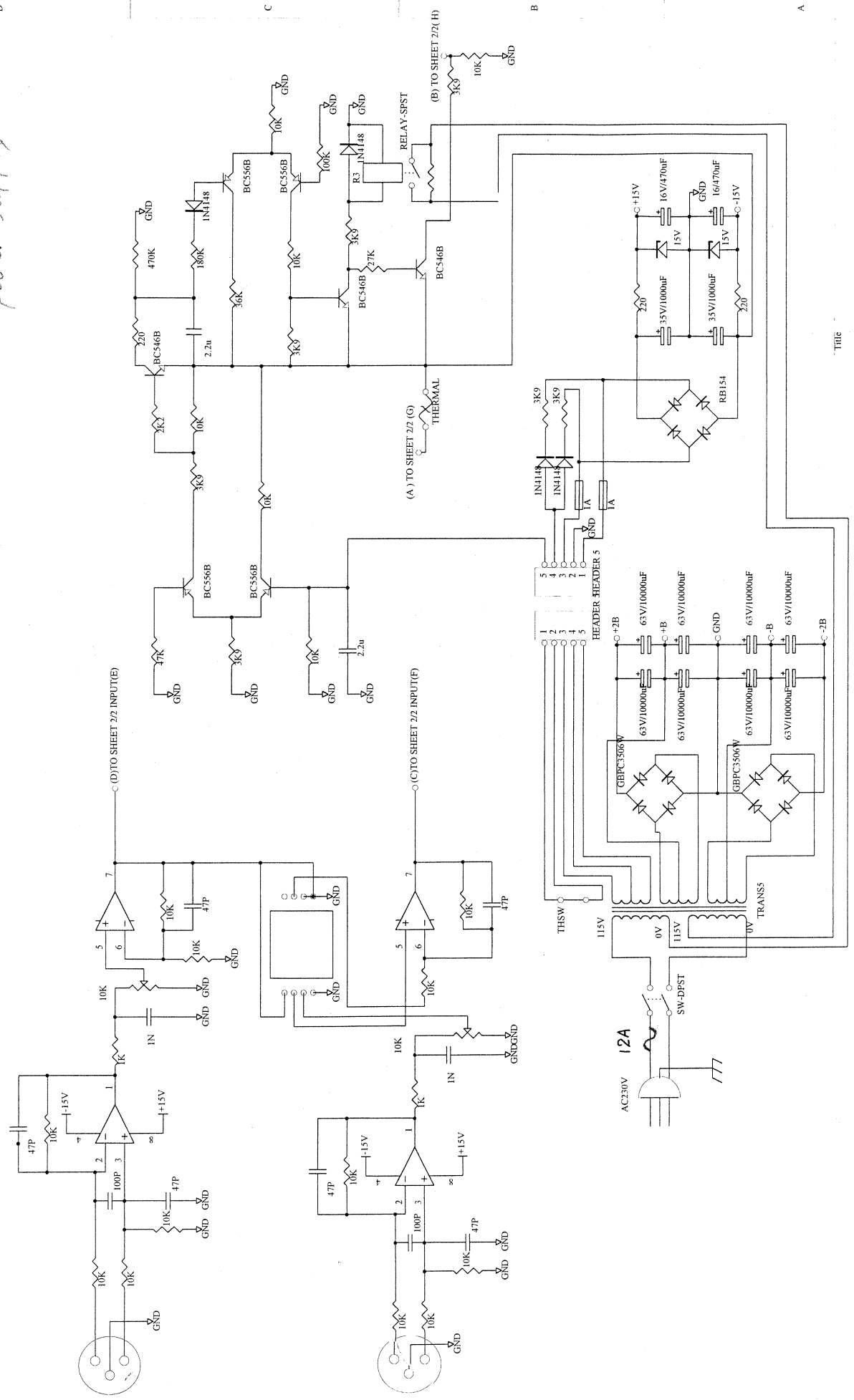
PA-240  
main Amp module



Title	Size	Number	Revision
A3	A3		
Date:	30-Jun-2000	Sheet	1/2
File:	C:\WINDOWS\Desktop\Power-1.sch	Drawn By:	



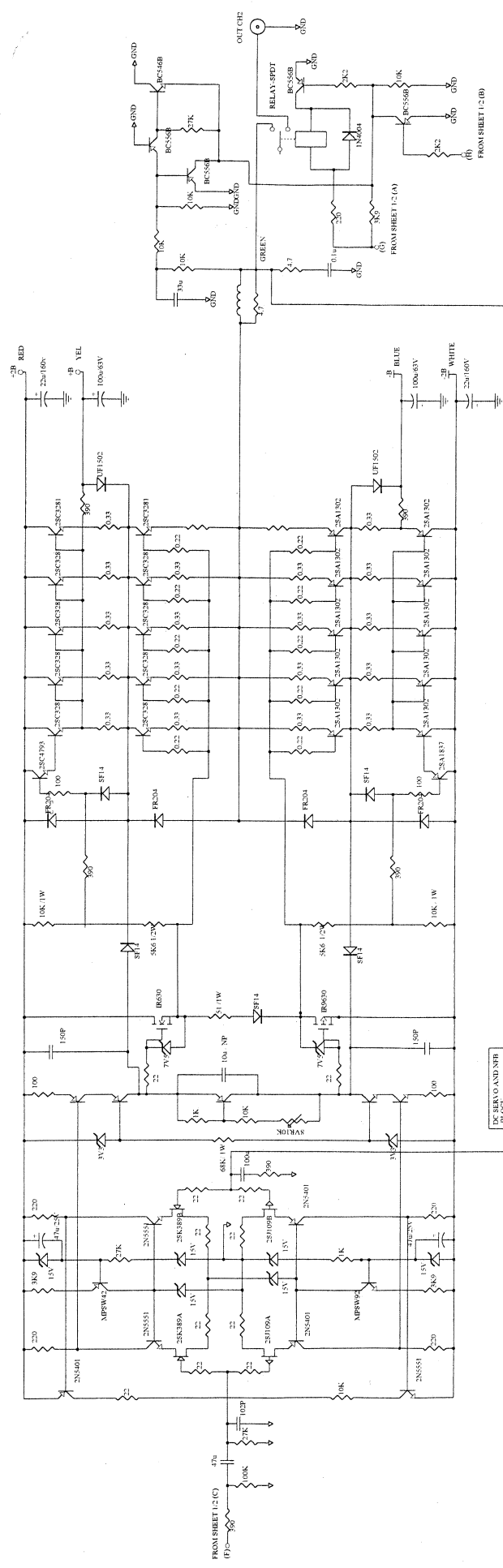
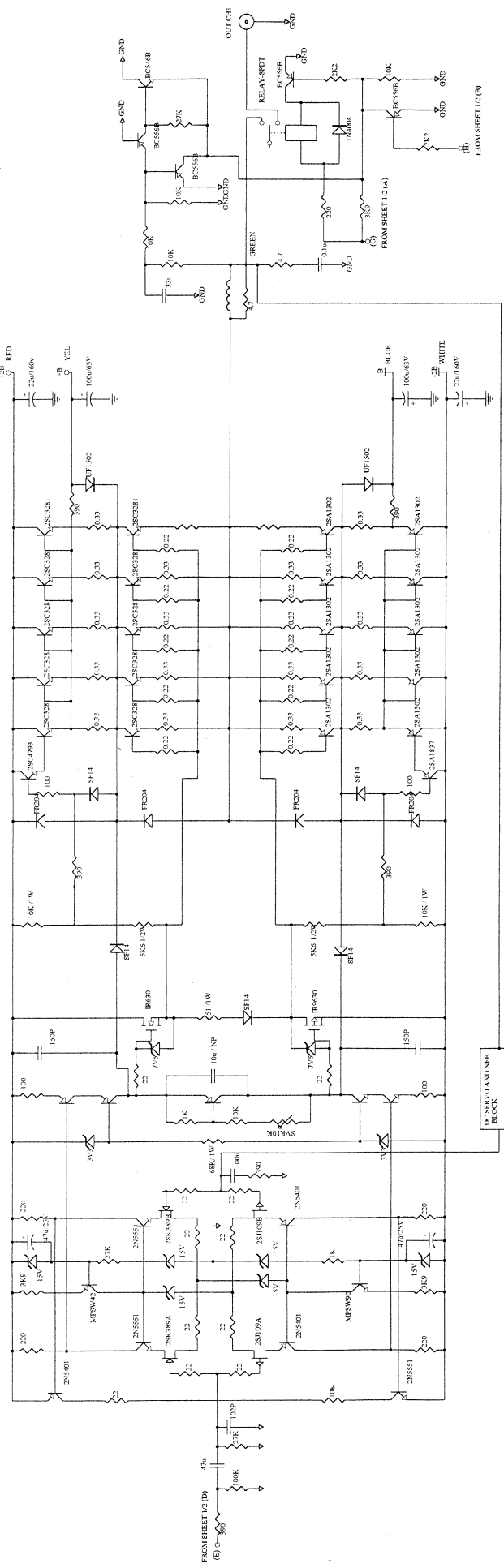
PA-2400  
BALANCE IN 8  
power supply



THE  
Size Number Revision  
A3  
Date: 30 Jun 2000  
File: C:\WINDOWS\Desktop\Power-1.sch Drawn By: 8

1 2 3 4 5 6 7 8

6 3 4 5 2 1



Title: \_\_\_\_\_  
 No. in Series: \_\_\_\_\_  
 AC: \_\_\_\_\_  
 DC: \_\_\_\_\_  
 Rev. No.: \_\_\_\_\_  
 Date: \_\_\_\_\_  
 Drawn By: \_\_\_\_\_  
 Checked By: \_\_\_\_\_