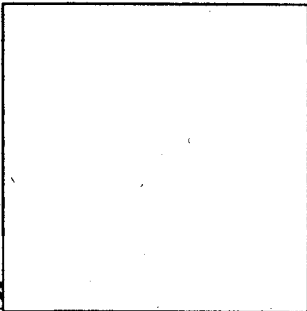
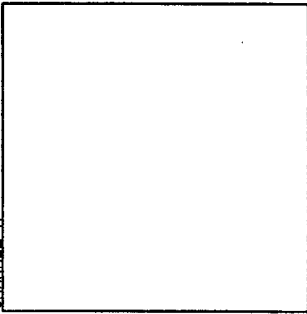


**PA1 SCHEMATICS**

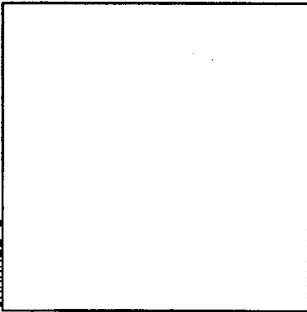
PSU



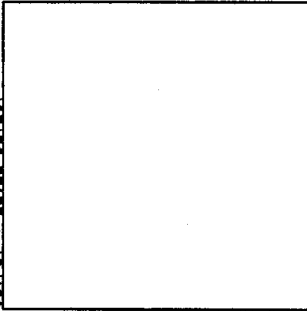
CHANNEL A



CHANNEL B

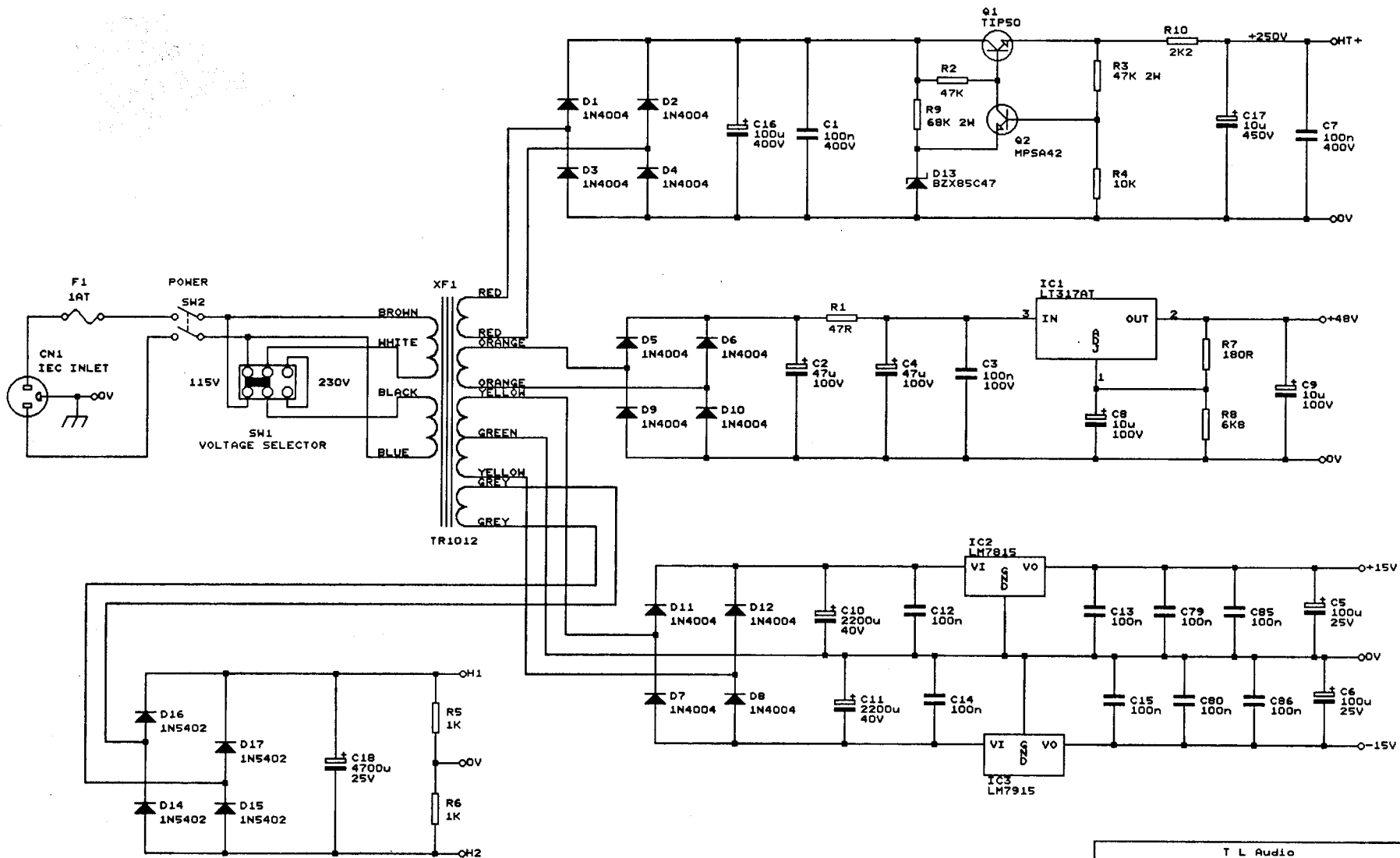


OUTPUT + LEVEL DETECT

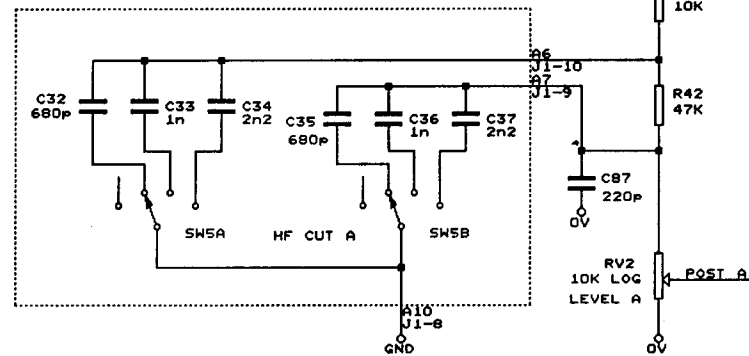
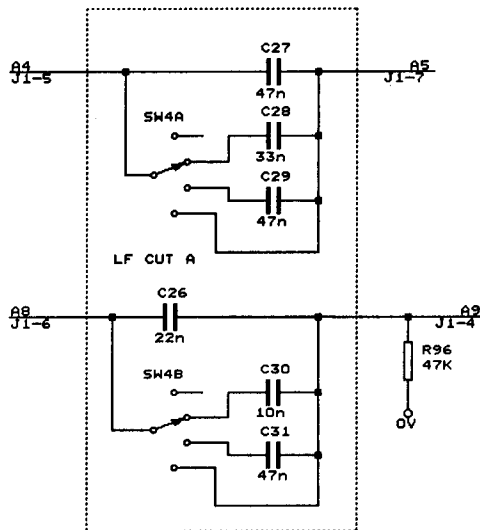
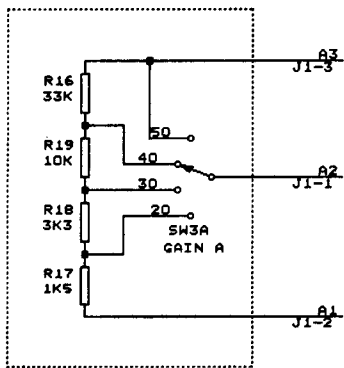
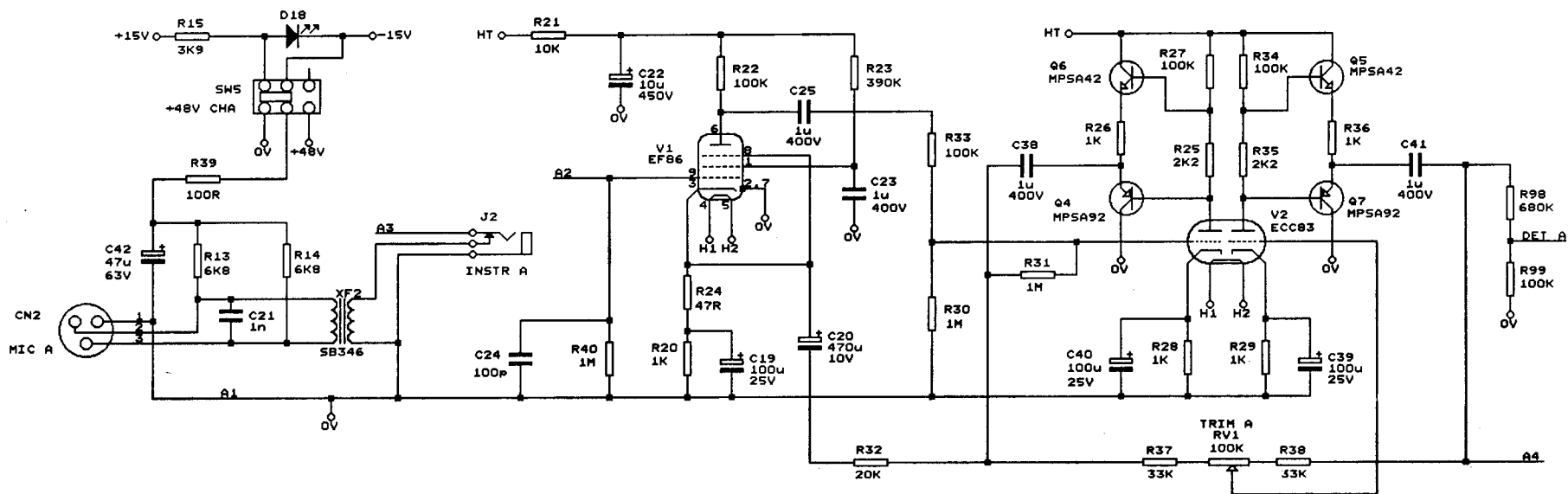


# PA1 SCHEMATICS

TL Audio	
COPYRIGHT 1994	
Title	PENTODE PRE-AMPLIFIER
Size	Document Number
B	CD1111
REV	1
Date:	December 19, 1994
Sheet	1 of 5

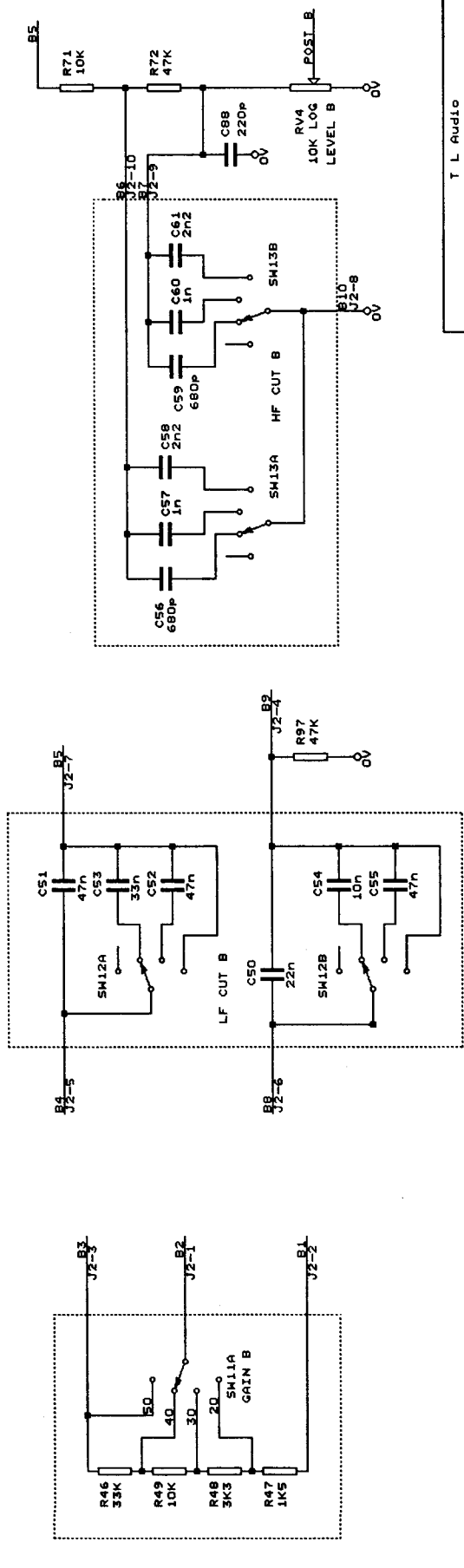
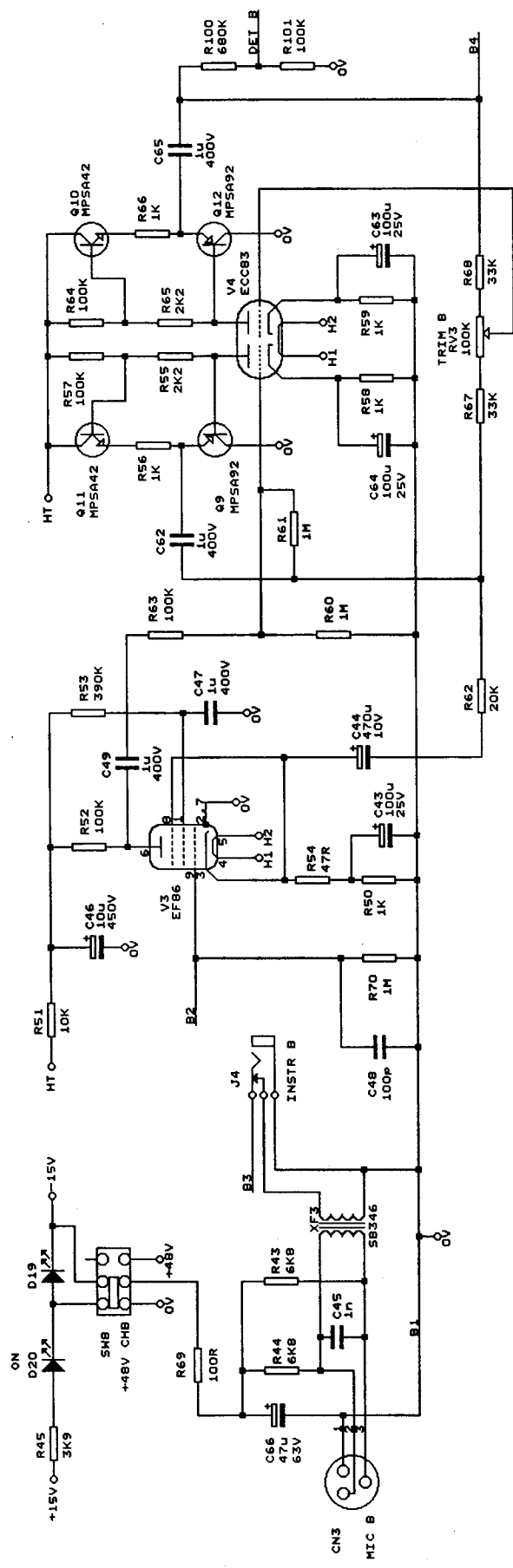


T L Audio	
COPYRIGHT 1994	
Title	
PENTODE PRE-AMPLIFIER	
Size	Document Number
B	CD1111
Date: December 19, 1994	Sheet 2 of 5



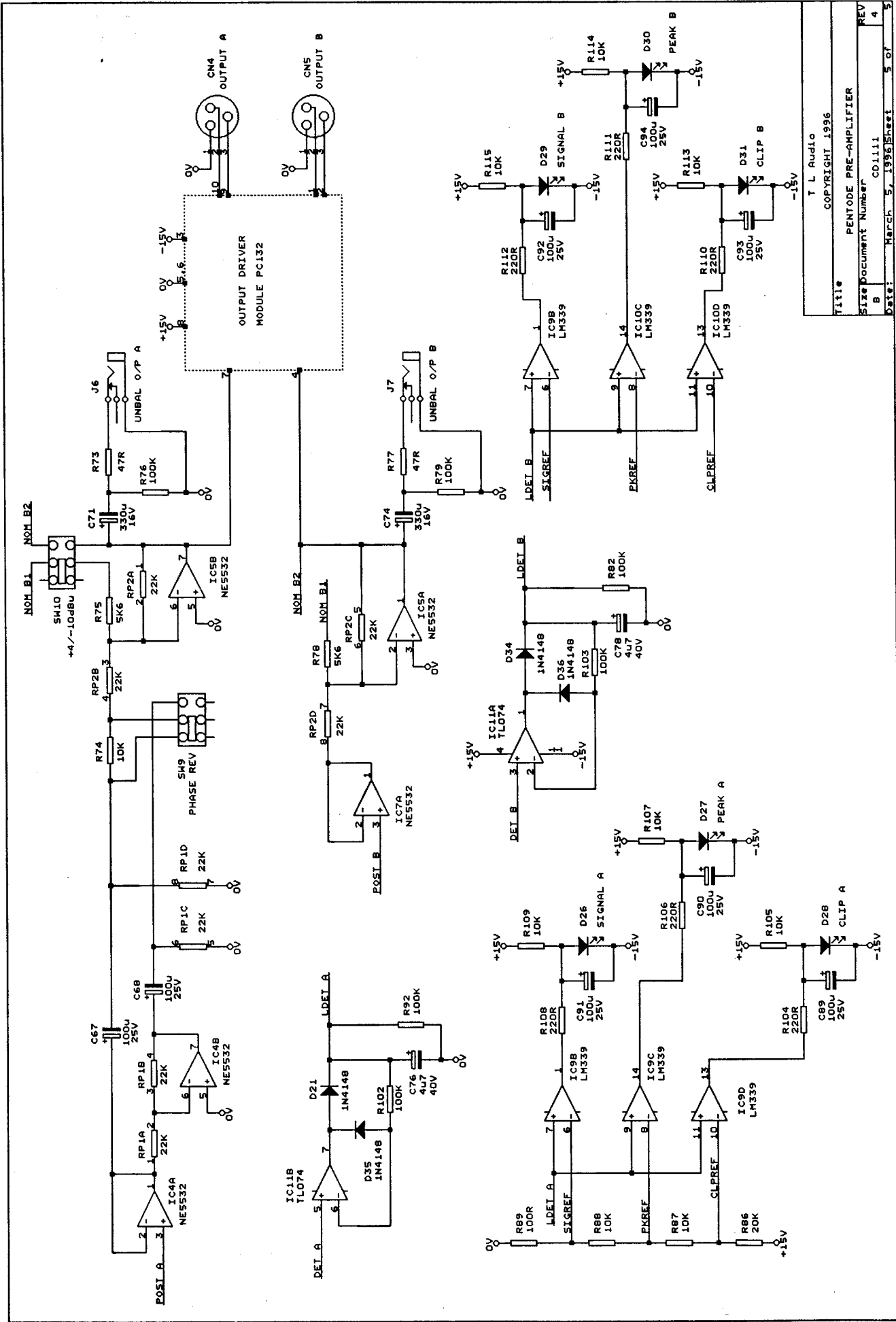
CIRCUITRY WITHIN DOTTED LINES IS LOCATED ON PC111A

T L Audio	
COPYRIGHT 1996	
Title	
PENTODE PRE-AMPLIFIER	
Size Document Number	REV
B	CD1111 4
Date:	March 5, 1996 Sheet 3 of 5

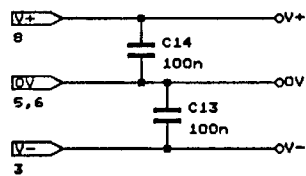
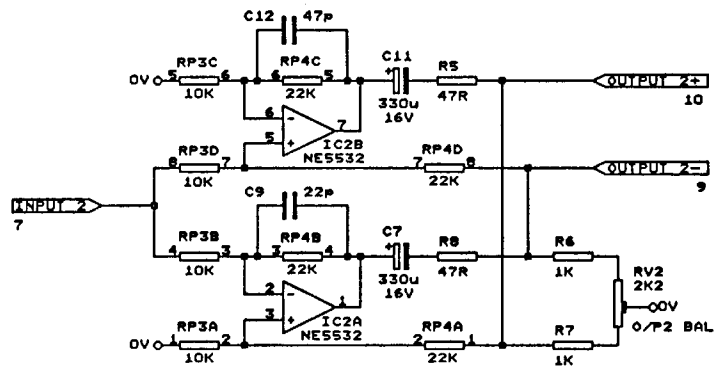
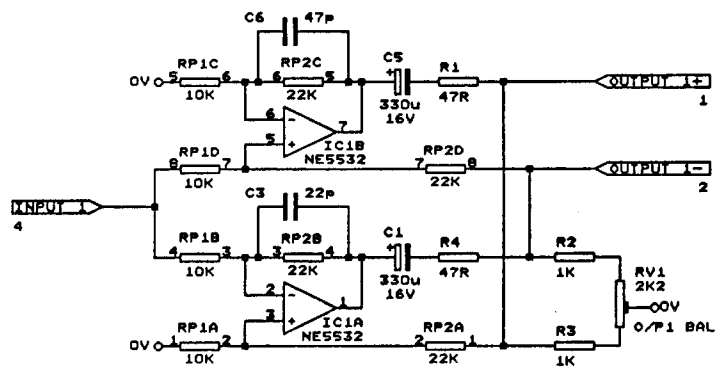


Title T L Audio  
 Copyright 1996  
 Pentode Pre-Amplifier  
 Size Document Number CD1111  
 Rev 4  
 Date March 5, 1995 Sheet 4 of 5

CIRCUITRY WITHIN DOTTED LINES IS LOCATED ON PC1118



T L Audio  
 COPYRIGHT 1996  
 Title PENTODE PRE-AMPLIFIER  
 Size Document Number C01111  
 B REV 4  
 Date: March 5, 1996 Sheet 5 of 5



TL Audio		
COPYRIGHT 1995		
Title DUAL OUTPUT STAGE		
Size Document Number CD1132		
Date: December 7, 1995	Sheet 1 of 1	REV 1