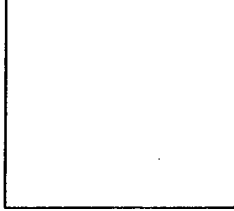
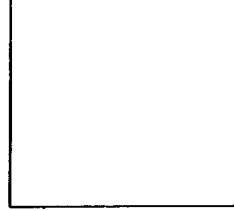


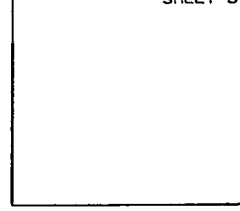
I/P 1+2 SHEET 2



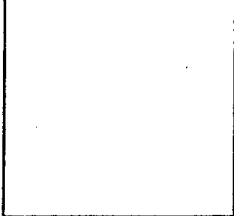
I/P 3+4 SHEET 3



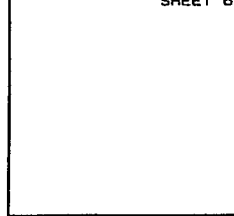
HPF, PAN, LEVEL + MIX SHEET 5



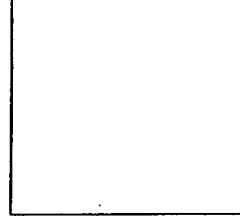
LIMITERS SHEET 4



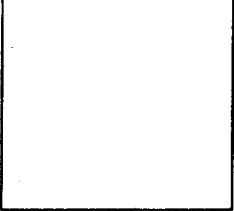
LIMITER + OSC CONTROL SHEET 6



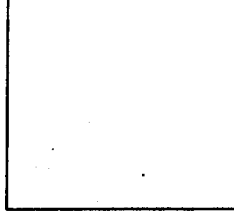
OSCILLATOR SHEET 7



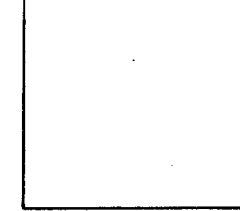
MONITORING SHEET 8



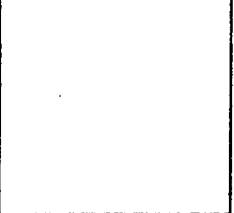
PSU SHEET 10



OUTPUT SHEET 9

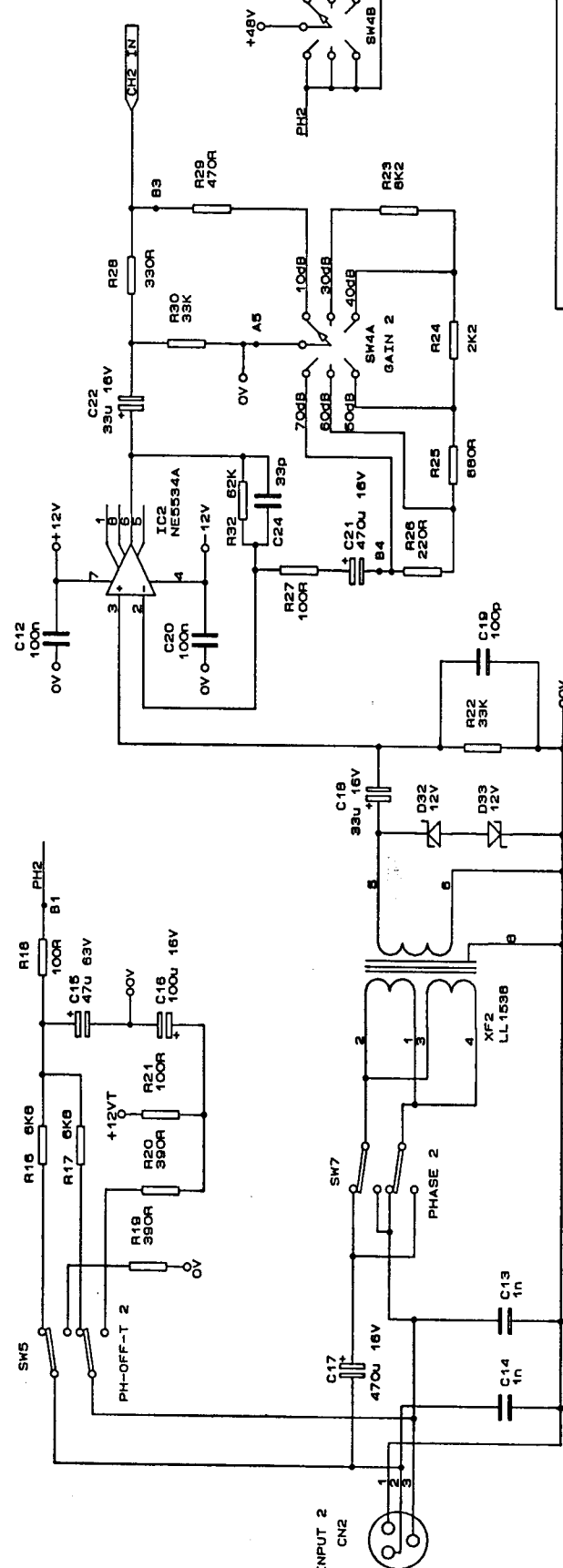
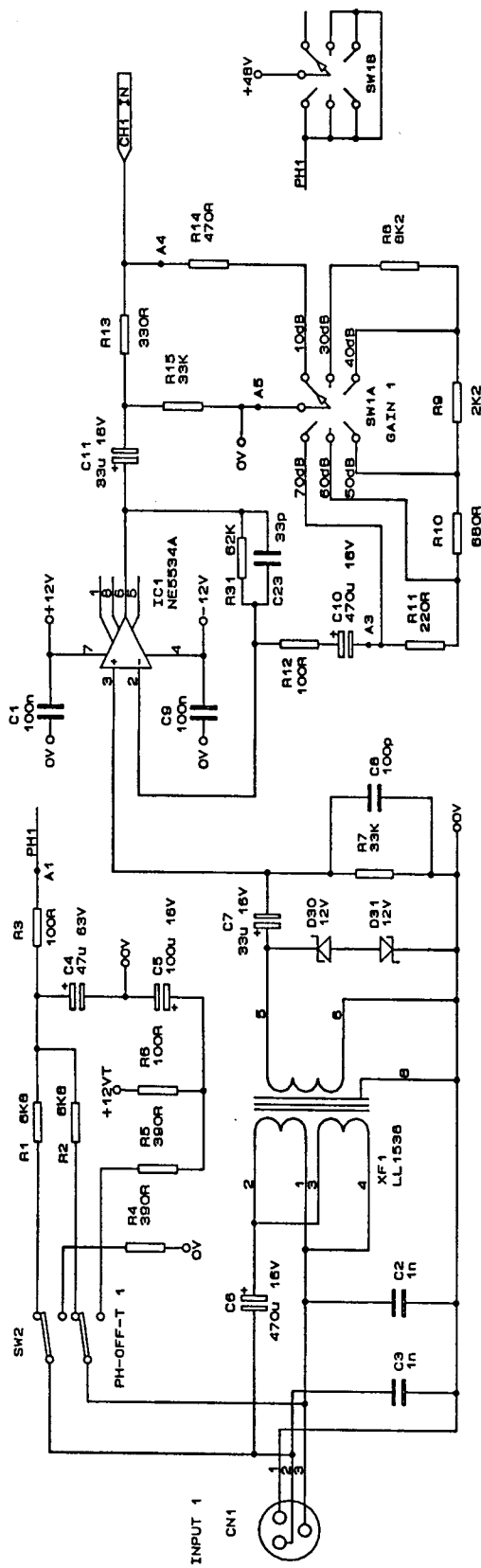


PPM DRIVER SHEET 11

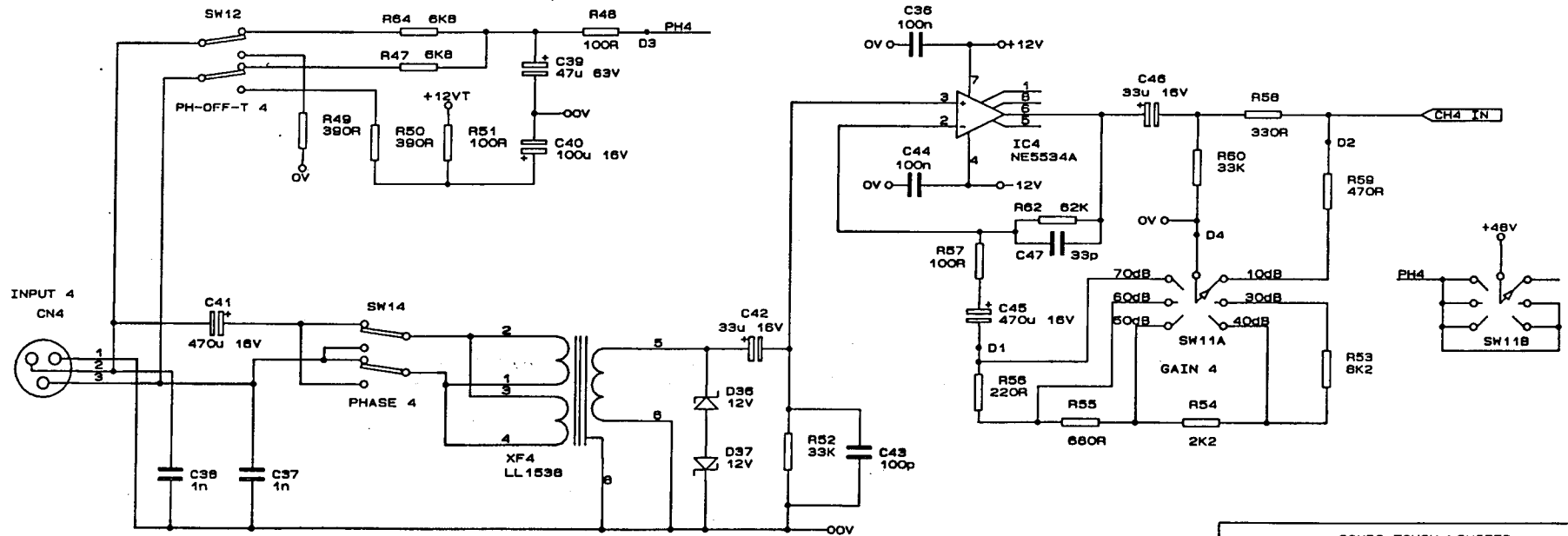
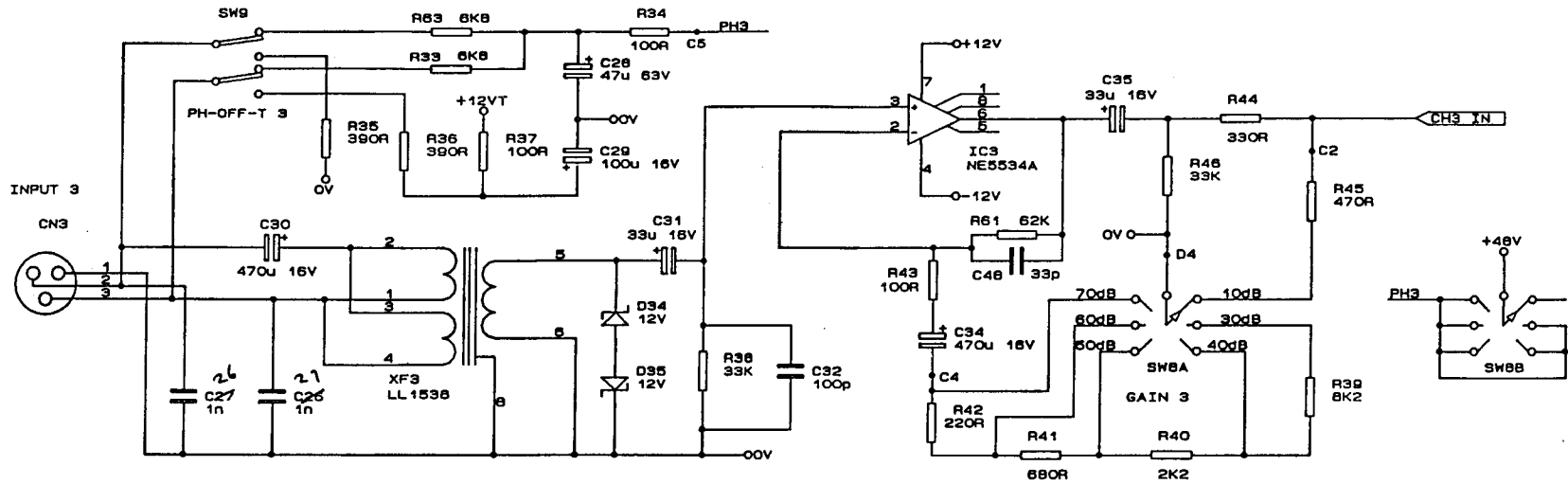


PM-1 4/2 MIXER SCHEMATICS

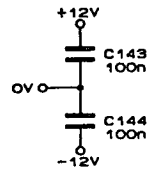
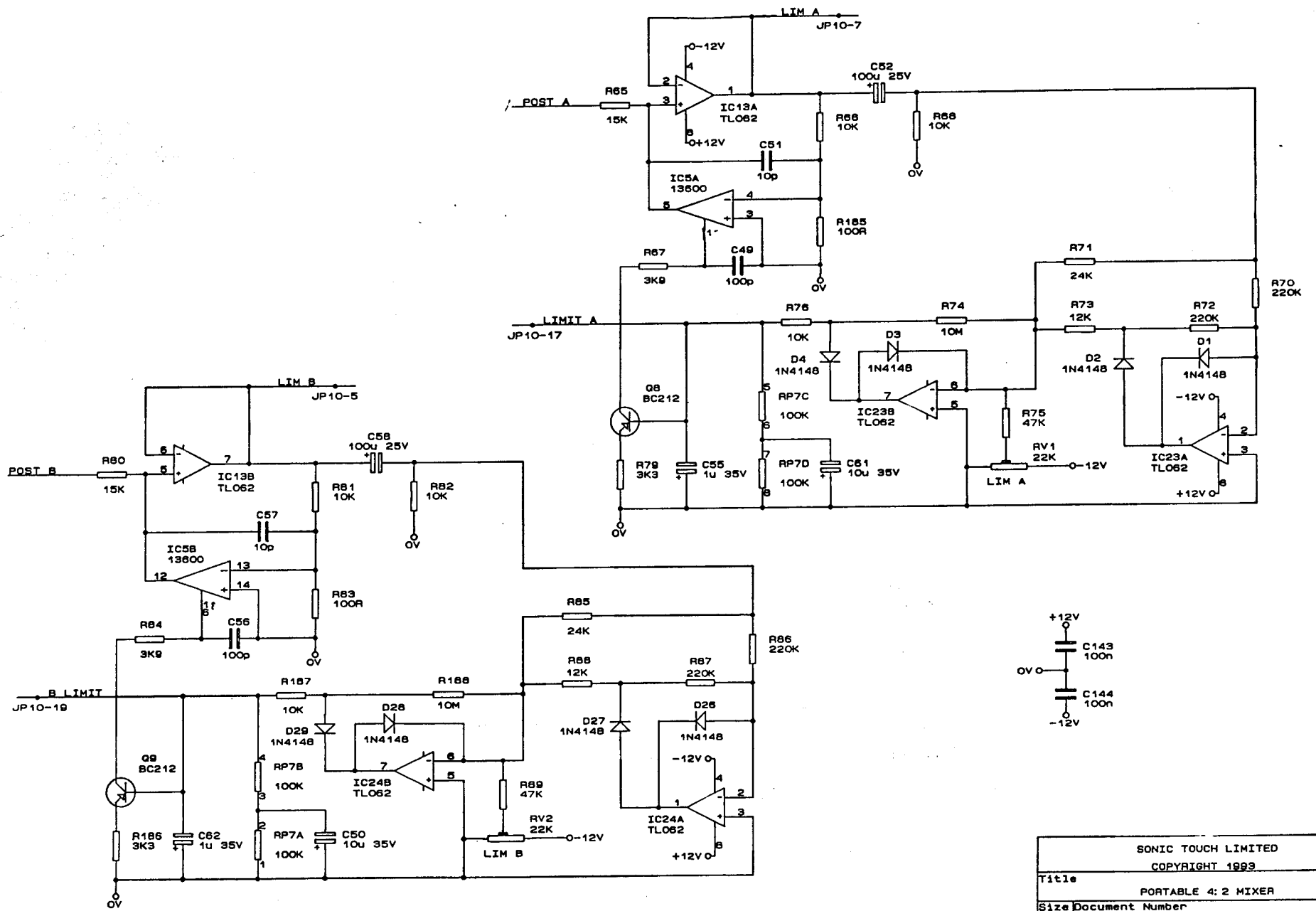
SONIC TOUCH LIMITED		
COPYRIGHT 1992		
Title PORTABLE 4: 2 MIXER		
Size	Document Number	REV
B	CD1075	2
Date:	May 5, 1993	Sheet 1 of 11



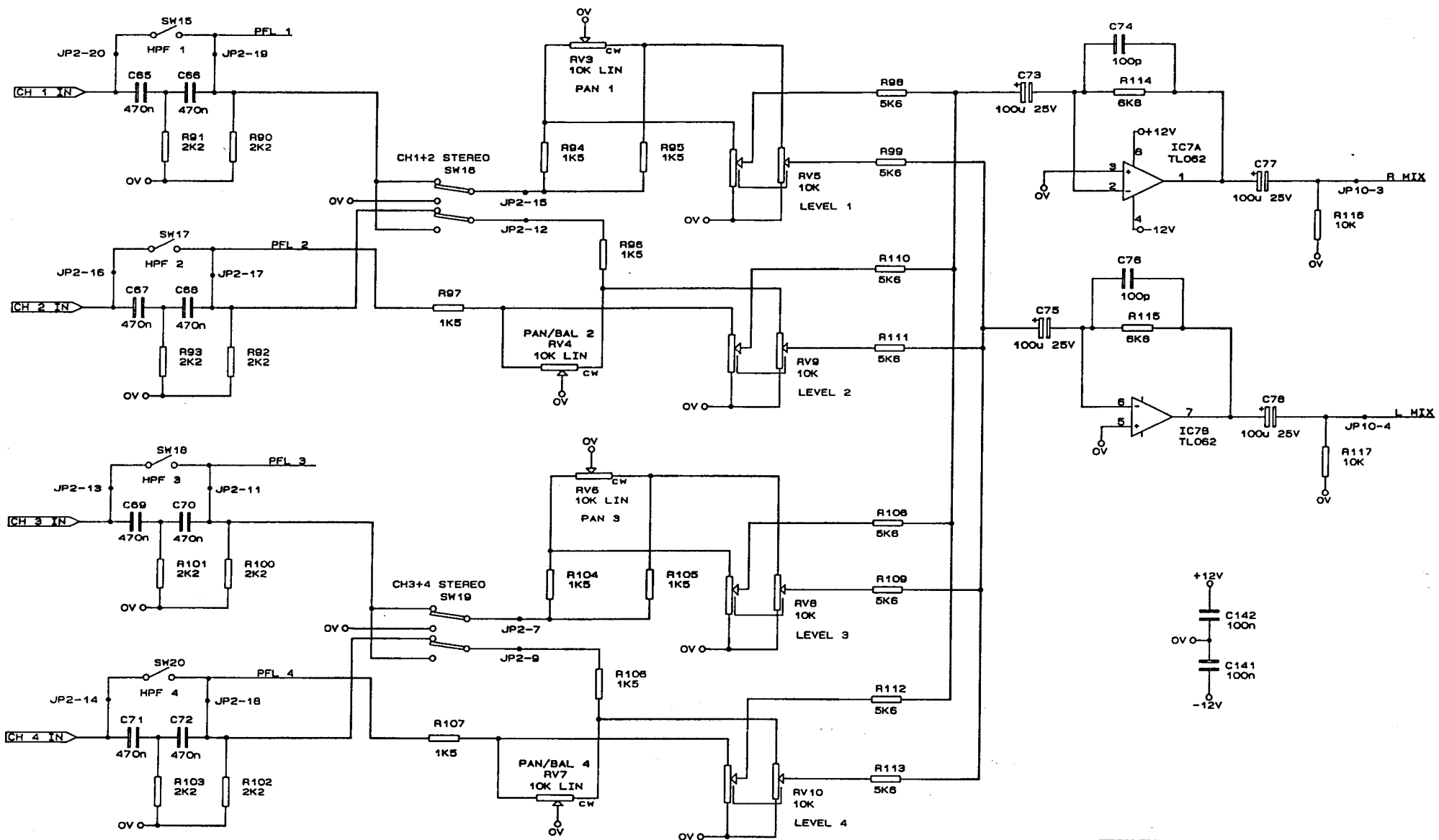
SONIC TOUCH LIMITED
 COPYRIGHT 1982
 Title PORTABLE 4:2 MIXER
 Size Document Number CD1076
 REV 2
 Date: March 17, 1983 Sheet 2 of 10



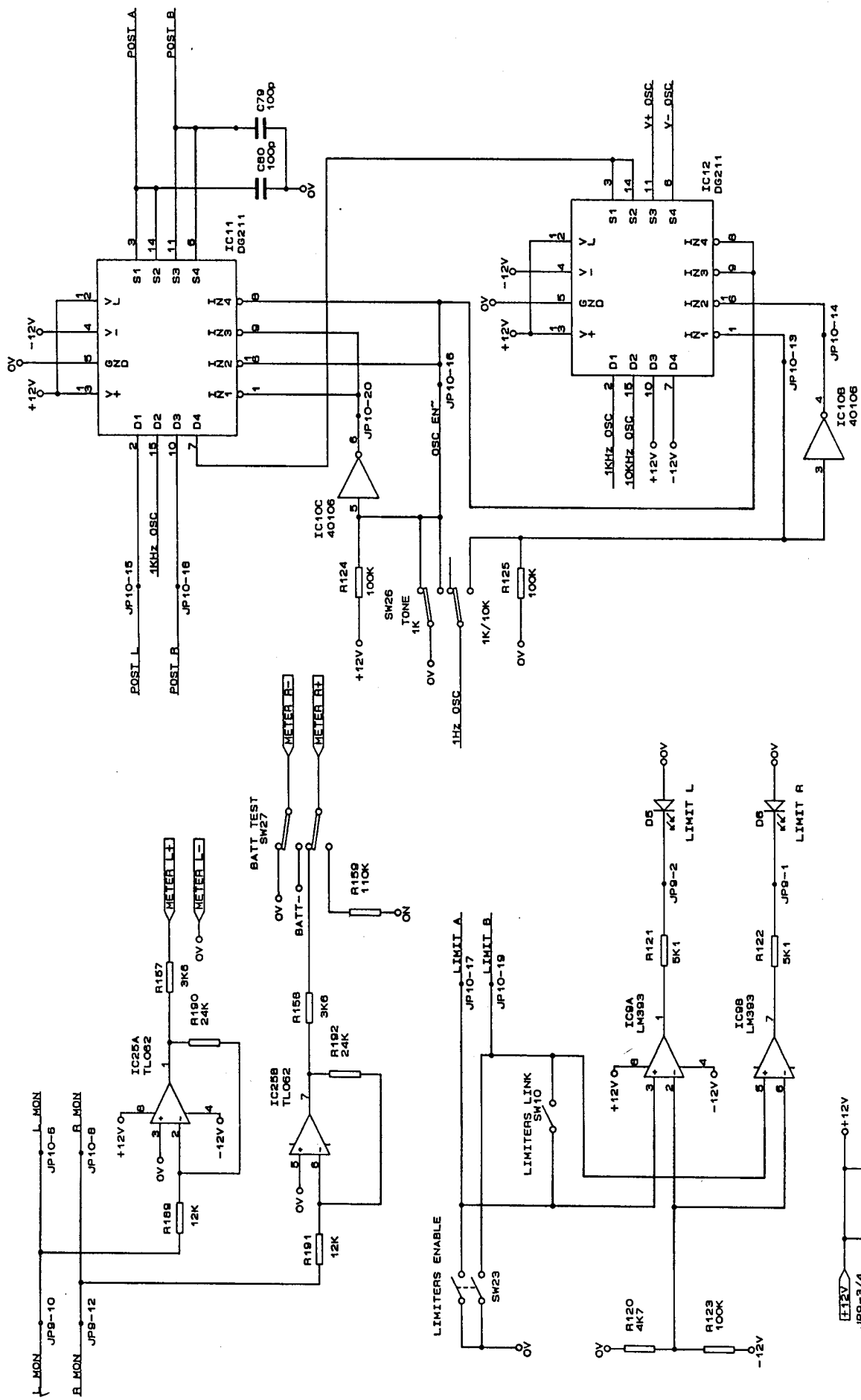
SONIC TOUCH LIMITED		
COPYRIGHT 1992		
PORTABLE 4:2 MIXER		
Title		
Size	Document Number	REV
B	CD1075	2
Date:	March 17, 1993	Sheet 3 of 10



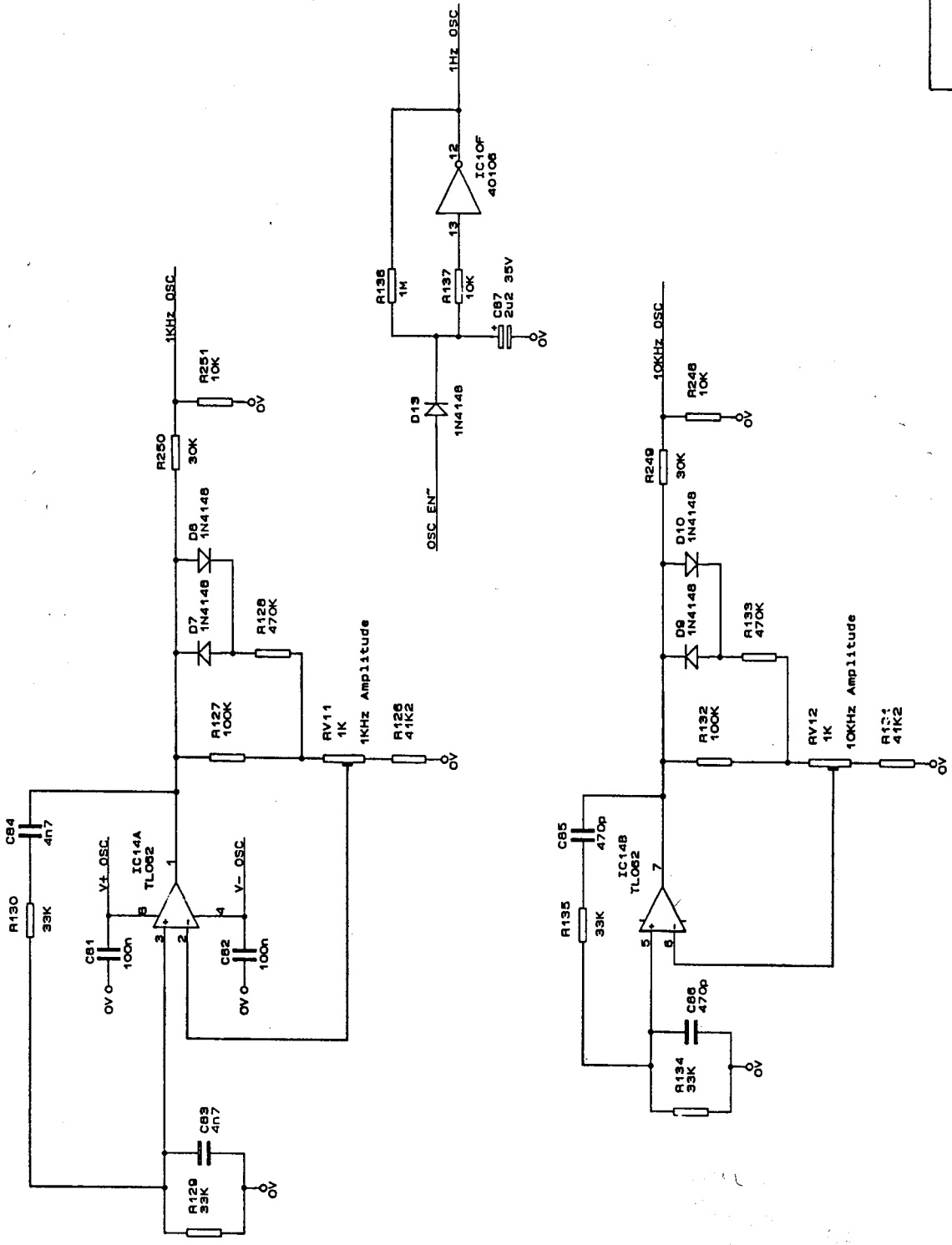
SONIC TOUCH LIMITED	
COPYRIGHT 1993	
PORTABLE 4:2 MIXER	
Title	
Size Document Number	
B	CD1075
Date:	May 5, 1993 Sheet 4 of 11
	REV 2



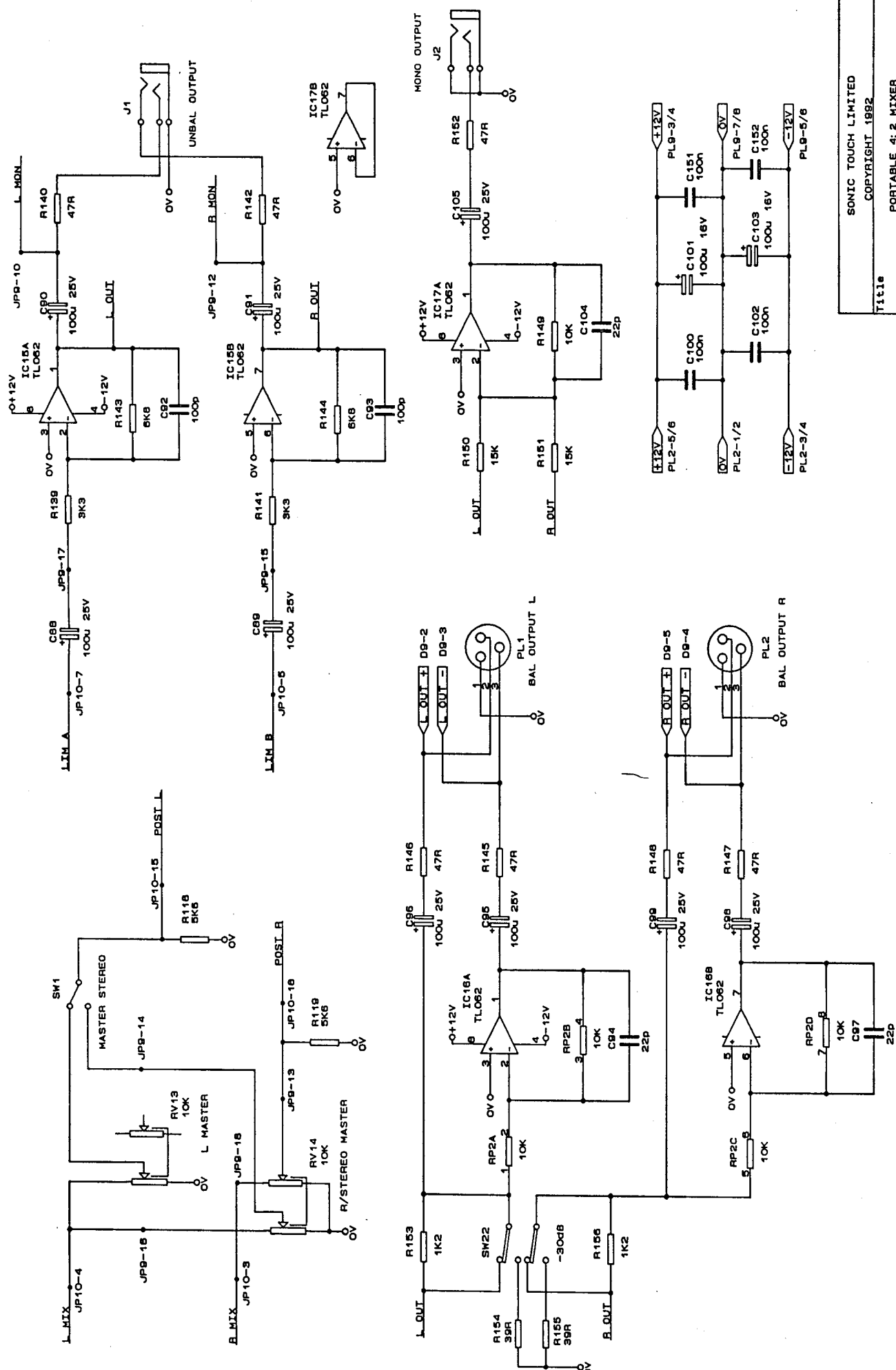
SONIC TOUCH LIMITED		
COPYRIGHT 1992		
Title		
PORTABLE 4:2 MIXER		
Size	Document Number	REV
B	CD1075	2
Date:	March 17, 1993	Sheet 5 of 10



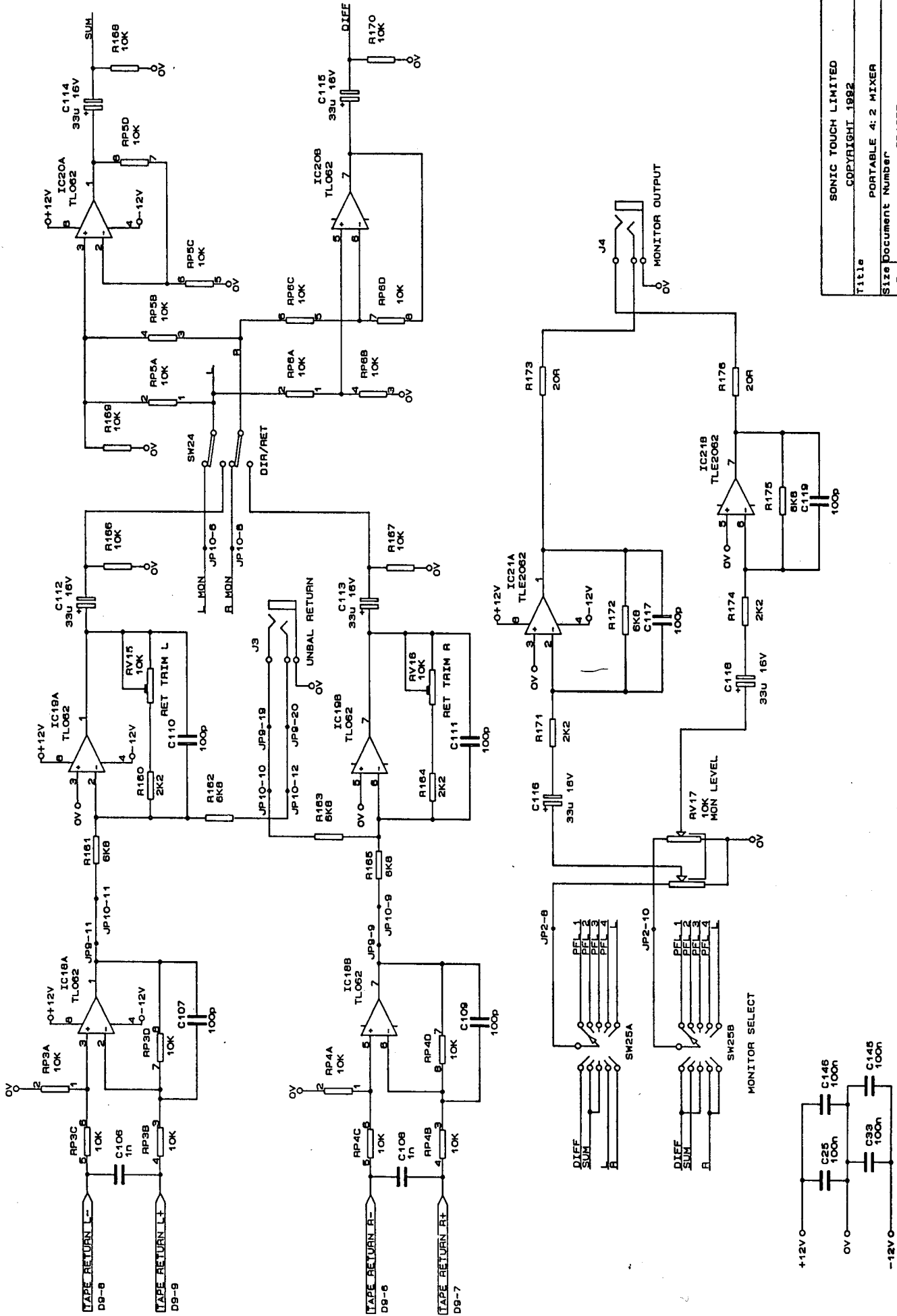
SONIC TOUCH LIMITED	
COPYRIGHT 1992	
PORTABLE 4:2 MIXER	
Title	REV 2
Size Document Number	CD1075
Date:	MAR 20 17 1992 Sheet 6 of 10



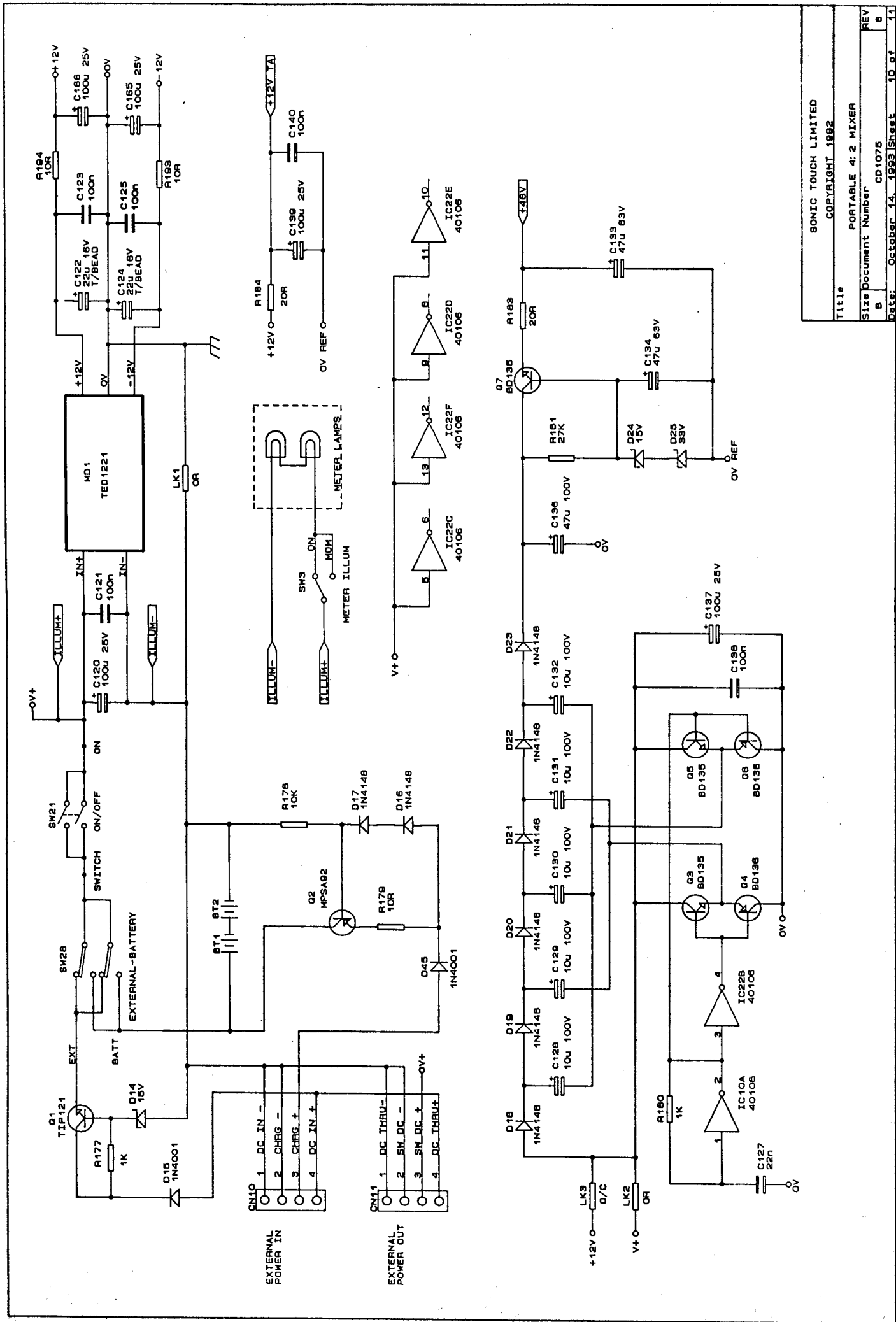
SONIC TOUCH LIMITED	
COPYRIGHT 1992	
Title	
PORTABLE 4:2 MIXER	
Size	Document Number
B	CD1075
Date:	May 5, 1993 Sheet 2 of 10

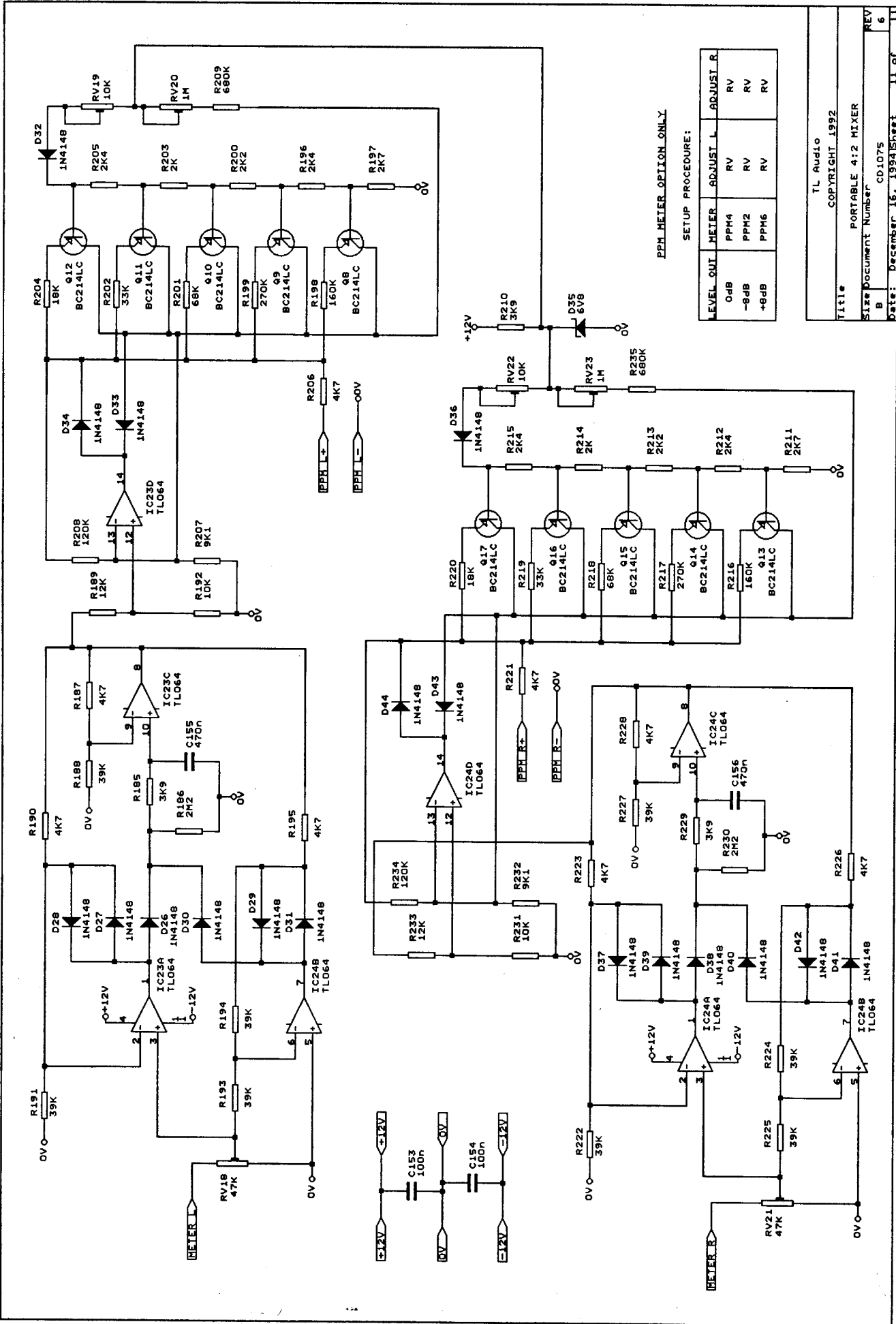


SONIC TOUCH LIMITED	
COPYRIGHT 1992	
Title	PORTABLE 4: 2 MIXER
Size	Document Number CD1075
REV	B
Date	March 17, 1993 Sheet 6 of 10



SONIC TOUCH LIMITED	
COPYRIGHT 1992	
Title	PORTABLE 4:2 MIXER
Size Document Number	CD1075
B	2
Date	March 17, 1993 Sheet 9 of 10





PPM METER OPTION ONLY

SETUP PROCEDURE:

LEVEL	OUT	METER	ADJUST	L	ADJUST	R
0dB	PPM4	RV	RV	RV	RV	RV
-8dB	PPM2	RV	RV	RV	RV	RV
+8dB	PPM6	RV	RV	RV	RV	RV