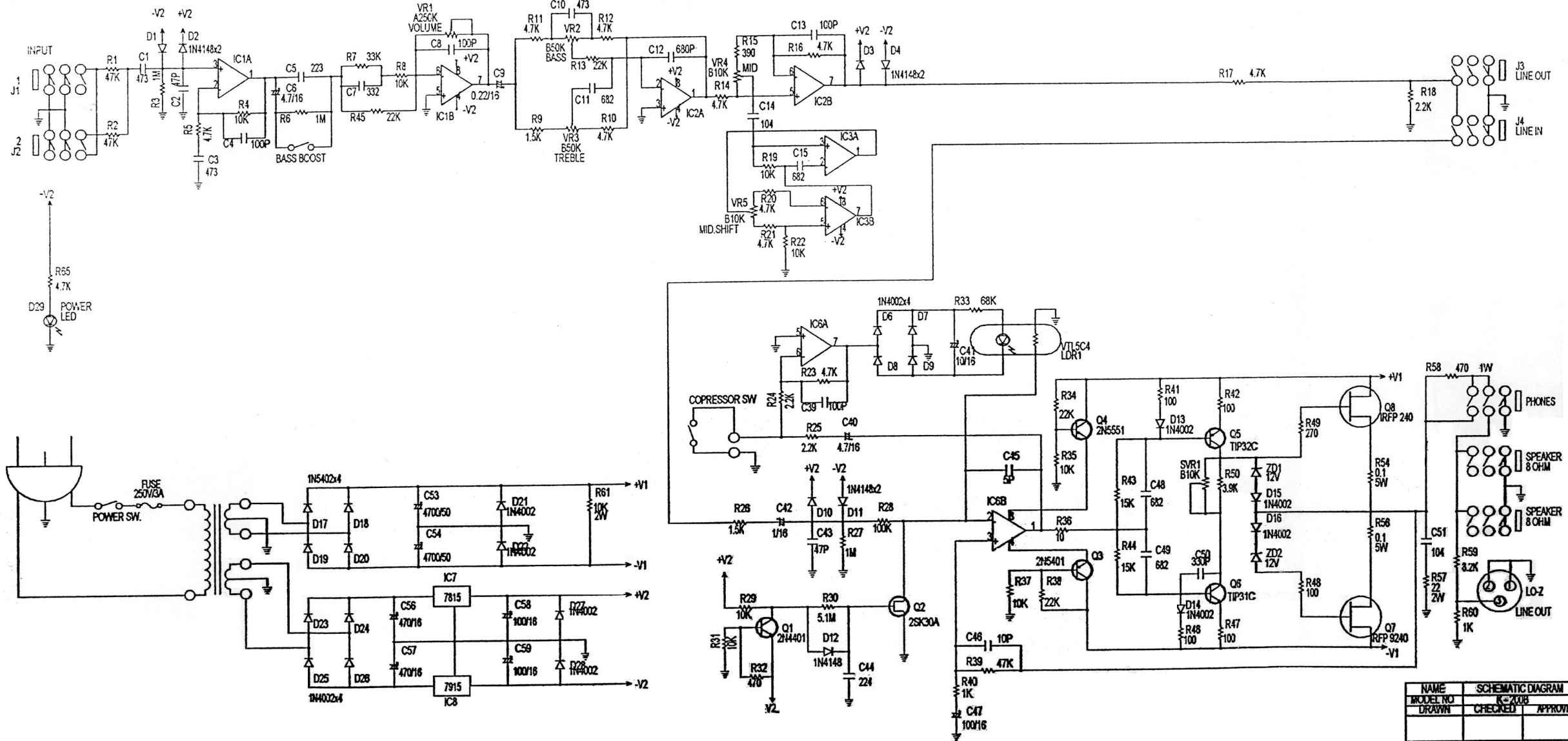


SCHEMATIC DIAGRAM K-200B



NAME	SCHEMATIC DIAGRAM	
MODEL NO	K-200B	
DRAWN	CHECKED	APPROVED