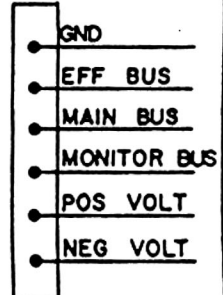
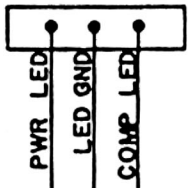
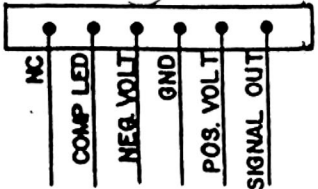
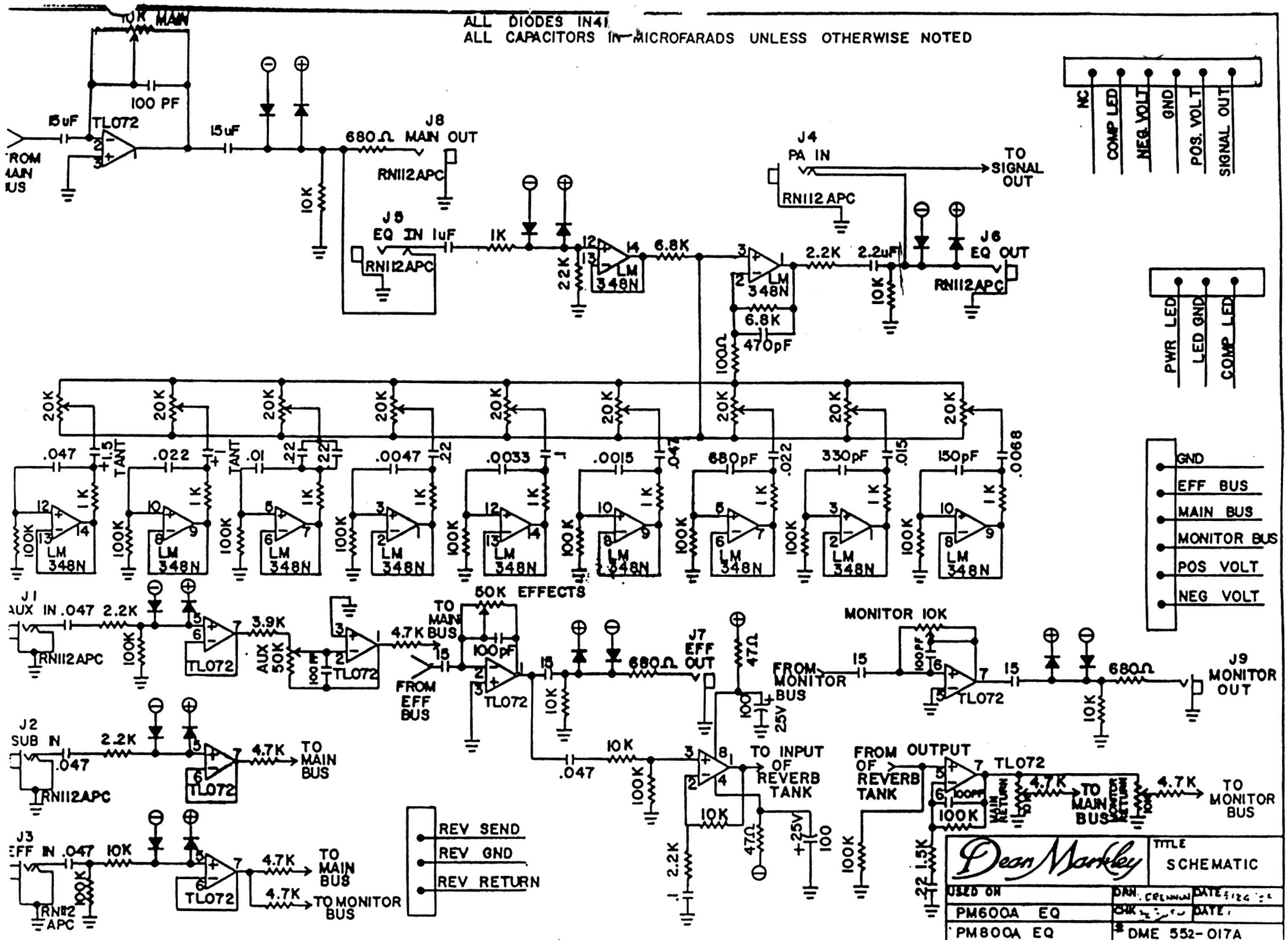


ALL DIODES IN41  
ALL CAPACITORS IN MICROFARADS UNLESS OTHERWISE NOTED



<i>Dean Markley</i>		TITLE SCHEMATIC	
USED ON	DRAWN BY	CHECKED BY	DATE
PM600A EQ	DMK		5/24/74
PM800A EQ			
		* DME 552-017A	