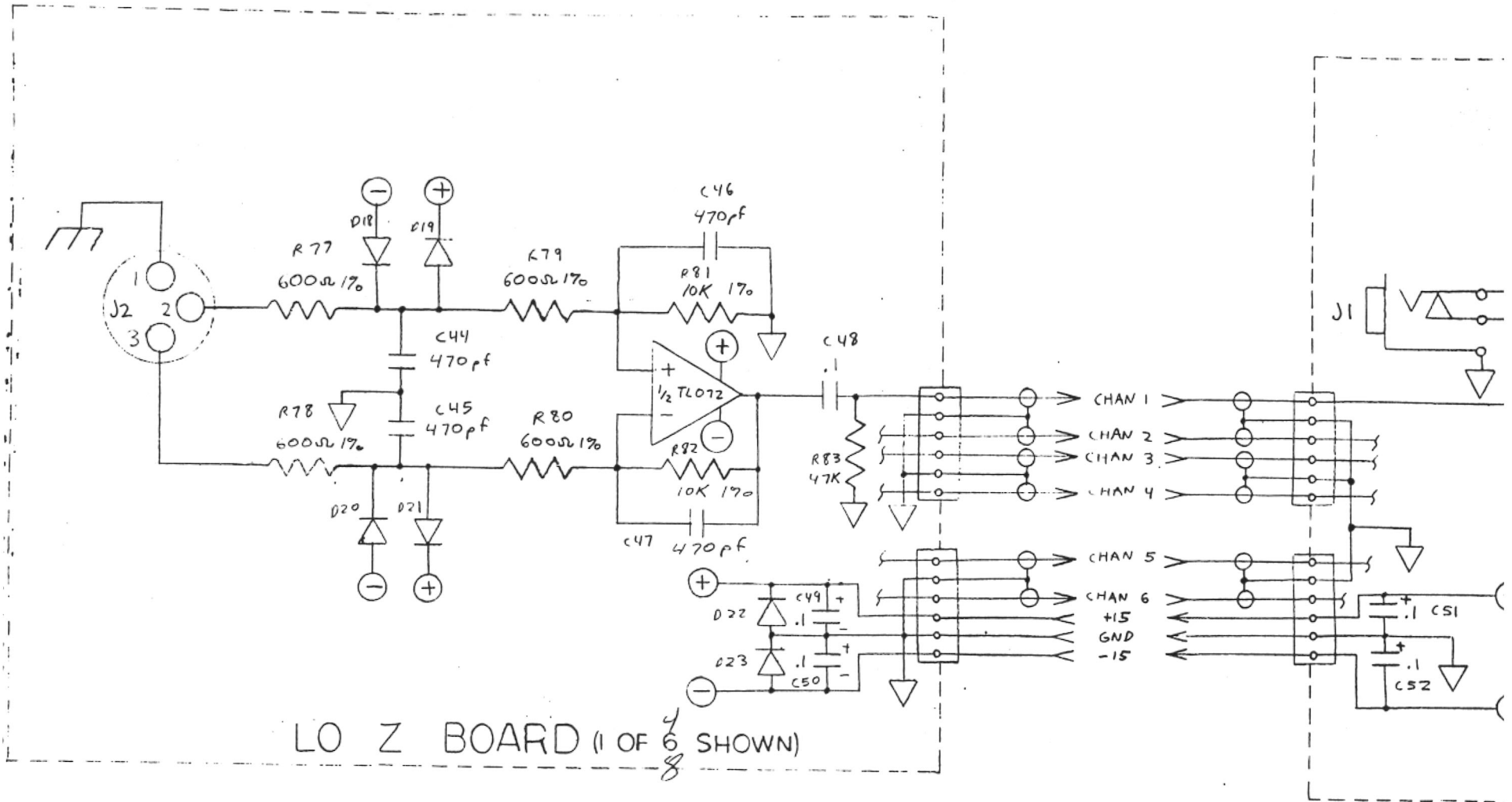


# EQ BOARD



pin 400/600/800 LO Z board