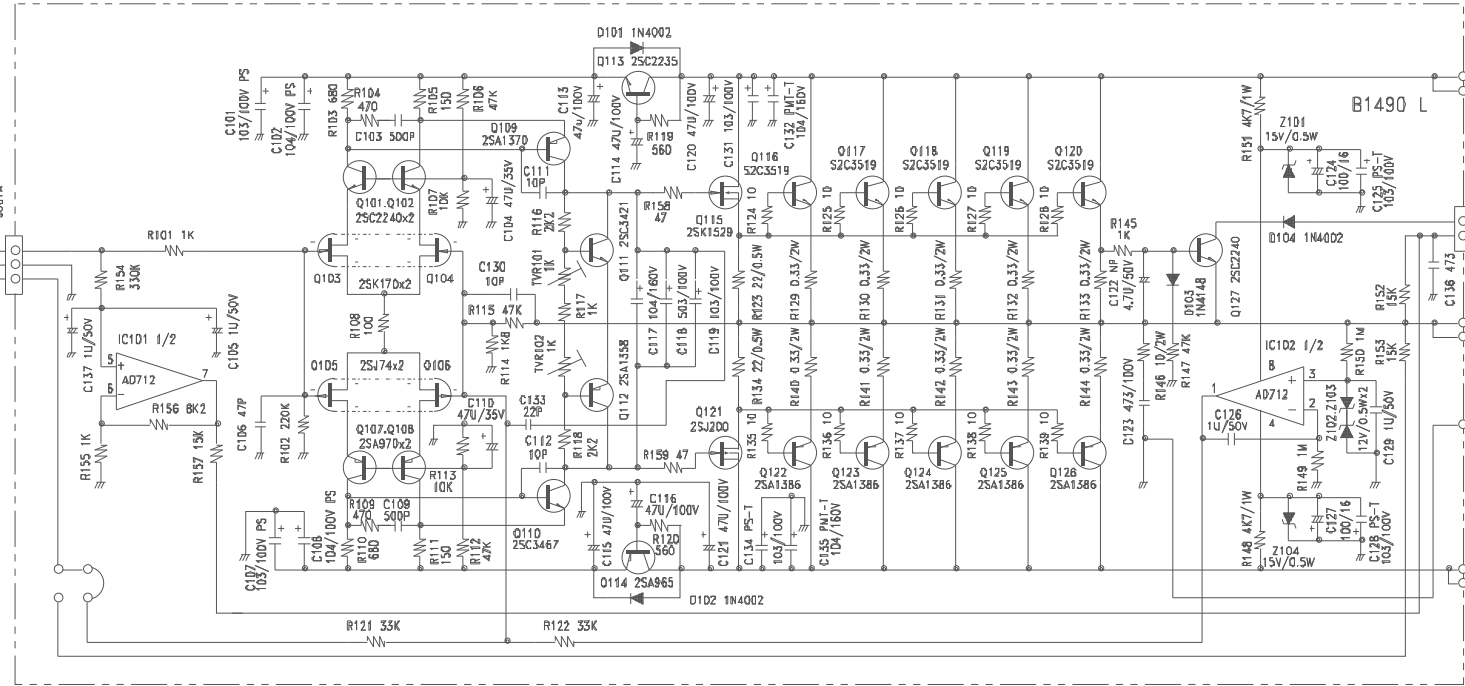
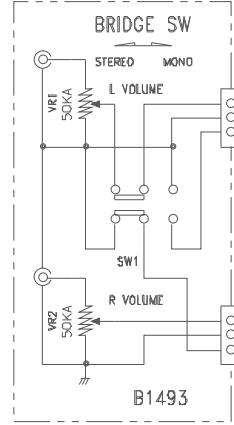
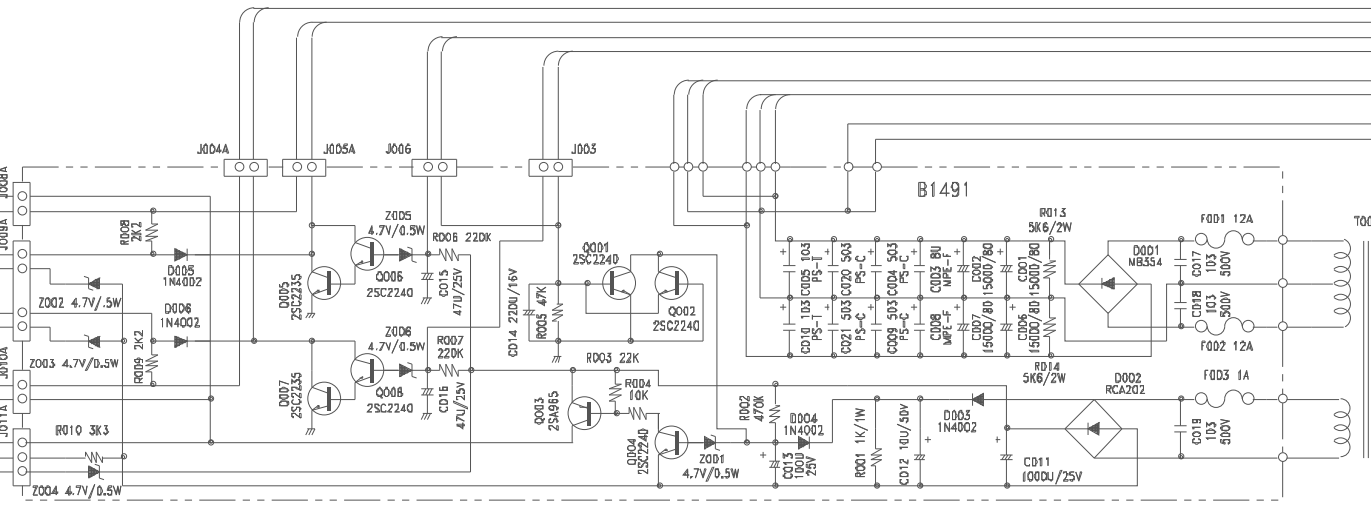
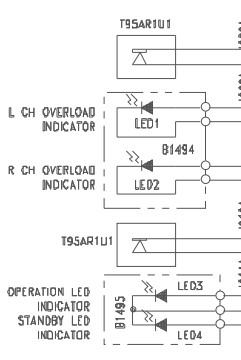
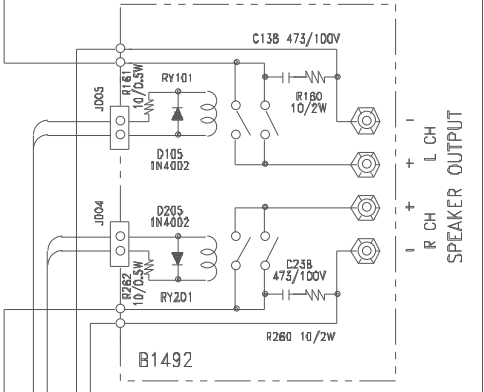


LINE INPUT



Parasound
HCA-1200 II
HIGH CURRENT POWER AMPLIFIER
DATE : JUL.22.1993

R CH SAME AS L CH



CHASSIS GROUND A 2 : 0.687 A 3 : 0.446