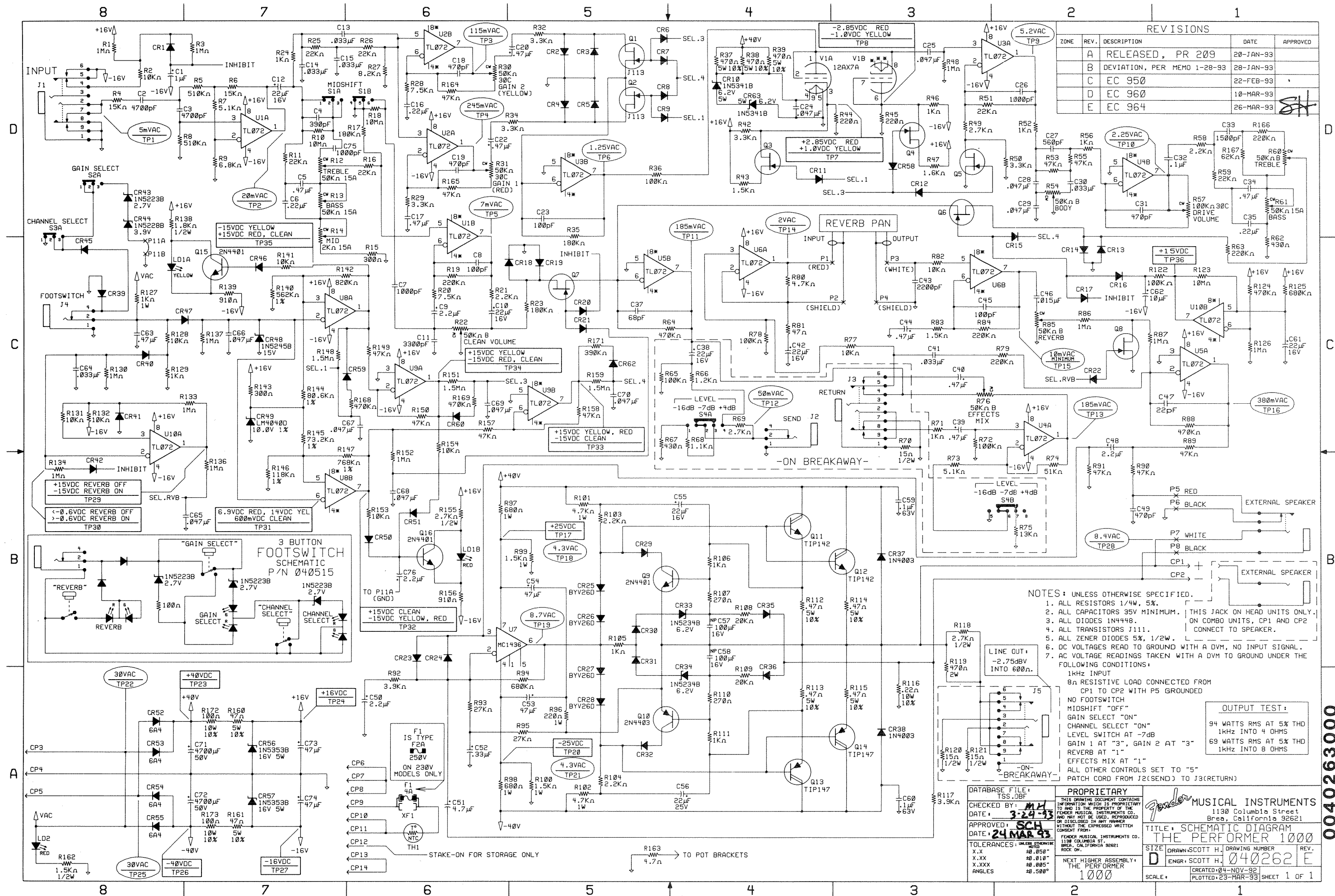


REVISIONS				
ZONE	REV.	DESCRIPTION	DATE	APPROVED
	A	RELEASED, PR 209	20-JAN-93	
	B	DEVIATION, PER MEMO 1-28-93	28-JAN-93	
	C	EC 950	28-FEB-93	
	D	EC 960	10-MAR-93	
	E	EC 964	26-MAR-93	



NOTES: UNLESS OTHERWISE SPECIFIED.

- ALL RESISTORS 1/4W, 5%.
- ALL CAPACITORS 35V MINIMUM.
- ALL DIODES 1N4448.
- ALL TRANSISTORS J111.
- ALL ZENER DIODES 5%, 1/2W.
- DC VOLTAGES READ TO GROUND WITH A DVM, NO INPUT SIGNAL.
- AC VOLTAGE READINGS TAKEN WITH A DVM TO GROUND UNDER THE FOLLOWING CONDITIONS:  
1kHz INPUT  
8Ω RESISTIVE LOAD CONNECTED FROM CP1 TO CP2 WITH P5 GROUNDED  
NO FOOTSWITCH  
MIDSHIFT "OFF"  
GAIN SELECT "ON"  
CHANNEL SELECT "ON"  
LEVEL SWITCH AT -7dB  
GAIN 1 AT "3", GAIN 2 AT "3"  
REVERB AT "1"  
EFFECTS MIX AT "1"  
ALL OTHER CONTROLS SET TO "5"  
PATCH CORD FROM J2(SEND) TO J3(RETURN)

OUTPUT TEST:

94 WATTS RMS AT 5% THD  
1KHZ INTO 4 OHMS

69 WATTS RMS AT 5% THD  
1KHZ INTO 8 OHMS

DATABASE FILE: TSS.DBF	PROPRIETARY	FENDER MUSICAL INSTRUMENTS 1130 Columbia Street Brea, California 92621
CHECKED BY: DATE: 3-24-93	APPROVED: DATE: 24 MAR 93	TITLE: SCHEMATIC DIAGRAM THE PERFORMER 1000
TOLERANCES: X.X X.XX X.XXX ANGLES	NEXT HIGHER ASSEMBLY: THE PERFORMER 1000	SIZE: D DRAWN: SCOTT H. ENGR: SCOTT H. DRAWING NUMBER: 040262 REV. E
	SCALE:	CREATED: 04-NOV-92 PLOTTED: 23-MAR-93 SHEET 1 OF 1

0040263000

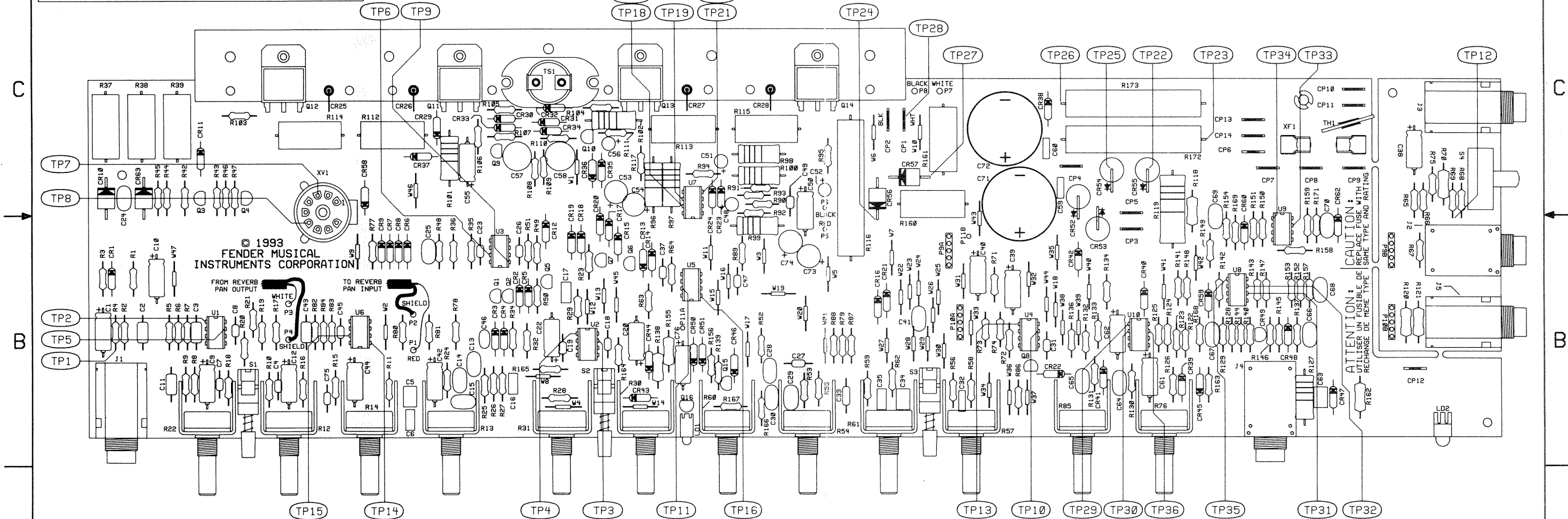
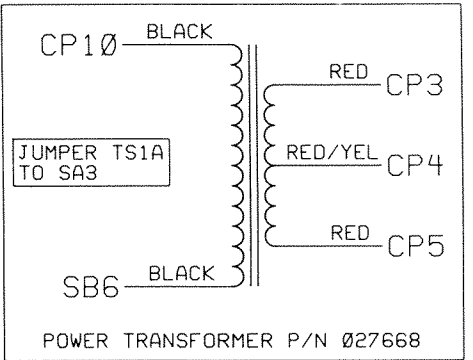
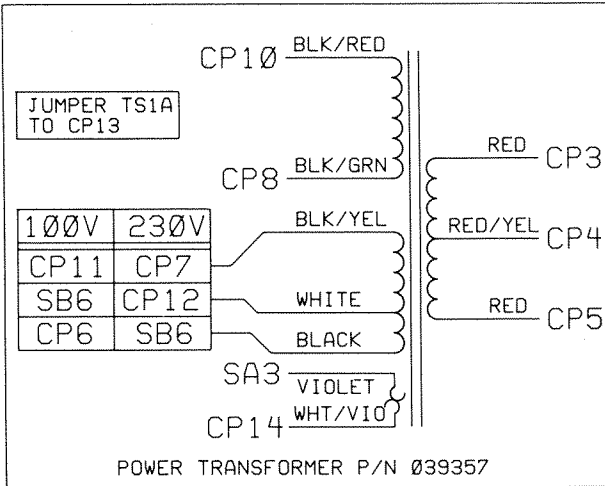
8 7 6 5 4 3 2 1

EXPORT MODELS

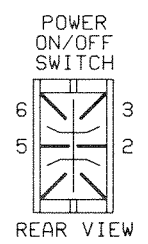
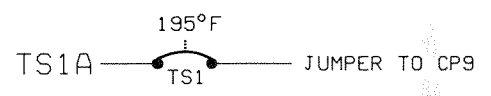
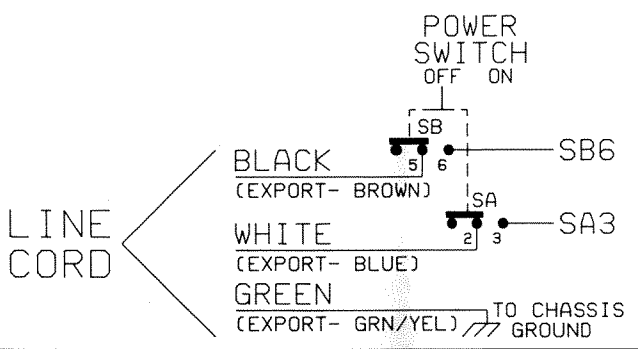
DOMESTIC MODEL

FILM/DWG: SERVICE DIAGRAM  
 DATABASE: TSPSER.DBF DATE: 06-FEB-93  
 LAYERS PLOTTED: 1 2 3 4 10  
 15 19

REVISIONS				
ZONE	REV.	DESCRIPTION	DATE	APPROVED
	A	RELEASED, EC 950	26-FEB-93	MA



© 1993 FENDER MUSICAL INSTRUMENTS CORPORATION



DATABASE FILE: TSPSER.DBF  
 CHECKED BY: MA  
 DATE: 2-25-93  
 APPROVED: [Signature]  
 DATE: 25-FEB-93  
 TOLERANCES: UNLESS OTHERWISE NOTED  
 X.X ±0.050"  
 X.XX ±0.010"  
 X.XXX ±0.005"  
 ANGLES ±0.500°

**PROPRIETARY**  
 THIS DRAWING CONTAINS INFORMATION WHICH IS PROPRIETARY TO AND IS THE PROPERTY OF THE FENDER MUSICAL INSTRUMENTS CO. AND MAY NOT BE USED, REPRODUCED OR DISCLOSED IN ANY MANNER WITHOUT THE EXPRESSED WRITTEN CONSENT FROM:  
 FENDER MUSICAL INSTRUMENTS CO.  
 1130 COLUMBIA ST.  
 BREA, CALIFORNIA 92621  
 ROCK ON.  
 NEXT HIGHER ASSEMBLY:  
 THE PERFORMER

**Fender MUSICAL INSTRUMENTS**  
 1130 Columbia Street  
 Brea, CA 92621  
 TITLE: SERVICE DIAGRAM THE PERFORMER 1000  
 SIZE: DRAWN: SCOTT H. ENGR: SCOTT H.  
 DRAWING NUMBER: 040261  
 REV. A  
 CREATED: 20-JAN-93  
 PLOTTED: 06-FEB-93  
 SCALE: SHEET 1 OF 1

8 7 6 5 4 3 2 1