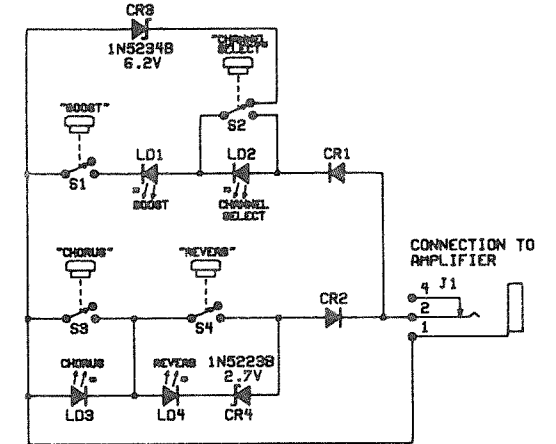
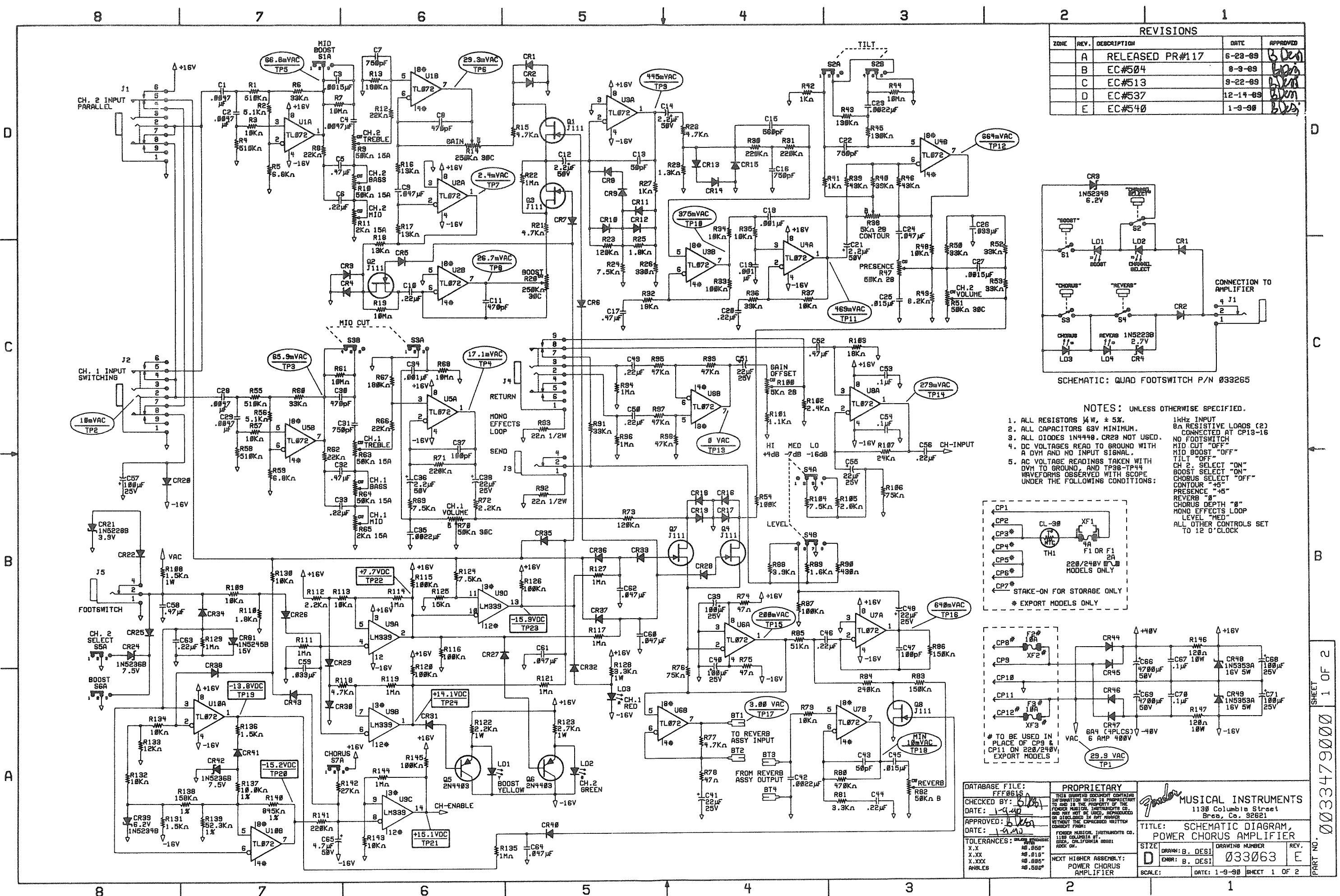


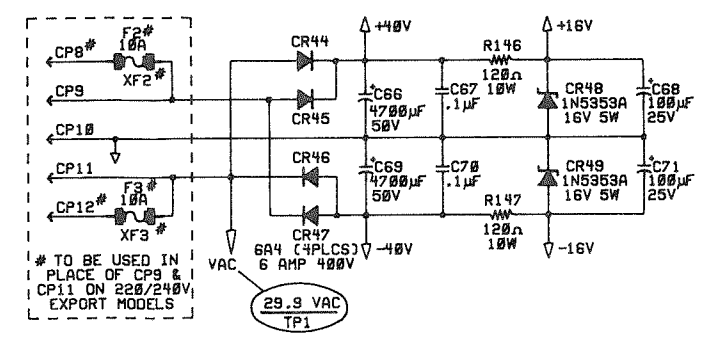
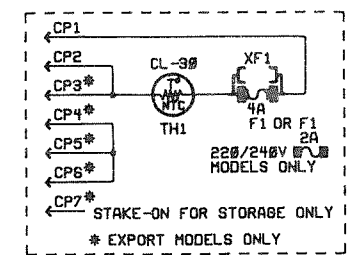
REVISIONS				
ZONE	REV.	DESCRIPTION	DATE	APPROVED
	A	RELEASED PR#117	6-23-89	B. Desi
	B	EC#504	8-3-89	B. Desi
	C	EC#513	9-22-89	B. Desi
	D	EC#537	12-14-89	B. Desi
	E	EC#540	1-9-90	B. Desi



SCHEMATIC: QUAD FOOTSWITCH P/N 033265

NOTES: UNLESS OTHERWISE SPECIFIED.

- ALL RESISTORS 1/4W, ± 5%.
- ALL CAPACITORS 63V MINIMUM.
- ALL DIODES 1N4448. CR23 NOT USED.
- DC VOLTAGES READ TO GROUND WITH A DVH AND NO INPUT SIGNAL.
- AC VOLTAGE READINGS TAKEN WITH DVH TO GROUND, AND TP38-TP44 WAVEFORMS OBSERVED WITH SCOPE UNDER THE FOLLOWING CONDITIONS:



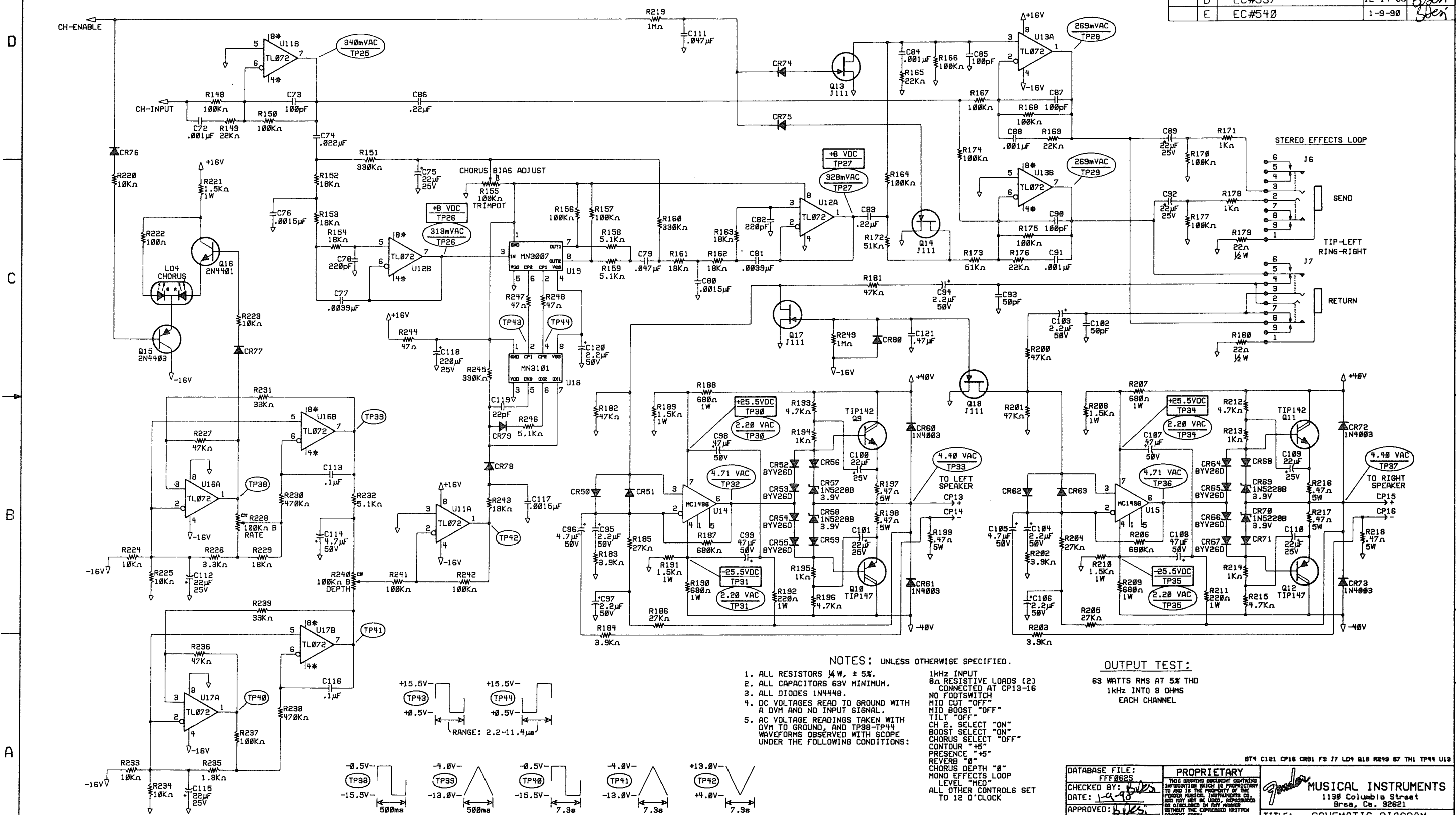
DATABASE FILE: FFF061S
 CHECKED BY: B. Desi
 DATE: 1-9-90
 APPROVED: B. Desi
 DATE: 1-9-90
 TOLERANCES: UNLESS OTHERWISE SPECIFIED:
 X.X .050"
 X.XX .015"
 X.XXX .005"
 ANGLES .0500"

PROPRIETARY
 THIS DRAWING DOCUMENT CONTAINS INFORMATION WHICH IS PROPRIETARY TO AND IS THE PROPERTY OF THE FENDER MUSICAL INSTRUMENTS CO. AND MAY NOT BE USED, REPRODUCED OR DISCLOSED IN ANY MANNER WITHOUT THE EXPRESSED WRITTEN CONSENT FROM:
 FENDER MUSICAL INSTRUMENTS CO., 1198 COLUMBIA ST., BREA, CALIFORNIA 92621, ROCK ON.
 NEXT HIGHER ASSEMBLY: POWER CHORUS AMPLIFIER

MUSICAL INSTRUMENTS
 1198 Columbia Street
 Brea, Ca. 92621
 TITLE: SCHEMATIC DIAGRAM, POWER CHORUS AMPLIFIER
 SIZE: D
 DRAWN: B. DESI
 ENGR: B. DESI
 DRAWING NUMBER: 033063
 REV. E
 SCALE: DATE: 1-9-90 SHEET 1 OF 2

SHEET 1 OF 2

REVISIONS				
ZONE	REV.	DESCRIPTION	DATE	APPROVED
	A	RELEASED PR#117	6-23-89	5 Den
	B	EC#504	8-3-89	5 Den
	C	EC#513	9-22-89	5 Den
	D	EC#537	12-14-89	5 Den
	E	EC#540	1-9-90	5 Den

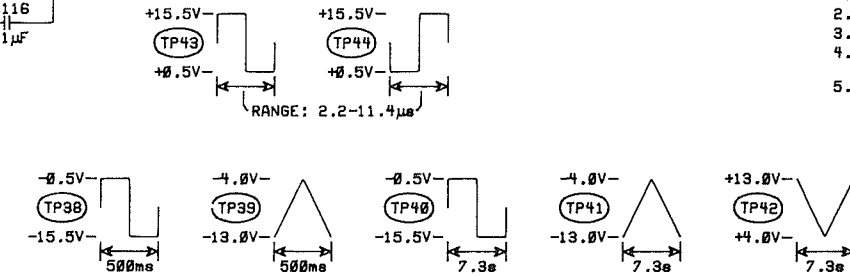


- NOTES: UNLESS OTHERWISE SPECIFIED.
1. ALL RESISTORS 1/4W, ± 5%.
 2. ALL CAPACITORS 63V MINIMUM.
 3. ALL DIODES 1N4448.
 4. DC VOLTAGES READ TO GROUND WITH A DVM AND NO INPUT SIGNAL.
 5. AC VOLTAGE READINGS TAKEN WITH DVM TO GROUND AND TP38-TP44 WAVEFORMS OBSERVED WITH SCOPE UNDER THE FOLLOWING CONDITIONS:

1KHz INPUT
 8Ω RESISTIVE LOADS (2)
 CONNECTED AT CP13-16
 NO FOOTSWITCH
 MID CUT "OFF"
 MID BOOST "OFF"
 TILT "OFF"
 CH 2. SELECT "ON"
 BOOST SELECT "ON"
 CHORUS SELECT "OFF"
 CONTOUR "+5"
 PRESENCE "+5"
 REVERB "B"
 CHORUS DEPTH "0"
 MONO EFFECTS LOOP
 LEVEL "MED"
 ALL OTHER CONTROLS SET
 TO 12 O'CLOCK

OUTPUT TEST:

63 WATTS RMS AT 5% THD
 1KHz INTO 8 OHMS
 EACH CHANNEL



BT4 C121 CP16 CR81 FS J7 LQ4 Q16 R249 R7 TH1 TP44 U18

DATABASE FILE: FFF0625
 CHECKED BY: [Signature]
 DATE: 1-9-90
 APPROVED: [Signature]
 DATE: 1-9-90
 TOLERANCES: UNLESS OTHERWISE SPECIFIED:
 X.X ± .050"
 X.XX ± .010"
 X.XXX ± .005"
 ANGLES ± .000"

PROPRIETARY
 THIS DRAWING DOCUMENT CONTAINS INFORMATION WHICH IS PROPRIETARY TO AND IS THE PROPERTY OF THE FENDER MUSICAL INSTRUMENTS CO. AND NOT BE LOANED, REPRODUCED OR DISCLOSED IN ANY MANNER WITHOUT THE WRITTEN CONSENT OF FENDER.
 FENDER MUSICAL INSTRUMENTS CO.
 1130 COLUMBIA ST.
 BREA, CALIFORNIA 92621
 ROCK ON.

MUSICAL INSTRUMENTS
 1130 Columbia Street
 Brea, Ca. 92621

TITLE: SCHEMATIC DIAGRAM,
 POWER CHORUS AMPLIFIER

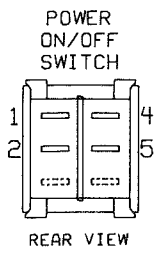
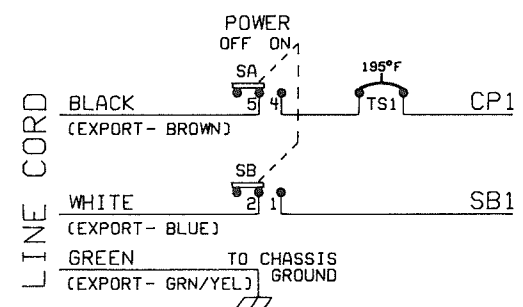
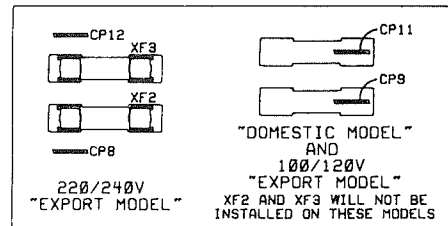
SIZE: D
 DRAWN: B. DESI
 ENGR: B. DESI
 DRAWING NUMBER: 0033063
 REV: E

SCALE: DATE: 1-9-90 SHEET 2 OF 2

PART NO. 0033479000 SHEET 2 OF 2

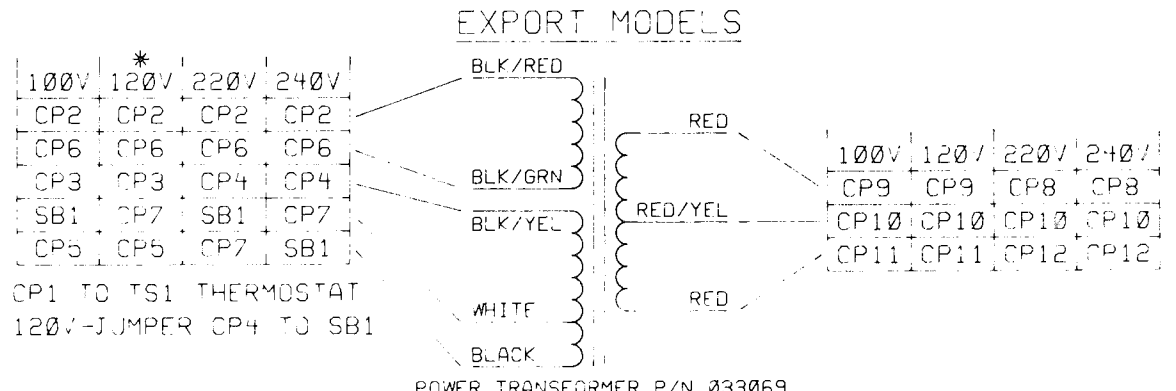
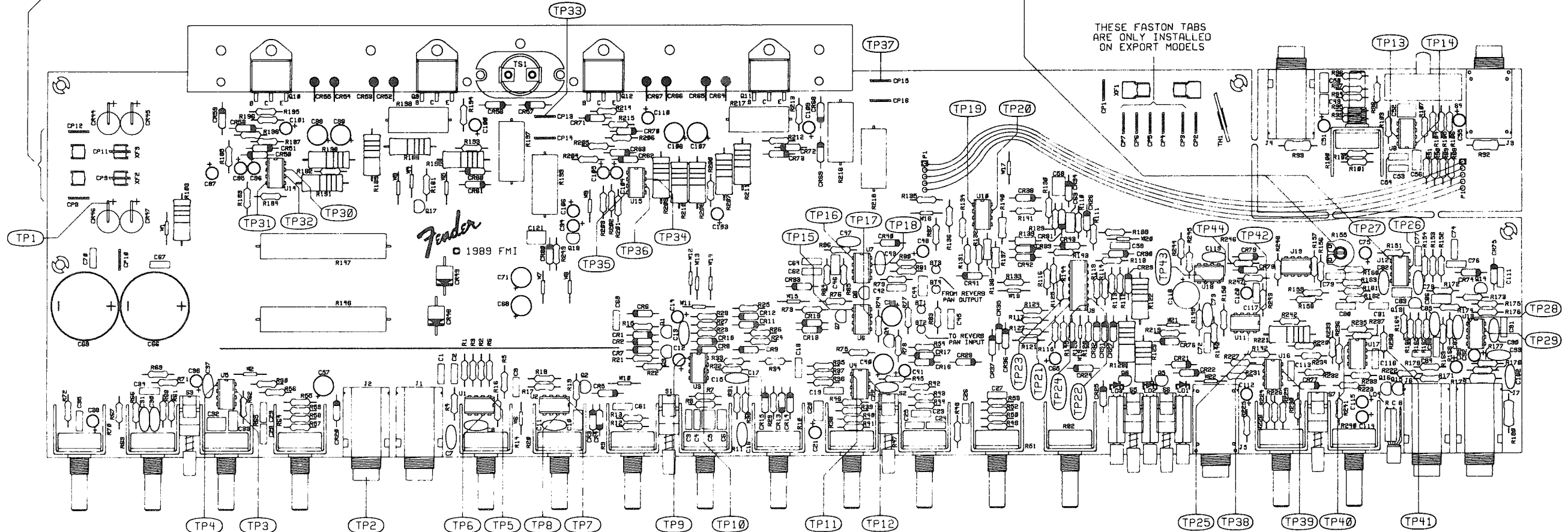
8 7 6 5 4 3 2 1

REVISIONS				
ZONE	REV.	DESCRIPTION	DATE	APPROVED
	A	RELEASED PR#117	6-23-89	B. Desi
	B	EC#513	9-22-89	B. Desi
	C	EC#537	12-14-89	B. Desi



CHORUS BIAS ADJUSTMENT:
 SET CHORUS RATE AND DEPTH CONTROLS FULLY CLOCKWISE. SET REAR PANEL EFFECTS LOOP LEVEL TO "MED" WITH 0dB OF GAIN OFFSET. INSERT A 1KHZ SINE WAVE AT ABOUT 1.2 VOLTS RMS TO THE POWER AMP IN JACK (J4). ADJUST TRIMPOT R155 FOR SYMMETRICAL CLIPPING AT U12 PIN 1 (TP27).

THESE FASTON TABS ARE ONLY INSTALLED ON EXPORT MODELS



FILM/DWG: SERVICE DIAGRAM
 DATABASE: FFF06SER DATE: 12-14-89
 LAYERS PLOTTED: 1 2 3 4 10
 15 19

DATABASE FILE: FFF06SER
 CHECKED BY: B. Desi
 DATE: 12-14-89
 APPROVED: B. Desi
 DATE: 12-14-89
 TOLERANCES: UNLESS OTHERWISE NOTED
 X.X ±0.050"
 X.XX ±0.010"
 X.XXX ±0.005"
 ANGLES ±0.500°

PROPRIETARY
 THIS DRAWING DOCUMENT CONTAINS INFORMATION WHICH IS PROPRIETARY TO AND IS THE PROPERTY OF THE FENDER MUSICAL INSTRUMENTS CO. AND MAY NOT BE USED, REPRODUCED OR DISCLOSED IN ANY MANNER WITHOUT THE EXPRESSED WRITTEN CONSENT FROM:
 FENDER MUSICAL INSTRUMENTS CO.
 1130 COLUMBIA ST.
 BREA, CALIFORNIA 92621
 ROCK TILL YOU DROP
 NEXT HIGHER ASSEMBLY: POWER CHORUS AMPLIFIER

Fender MUSICAL INSTRUMENTS
 1130 Columbia Street
 Brea, Ca. 92621
 TITLE: SERVICE DIAGRAM FOR POWER CHORUS AMPLIFIER
 SIZE: B DRAWN: B. DESI DRAWING NUMBER: 033067 REV. C
 ENGR: B. DESI
 SCALE: DATE: 12-14-89 SHEET 1 OF 1

PART NO. 033067000 SHEET 1 OF 1

8 7 6 5 4 3 2 1