

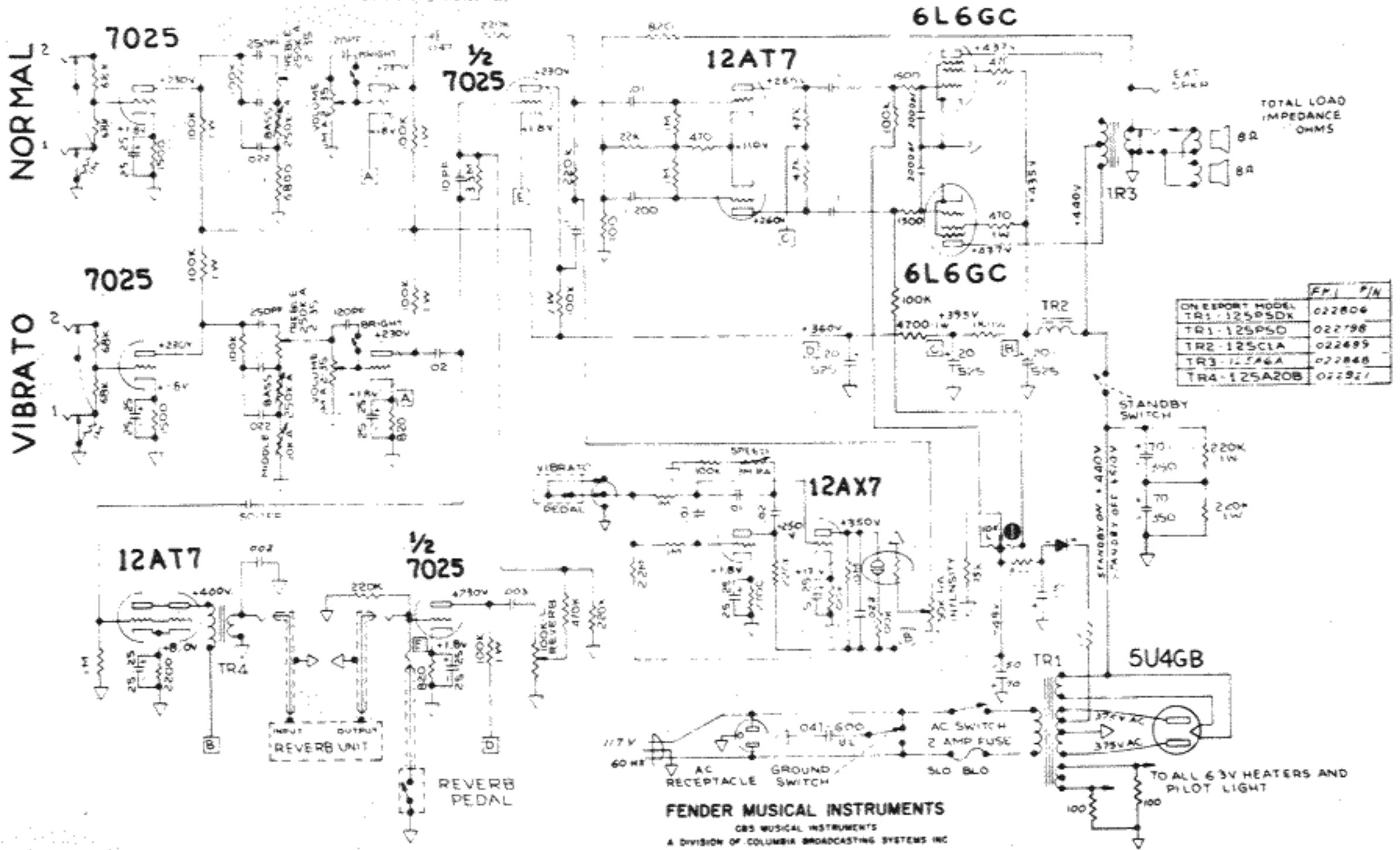
ENDER
MODEL

"PRO REVERB-AMP A270" SCHEMATIC

NOTICE

THIS PRODUCT MANUFACTURED UNDER ONE
PATENT IN THE FOLLOWING COUNTRIES:
U.S. PATENT NO. 2,823,000
CANADA PATENT NO. 708,800
FRANCE PATENT NO. 1,047,859
GERMANY PATENT NO. 1,047,859
ITALY PATENT NO. 282,300

1. ALL VOLTAGES ARE MEASURED WITH THE CATHODE GROUND.
2. ALL VOLTAGES ARE MEASURED WITH THE CATHODE GROUND.
3. ALL VOLTAGES ARE MEASURED WITH THE CATHODE GROUND.
4. ALL VOLTAGES READ WITH VIBRATO PEDAL GROUND AND NO INPUT SIGNAL.



FENDER MUSICAL INSTRUMENTS
A DIVISION OF COLUMBIA BROADCASTING SYSTEMS INC.
FULLERTON, CALIFORNIA
U.S.A.