

1. BOM

Rank	Part No.	Description	Specification	QTY	remark
PF03818		MIXING CONSOLE	M.1000USB_PROEL_230V/50HZ_PRC	1.00	
0002	MB05483	chassis-RS	M.1000 PROEL_V1.0	1.00	
0003	MI04332	fixed bracket-RS	M1.000 0.8t*268.5*48*81.2(left)_V1.2	1.00	
0004	MI04333	fixed bracket-RS	M.1000 0.8t*256*47.8*81.2(right)_V1.0	1.00	
0005	MI04532	fixed bracket-RS	M.1000 271*136*12_V1.1	1.00	
0006	NI05109	wire sleeve-RS	5.3*20mm	1.00	
0007	NI05110	wire sleeve-RS	5.3*40mm	1.00	
0008	MI04313	heat-sink-RS	HP-D 1000 4.3*230*131*28_V1.0	1.00	
0009	NA00729	bag-RS-CT	M.1000 PROEL_V1.0	1.00	
0010	NB05517	gift carton-RS	M.1000 PROEL_V1.0	1.00	
0011	NB05508	carton-RS	M.1000 PROEL_V1.0	1.00	
0012	HC00876	terminal block-RS	7ESDP-02P	1.00	
0013	NC00131	washer	1*φ11.3*φ15.3 red	2.00	
0014	NI00002	plastic nut-RS	φ7/16**G20/15*4.8	2.00	
0015	NI04880	handle-RS	428.62*90.409*27 black(right)_V1.0	1.00	
0016	NI04879	handle-RS	428.62*90.409*27 black(left)_V1.0	1.00	
0017	HJ00006	dessicant	30g	1.00	
0018	NE02486	label	MADE IN CHINA	2.00	
0019	NA00122	PE bag	0.04t*350*230mm	1.00	
0020	NA00235	PE bag	0.05t*650*550mm	1.00	
0021	NE17658	lable-RS	PROEL_V1.0	1.00	
0022	AF00115	list-RS-CT	POREL_V1.1	1.00	
0023	NI00252	sleeve	φ4*20mm	2.00	
0024	NI00498	self-adhere foot cushion	12.7*7*6mm(SF-005)	4.00	
0025	NI00218	cable tie	ALT-102SB	8.00	
0026	MG00304	copper pillar	M3*14*0.5PH	24.00	
0027	MG00643	screw	M3*10_V1.0	2.00	
0028	MG00060	screw	M3*6	2.00	
0029	MG00042	screw	M3*10	6.00	
0030	MG00041	screw	M3*6	44.00	
0031	MF00048	washer	φ4*φ8*0.5t	1.00	
0032	MF00038	washer	φ4*φ7*1t	1.00	
0033	ME00016	color nut	4m/m	1.00	
0034	MF00037	washer	φ3.2*φ5.5*1t	25.00	
0035	ME00015	color nut	3m/m	11.00	
0036	MF00061	MIC jack	φ9.6*φ13*0.5t	42.00	
0037	ME00060	MIC jack	JY-6351G-02-250	42.00	
0038	MG00580	screw	M3*10_V1.0	25.00	
0039	MG00804	screw-RS-CT	M3*6*0.5PH_V1.0	32.00	
0040	HI00171	power switch-RS	R612KKAT0F1	1.00	
0041	HI00022	power switch-RS	4p black frame red key	1.00	
0042	HC00206	BNC jack	WJ-7031(28*12.7)	1.00	
0043	HC00005	AC socket-RS	AC-008	1.00	
0044	HA00861	power cord Europe 3P	LT-312+LT-501	1.00	
0045	HA03720	signle terminal wiring	240mm UL1015 18AWG red	1.00	
0046	HA03721	signle terminal wiring	240mm UL1015 18AWG black	1.00	
0047	HA05072	wire-RS	2P-2P 230mm UL1007 24AWG PH=2.5	1.00	
0048	HA01469	wire-RS	2P 300mm UL1007 24AWG	1.00	
0049	HA01643	wire-RS	2P 390mm UL1007 24AWG	1.00	
0050	HA01385	wire-RS	2P-2P 80mm UL1007 24AWG	2.00	
0051	HA04921	wire-RS	8P-8P 600mm UL1007 28AWG	1.00	
0052	HA04517	wire-RS	3P-3P 800mm UL2547 28AWG	1.00	
0053	HA04225	wire-RS	3P-3P 350mm UL1007 24AWG	1.00	
0054	HA02939	wire	6P-6P 150mm UL1007 20AWG white	1.00	
0055	HA03492	wire	170mm UL1015 16AWG blue	2.00	
0056	HA02734	wire	180mm UL1015 14AWG	1.00	
0057	HA01941	wire-RS	4P-4P 80mm UL1007 28AWG	2.00	
0058	HA01967	wire-RS	3P-3P 90mm UL1007 28AWG	1.00	
0059	HA02657	wire	8P-8P 360mm UL1007 20AWG	1.00	
0060	HA01554	wire-RS	5P-5P 120mm UL1007 26AWG	1.00	
0061	NI04042	knob	24*11.5*11_V 1.0	1.00	
0062	NI04855	key-RS	5.5*5*14.5_V1.0	8.00	
0063	NI04721	slide key-RS-CT	24*11.5*11_V1.0	2.00	
0064	NI04720	slide key-RS-CT	24*11.5*11_V1.0	2.00	
0065	NI04714	key-RS	φ7*7.5 3 white_V1.0	13.00	

Rank	Part No.	Description	Specification	QTY	remark
0066	NI04713	knob-RS	φ5*7.5 8C_V1.0	68.00	
0067	NI04705	knob-RS	φ10.6*17.6_V1.0	38.00	
0068	NI04707	knob-RS	φ10.6*17.6_V1.0	12.00	
0069	NI04706	knob-RS	φ10.6*17.6_V1.0	48.00	
0070	NI04712	knob-RS	φ14.6*17.55_V1.0	2.00	
0071	NI04708	knob-RS	φ10.6*17.6_V1.0	7.00	
0072	NI02659	knob	φ10*17mm	12.00	
0073	NI02309	knob-RS-C	24*11.5*11_V1.2	12.00	
0074	HK08596	PC board	P-M16 MASTER-DIP	1.00	
0001	RC00360	potentiometer	B50KΩ RD12L12CA23A-50K3BT*2(SAS1);30F-C	8.00	P75,P76,P84,P85,P93,P94,P102,P103
0002	RC00362	slide potentiometer	W100KΩ RA2044-20-15EB1-W100K-C	7.00	P122,P123,P124,P125,P126,P127,P128
0003	SE00017	SMD zener diode-RS	1/2W 5.6V(RLZ5.6B) LL-34	16.00	D1,D2,D3,D4,D5,D6,D7,D8,D9,D10,D11,D12,D13,D14,D15,D16
0004	SE00011	SMD rectifier diode	RLS4148 0.5A (LL-34)	12.00	D17,D46,D47,D54,D75,D76,D77,D78,D79,D80,D81,D82
0005	SB00175	transistor-RS-ACT	2SA970-BL(TE2;T)(SC43)/(TOSHIBA)	8.00	TR1,TR2,TR3,TR4,TR5,TR6,TR7,TR8
0006	SA00054	L.E.D	3m/m round(yellow)long foot 26	5.00	D44,D49,D50,D52,D53
0007	SA00052	L.E.D	φ3 round(green)long foot 26	20.00	D37,D55,D56,D57,D58,D59,D60,D61,D62,D63,D64,D66,D67,D68,D69,D70,D71,D72,D73,D74
0008	SA00053	L.E.D	φ3 round(red)long foot 26mm	14.00	D25,D26,D28,D31,D32,D34,D35,D29,D40,D41,D45,D48,D51,D65
0009	RC00166	resistor	5KΩ φ6 EVNDBA	4.00	R676,R694,R723,R758
0010	NI01782	LED spacer support	LEDS-11 11mm	39.00	D29,D55,D56,D57,D58,D59,D60,D61,D62,D63,D64,D66,D67,D68,D69,D70,D71,D72,D73,D74,D25,D26,D28,D31,D32,D34,D35,D37,D40,D41,D45,D48,D51,D65,D44,D49,D50,D52,D53
0011	MG00041	screw	M3*6	6.00	
0012	MF00037	washer	φ3.2*φ5.5*1t	3.00	
0013	MG00242	copper pillar	M3*8*0.5PH	3.00	
0014	HI00195	rotary switch	SDB161PVB15.5F-1-4-16-16PC	2.00	SW83,SW84
0015	HI00008	relay	RY-12W-K 12V	1.00	RLY1
0016	HC00573	connector(male)	6P 2.5mm 180°(A2506WV-6P)	1.00	CN8
0017	HC00571	connector(male)	2P 2.5mm 180°(A2506WV-2P)	1.00	CN10
0018	HI00157	push-button switch	PS-22E85NL(NON-LOCK)(2*3)	2.00	SW70,SW71
0019	HC00403	RCA jack	SCP6873NS323T2 4P	1.00	CN2
0020	HC00077	connector(male)	3P 2.5mm 180°	1.00	CN13
0021	HC00076	connector(male)	2P 2.5mm 180°	1.00	CN12
0022	HC00082	connector(male)	8P 2.5mm 180°	1.00	CN1
0023	HC00126	balance MIC jack-RS	JY-5042-030G female plug 180°	4.00	S26,S28,S33,S36
0024	HC00125	MIC jack-RS	JY-6351G-02-250	26.00	S37,S38,S39,S40,S41,S42,S43,S44,S45,S46,S48,S49,S52,S54,S25,S27,S29,S30,S31,S32,S34,S35,S47,S50,S51,S53
0025	HC00255	connector(male)	4P 2.0mm 180°	2.00	CN3,CN4
0026	HC00254	connector(male)	3P 2.0mm 180°	1.00	CN6
0027	HC00065	connector(male)	2P 2.5mm 90°	1.00	CN11
0028	HC00079	connector(male)	5P 2.5mm 180°	1.00	CN9
0029	HC00080	connector(male)	6P 2.5mm 180°	1.00	CN7
0030	CB00141	electrolytic capacitor	2.2uF/63V φ5*11mm	12.00	C241,C290,C339,C388,C526,C537,C564,C583,C616,C629,C678,C679
0031	HA01488	wire-RS	2P 140mm UL1007 24AWG	1.00	
0032	CB00069	electrolytic capacitor	1000uF/6.3V φ8*11mm	1.00	C468
0033	CB00065	electrolytic capacitor	470uF/25V φ10*16mm	2.00	C734,C576
0034	CB00062	electrolytic capacitor	220uF/6.3V φ6*7mm	4.00	C13,C14,C15,C16
0035	CB00051	electrolytic capacitor	100uF/63V φ10*12mm	1.00	C573
0036	AC00179	tin without lead-RS	M705E Sn 3Ag-0.5Cu	58.58	

Rank	Part No.	Description	Specification	QTY	remark
0037	RC00702	potentiometer-RS	J/Q10KΩ XV012313YGPV30F-20CA10K CC	4.00	P78,P87,P96,P105
0038	RC00707	potentiometer-RS	B10KΩ RD12L1230232-10K2B*2(SAS);30F	4.00	P9,P10,P11,P12
0039	RC00706	potentiometer-RS	B10KΩ RD12L123A233-10K2B*2(SAS);30F-C	8.00	P73,P74,P82,P83,P91,P92,P100,P101
0040	HC01006	connector-RS	2.54mm 180° 2*11P B-25-2*11BG(B)H5	1.00	JP1
0041	RC00447	potentiometer	A50KΩ RD09F1130049-50K15A(SAS1);30F	12.00	P79,P80,P81,P88,P89,P90,P97,P98,P99,P106,P107,P108
0042	HI00402	push-button switch-RS	6P KFC-D85-F(2*3)(SELF-LOCK)	19.00	SW50,SW51,SW52,SW55,SW56,SW57,SW60,SW61,SW62,SW65,SW66,SW67,SW69,SW72,SW74,SW75,SW76,SW77,SW82
0043	HI00401	push-button switch-RS	12P KFC-D130-C(2*3)(SELF-LOCK)	12.00	SW49,SW53,SW54,SW58,SW59,SW63,SW64,SW68,SW73,SW78,SW80,SW81
0044	HK08597	PC board	P-M16 MASTER-SMD	1.00	
0001	SF00052	transistor	MMBFJ176(SOT23)/(FAIRCHILD)	2.00	TR31,TR32
0002	RD00325	SMD precise resistor 1/10W	5.23KΩ ±1% 0603	8.00	R322,R344,R382,R404,R444,R464,R504,R524
0003	RD00298	SMD precise resistor 1/10W	47.0Ω ±1% 0603	8.00	R660,R674,R692,R703,R721,R737,R756,R767
0004	RD00201	SMD precise resistor 1/10W	1.50KΩ ±1% 0603	12.00	R17,R18,R19,R20,R21,R22,R23,R24,R662,R695,R724,R759
0005	RD00300	SMD precise resistor 1/10W	6.04KΩ ±1% 0603	8.00	R327,R349,R387,R409,R449,R469,R509,R529
0006	RD00066	SMD fixed resistor 1/10W	68Ω ±5% 0603	6.00	R132,R133,R134,R580,R593,R596
0007	RD00068	SMD fixed resistor 1/10W	100Ω ±5% 0603	5.00	R137,R138,R734,R751,R846
0008	RD00076	SMD fixed resistor 1/10W	330Ω ±5% 0603	2.00	R874,R880
0009	SF00053	transistor	MMBT3906(SOT23)/(PHI)	2.00	TR34,TR35
0010	SF00055	transistor	MMBT3904LT1(SOT23)/(ON)	30.00	TR9,TR17,TR18,TR19,TR20,TR21,TR22,TR23,TR24,TR25,TR26,TR27,TR28,TR29,TR30,TR33,TR36,TR37,TR38,TR39,TR40,TR41,TR42,TR43,TR44,TR45,TR46,TR47,TR48,TR49
0011	SE00007	SMD rectifier diode	RB400D(D3A)	2.00	D38,D39
0012	SE00010	SMD rectifier diode	BAS16(SOT-23)	8.00	D27,D30,D33,D36,D83,D84,D85,D86
0013	SG00122	SMD integrated circuit-RS-ACT	NJM4580M-TE3(SOP8)/(JRC)	67.00	IC1,IC2,IC3,IC4,IC5,IC6,IC7,IC8,IC9,IC10,IC11,IC12,IC25,IC26,IC27,IC28,IC29,IC30,IC31,IC32,IC33,IC34,IC35,IC36,IC37,IC38,IC39,IC40,IC41,IC42,IC43,IC44,IC45,IC46,IC47,IC48,IC49,IC50,IC51,IC52,IC53,IC54,IC55,IC56,IC57,IC58,IC59,IC62,IC63,IC64,IC69,IC70,IC71,IC72,IC73,IC74,IC75,IC76,IC77,IC78,IC79,IC86,IC87,IC88,IC89,IC90,IC91
0014	RE00011	SMD resistor networks 1/16W	680Ω*4 ±5% 8P 0603	2.00	R581,R582

Rank	Part No.	Description	Specification	QTY	remark
0015	RD00343	SMD precise resistor 1/10W	75.0Ω ±1% 0603	1.00	R871
0016	RD00445	SMD precise resistor 1/10W	2.43KΩ ±1% 0603	4.00	R675,R704,R738,R768
0017	RD00457	SMD precise resistor 1/10W	150KΩ ±1% 0603	17.00	R856,R891,R897,R898, R903,R904,R909,R914, R918,R924,R929,R930, R935,R936,R941,R942, R946
0018	RD00461	SMD precise resistor 1/10W	220KΩ ±1% 0603	2.00	R556,R851
0019	RD00332	SMD precise resistor 1/10W	680Ω ±1% 0603	1.00	R861
0020	RD00214	SMD precise resistor 1/10W	10.0KΩ ±1% 0603	153.00	R145,R326,R328,R329, R333,R334,R348,R350, R351,R354,R355,R356, R357,R358,R359,R360, R364,R386,R388,R389, R393,R394,R408,R410, R411,R414,R415,R416, R417,R418,R419,R420, R424,R433,R448,R450, R451,R454,R468,R470, R471,R474,R475,R476, R477,R478,R479,R480, R484,R493,R508,R510, R511,R514,R528,R530, R531,R534,R535,R536, R537,R538,R539,R540, R544,R561,R562,R583, R584,R613,R614,R616, R620,R622,R623,R625, R626,R631,R633,R634, R635,R636,R638,R643, R644,R652,R655,R664, R679,R680,R685,R706, R707,R713,R740,R741, R748,R785,R788,R789, R790,R798,R799,R805, R806,R809,R811,R812, R814,R815,R816,R817, R819,R823,R828,R838, R845,R853,R854,R873, R881,R63,R64,R66,R67, R69,R72,R75,R76,R89, R90,R91,R92,R93,R94, R95,R96,R97,R98,R99, R100,R101,R104,R105, R106,R107,R108,R109, R110,R111,R112,R113, R114
0021	RD00059	SMD fixed resistor 1/10W	0.0Ω ±5% 0603	1.00	R895
0022	RD00350	SMD fixed resistor 1/10W	1.1KΩ ±5% 0603	8.00	R53,R54,R55,R56,R57, R58,R59,R60
0023	RD00213	SMD precise resistor 1/10W	7.50KΩ ±1% 0603	17.00	R658,R659,R672,R673, R689,R690,R691,R702, R718,R719,R720,R736, R753,R754,R755,R766, R607
0024	RD00069	SMD fixed resistor 1/10W	120Ω ±5% 0603	6.00	R135,R136,R732,R733, R776,R784
0025	RD00207	SMD precise resistor 1/10W	3.92KΩ ±1% 0603	16.00	R319,R323,R341,R345, R379,R383,R401,R405, R441,R445,R461,R465, R501,R505,R521,R525
0026	RD00247	SMD precise resistor 1/4W	2.20KΩ ±1% 1206	4.00	R352,R412,R472,R532

Rank	Part No.	Description	Specification	QTY	remark
0027	RD00510	SMD precise resistor 1/10W	6.20KΩ ±1% 0603	18.00	R661,R693,R722,R757, R899,R900,R905,R906, R910,R911,R915,R920, R921,R931,R937,R943, R944,R947
0028	RD00248	SMD precise resistor 1/4W	3.30KΩ ±1% 1206	6.00	R726,R742,R305,R365, R425,R485
0029	RD00083	SMD fixed resistor 1/10W	1.0KΩ ±5% 0603	12.00	R617,R627,R639,R640, R665,R682,R710,R745, R827,R837,R877,R886
0030	RD00277	SMD precise resistor 1/10W	200Ω ±1% 0603	4.00	R902,R907,R933,R938
0031	RD00103	SMD fixed resistor 1/10W	15KΩ ±5% 0603	16.00	R567,R587,R621,R632, R645,R646,R653,R681, R708,R743,R807,R818, R829,R841,R850,R852
0032	RD00095	SMD fixed resistor 1/10W	5.6KΩ ±5% 0603	7.00	R801,R802,R848,R33, R34,R35,R36
0033	RD00276	SMD precise resistor 1/10W	169Ω ±1% 0603	2.00	R912,R934
0034	RD00097	SMD fixed resistor 1/10W	6.8KΩ ±5% 0603	19.00	R148,R149,R316,R317, R339,R376,R377,R399, R438,R439,R459,R498, R499,R519,R602,R654, R683,R711,R746
0035	RD00101	SMD fixed resistor 1/10W	10KΩ ±5% 0603	32.00	R61,R62,R65,R68,R70, R71,R73,R74,R150,R159 , R161,R163,R165,R167, R169,R171,R173,R547, R568,R569,R570,R577, R578,R588,R603,R668, R669,R775,R825,R836, R973,R972
0036	RD00393	SMD precise resistor 1/10W	330Ω ±1% 0603	3.00	R862,R896,R928
0037	RD00272	SMD precise resistor 1/10W	10.0Ω ±1% 0603	8.00	R9,R10,R11,R12,R13, R14,R15,R16
0038	RD00091	SMD fixed resistor 1/10W	3.3KΩ ±5% 0603	2.00	R153,R157
0039	RD00093	SMD fixed resistor 1/10W	4.7KΩ ±5% 0603	63.00	R151,R155,R306,R307, R309,R312,R313,R314, R315,R330,R331,R337, R338,R366,R367,R369, R372,R373,R374,R375, R390,R391,R397,R398, R426,R427,R429,R432, R434,R435,R436,R437, R452,R457,R458,R486, R487,R489,R492,R494, R495,R496,R497,R512, R517,R518,R553,R559, R560,R605,R610,R615, R624,R637,R648,R813, R824,R826,R835,R890, R892,R919,R923
0040	RD00111	SMD fixed resistor 1/10W	47KΩ ±5% 0603	59.00	R85,R86,R87,R88,R152, R156,R310,R311,R332, R353,R370,R371,R392, R413,R430,R431,R453, R473,R490,R491,R513, R533,R545,R546,R554, R555,R557,R558,R564, R565,R566,R573,R579, R586,R591,R592,R595, R604,R667,R686,R709, R714,R744,R749,R800, R810,R820,R821,R831, R839,R840,R857,R883, R887,R888,R889,R893, R922,R925

Rank	Part No.	Description	Specification	QTY	remark
0041	RD00117	SMD fixed resistor 1/10W	120KΩ ±5% 0603	1.00	R590
0042	RD00105	SMD fixed resistor 1/10W	22KΩ ±5% 0603	70.00	R45,R46,R47,R48,R49, R50,R51,R52,R124,R125 , R126,R127,R128,R129, R130,R131,R141,R142, R146,R147,R320,R321, R324,R325,R342,R343, R346,R347,R380,R381, R384,R385,R402,R403, R406,R407,R442,R443, R446,R447,R462,R463, R466,R467,R502,R503, R506,R507,R522,R523, R526,R527,R548,R549, R550,R551,R552,R563, R585,R589,R769,R770, R772,R773,R777,R778, R803,R804,R822,R834
0043	RD00086	SMD fixed resistor 1/10W	1.8KΩ ±5% 0603	2.00	R574,R575
0044	RD00088	SMD fixed resistor 1/10W	2.2KΩ ±5% 0603	6.00	R618,R628,R629,R641, R786,R787
0045	RD00114	SMD fixed resistor 1/10W	68KΩ ±5% 0603	8.00	R37,R38,R39,R40,R41, R42,R43,R44
0046	RD00415	SMD precise resistor 1/10W	4.70KΩ ±1% 0603	16.00	R656,R657,R670,R671, R687,R688,R700,R701, R715,R716,R717,R735, R750,R752,R764,R765
0047	RD00131	SMD fixed resistor 1/4W	22Ω ±5% 1206	4.00	R796,R797,R843,R844
0048	RD00424	SMD fixed resistor 1/10W	180KΩ ±5% 0603	2.00	R858,R859
0049	RD00123	SMD fixed resistor 1/10W	470KΩ ±5% 0603	1.00	R606
0050	RD00102	SMD fixed resistor 1/10W	12KΩ ±5% 0603	11.00	R160,R162,R164,R166, R168,R170,R172,R174, R771,R779,R847
0051	RD00104	SMD fixed resistor 1/10W	18KΩ ±5% 0603	2.00	R571,R572
0052	RD00130	SMD fixed resistor 1/4W	10Ω ±5% 1206	14.00	R422,R423,R482,R483, R542,R543,R611,R612, R650,R651,R762,R763, R832,R833
0053	RD00126	SMD fixed resistor 1/10W	2.2MΩ ±5% 0603	1.00	R609
0054	RD00116	SMD fixed resistor 1/10W	100KΩ ±5% 0603	39.00	R143,R144,R154,R158, R308,R335,R336,R368, R395,R396,R428,R455, R456,R488,R515,R516, R576,R594,R619,R630, R642,R649,R663,R666, R678,R684,R705,R712, R739,R747,R774,R782, R783,R849,R855,R872, R875,R884,R885
0055	RD00200	SMD precise resistor 1/10W	150Ω ±1% 0603	2.00	R867,R869
0056	CI00099	SMD ceramic capacitor 0805	0.068uF/50V X7R ±10%	2.00	C697,C718
0057	CI00098	SMD ceramic capacitor 0805	0.033uF/50V X7R ±10%	2.00	C701,C720
0058	CI00026	SMD ceramic capacitor 0805	0.0033uF/50V X7R ±10%	2.00	C705,C723
0059	CI00022	SMD ceramic capacitor 0805	0.001uF/50V X7R	2.00	C707,C725
0060	CI00025	SMD ceramic capacitor 0805	0.0027uF/50V X7R ±10%	2.00	C709,C727
0061	CI00133	SMD ceramic capacitor 0805	0.047uF/-50V X7R ±10 %	2.00	C699,C719

Rank	Part No.	Description	Specification	QTY	remark
0062	CI00151	SMD ceramic capacitor 0805	0.015uF/50V X7R ±10%	12.00	C524,C532,C544,C545, C571,C572,C590,C591, C703,C704,C721,C722
0063	CI00146	SMD ceramic capacitor 0805	0.22uF/50V X7R ±10%	2.00	C698,C712
0064	CI00168	SMD ceramic capacitor 0805	0.0047uF/50V NPO ±5%	2.00	C708,C726
0065	CI00062	SMD ceramic capacitor 0603	330PF/50V NPO ±5 %	6.00	C1,C2,C3,C4,C694,C710
0066	CI00063	SMD ceramic capacitor 0603	470PF/50V NPO ±5 %	8.00	C105,C106,C107,C108, C109,C110,C111,C112
0067	CI00059	SMD ceramic capacitor 0603	100PF/50V NPO ±5%	3.00	C137,C138,C442
0068	CI00061	SMD ceramic capacitor 0603	220PF/50V NPO ±5%	16.00	C522,C528,C529,C530, C540,C541,C542,C558, C567,C568,C569,C577,C 586,C587,C588,C604
0069	CI00064	SMD ceramic capacitor 0603	680PF/50V NPO ±5 %	1.00	C142
0070	CI00075	SMD ceramic capacitor 0603	0.1uF/50V Y5V +80,-20%	157.00	C113,C114,C115,C116, C117,C118,C119,C120, C121,C122,C123,C124, C125,C126,C127,C128, C129,C130,C131,C132, C133,C134,C135,C136, C143,C152,C153,C154, C155,C156,C157,C158, C159,C278,C279,C280, C281,C282,C283,C284, C285,C286,C287,C327, C328,C329,C330,C331, C332,C333,C334,C335, C336,C376,C377,C378, C379,C380,C381,C382, C383,C384,C385,C425, C426,C427,C428,C429, C430,C431,C432,C433, C434,C445,C470,C471, C472,C473,C474,C475, C476,C477,C478,C479, C480,C481,C482,C483, C484,C485,C508,C509, C510,C511,C512,C513, C514,C515,C546,C547, C548,C549,C550,C551, C552,C553,C554,C555, C592,C593,C594,C595, C596,C597,C598,C599, C600,C601,C619,C620, C621,C622,C625,C626, C627,C628,C652,C653, C654,C655,C656,C657, C665,C666,C667,C668, C669,C670,C671,C672, C675,C676,C677,C682, C683,C684,C685,C686, C687,C688,C689,C690,
0071	CI00230	SMD ceramic capacitor 0603	0.0015uF/50VC0G± 5%(C1608C0G1H152JT)/TDK	3.00	C141,C446,C447
0072	RD00543	SMD precise resistance 1/10W	470Ω±1% 0603	2.00	R901,R932
0073	RD00541	SMD precise resistance 1/10W	0Ω±1% 0603	3.00	R917,R927,R951
0074	RD00542	SMD precise resistance 1/10W	220Ω±1% 0603	13.00	R598,R599,R600,R601, R864,R868,R870,R876, R879,R913,R916,R940, R945
0075	CI00235	SMD cermic capacitor- RS 0805	0.0068uF/50V X7R ±10%	2.00	C706,C724

Rank	Part No.	Description	Specification	QTY	remark
0076	CI00268	SMD ceramic capacitor- RS 0603	47PF/50V NPO ±5 %	98.00	C20,C24,C25,C26,C30, C31,C35,C36,C37,C38, C39,C40,C41,C42,C43, C44,C45,C46,C47,C48, C49,C50,C51,C52,C53, C54,C55,C56,C57,C58, C59,C60,C61,C62,C63, C64,C65,C66,C67,C68, C69,C70,C71,C72,C73, C74,C75,C76,C139,C140 , C144,C145,C146,C147, C148,C149,C150,C151, C437,C439,C450,C451, C453,C454,C458,C459, C462,C464,C488,C489, C493,C494,C495,C500, C501,C507,C519,C520, C521,C534,C535,C538, C561,C562,C565,C580, C581,C584,C617,C618, C634,C635,C640,C641, C642,C643,C648,C661
0077	CI00266	SMD ceramic capacitor- RS 0603	22PF/50V NPO ±5 %	58.00	C17,C18,C19,C21,C22, C23,C27,C28,C29,C32, C33,C34,C244,C247, C248,C251,C256,C260, C271,C276,C293,C296, C297,C300,C305,C309, C320,C325,C342,C345, C346,C349,C350,C357, C361,C374,C391,C394, C395,C398,C399,C406, C410,C423,C440,C441, C491,C497,C498,C504, C609,C614,C632,C633, C637,C638,C650,C663
0078	CI00276	SMD ceramic capacitor- RS	0.47uF/50V X7R ±10%	2.00	C696,C711
0079	CI00286	SMD ceramic capacitor- RS 0805	0.33uF/50V Y5V ±20%	2.00	C700,C713
0080	HK08598	PC board	P-M16 MASTER-AI	1.00	
0001	RA01262	precise resistor 1/4W	6.81KΩ ±1%	8.00	R1,R2,R3,R4,R5,R6,R7,R 8
0002	RA01114	fixed resistor 1/4W	2.2KΩ	1.00	R808
0003	RA01117	fixed resistor 1/4W	22Ω	2.00	R948,R949
0004	RA01258	fixed resistor 1/4W	10Ω	4.00	R362,R363,R697,R698
0005	RA00020	metal-oxide-film resistor 1W	6.8KΩ	1.00	R865
0006	CB00260	electrolytic capacitor	47uF/35V φ5*11mm 2.5mm	54.00	C242,C243,C258,C259, C288,C289,C291,C292, C307,C308,C337,C338, C340,C341,C359,C360, C386,C387,C389,C390, C408,C409,C435,C436, C443,C444,C486,C487, C516,C517,C556,C557, C602,C603,C623,C624, C630,C631,C639,C646, C647,C649,C658,C659, C660,C662,C673,C674, C693,C695,C716,C717, C732,C733
0007	CC00059	mylar capacitor	0.033uF/100V 3%	16.00	C253,C254,C273,C274, C302,C303,C322,C323, C353,C354,C372,C373, C402,C403,C421,C422
0008	CB00189	electrolytic capacitor	1.0uF/50V φ4*5mm	8.00	C263,C265,C312,C314, C364,C366,C413,C415

Rank	Part No.	Description	Specification	QTY	remark
0009	CB00235	electrolytic capacitor	100uF/25V ϕ 6*11mm	99.00	C77,C78,C79,C80,C81,C82,C83,C84,C85,C86,C87,C88,C89,C90,C91,C92,C93,C94,C95,C96,C97,C98,C99,C100,C101,C102,C103,C104,C257,C261,C262,C264,C266,C277,C306,C310,C311,C313,C315,C326,C358,C362,C363,C365,C367,C375,C407,C411,C412,C414,C416,C424,C438,C448,C449,C452,C455,C456,C460,C461,C463,C465,C467,C469,C490,C492,C496,C499,C502,C503,C505,C506,C518,C525,C527,C533,C536,C539,C560,C563,C566,C579,C582,C585,C607,C610,C612,C615,C636,C644,C645,C651,C664,C692,C715,C735,C736,C737,C738
0010	CB00234	electrolytic capacitor	10uF/50V ϕ 6*7mm	4.00	C457,C466,C606,C611
0011	CB00236	electrolytic capacitor	220uF/35V ϕ 10*12mm	10.00	C523,C531,C543,C559,C570,C574,C575,C578,C589,C605
0012	CB00245	electrolytic capacitor	4.7uF/50V SLL ϕ 5*11mm	2.00	C680,C681
0013	CC00066	mylar capacitor	0.022uF/100V 5%	8.00	C250,C270,C299,C319,C348,C371,C397,C420
0014	CC00077	mylar capacitor	0.0047uF/100V 3%	16.00	C252,C255,C272,C275,C301,C304,C321,C324,C351,C352,C355,C356,C400,C401,C404,C405
0015	CC00078	mylar capacitor	0.047uF/100V 3%	8.00	C245,C267,C294,C316,C343,C368,C392,C417
0016	CB00330	electrolytic capacitor-RS	47uF/63V ϕ 6*11mm	8.00	C5,C6,C7,C8,C9,C10,C11,C12
0017	CC00080	mylar capacitor-RS	0.0022uF/100V 5%	8.00	C246,C268,C295,C317,C344,C369,C393,C418
0018	RA01797	fixed resistor-RS 1/2W	47 Ω	4.00	R791,R792,R793,R794
0019	HB02450	PCB-RS	M16_MASTER_VER070810	1.00	
0020	RA01827	precise resistor-RS	7.5K Ω \pm 0.1%	8.00	R25,R26,R27,R28,R29,R30,R31,R32
0021	RA01828	precise resistor-RS	7.5K Ω \pm 0.1%	8.00	R77,R78,R79,R80,R81,R82,R83,R84
0081	RD00694	SMD precise resistor-RS	270.0 Ω \pm 1% 0603	1.00	R863
0082	RD00697	SMD precise resistor-RS	390.0 Ω \pm 1% 0603	2.00	R894,R926
0083	RD00696	SMD precise resistor-RS	33.0 Ω \pm 1% 0603	1.00	R878
0084	RD00693	SMD precise resistor-RS	130.0 Ω \pm 1% 0603	1.00	R608
0085	RD00698	SMD precise resistor-RS	5.36K Ω \pm 1% 0603	8.00	R318,R340,R378,R400,R440,R460,R500,R520
0086	RD00700	SMD precise resistor-RS	820.0 Ω \pm 1% 0603	1.00	R860
0087	RD00699	SMD precise resistor-RS	82.0 Ω \pm 1% 0603	2.00	R908,R939
0088	CI00309	SMD ceramic capacitor-RS	0.082uF/50V X7R \pm 10%	2.00	C702,C714
0089	RD00411	SMD precise resistor 1/4W	4.7K Ω \pm 1% 1206	1.00	R866
0090	SG00116	SMD integrated circuit	BA10339FV E2(SSOP-B14)/(ROHM)	6.00	IC80,IC81,IC82,IC83,IC84,IC85
0091	RD00592	SMD precise resistor-RS 1/10W	10.0K Ω \pm 0.1% 0603	8.00	R115,R116,R117,R118,R119,R122,R120,R123
0092	SG00502	SMD integrated circuit-RS	NE5532DR(SO8)/(TI)	4.00	IC60,IC61,IC65,IC66

Rank	Part No.	Description	Specification	QTY	remark
0045	RC00709	potentiometer-RS	A50KΩ RD12L123A033-50K15Ax2(SAS);30F CC	1.00	P120
0046	RC00711	potentiometer-RS	A10KΩ RD09F113A235-10K15A(SAS);30F CC	3.00	P109,P110,P111
0047	RC00710	potentiometer-RS	A10KΩ RD12L123A032-10K15Ax2(SAS);30F CC	3.00	P115,P116,P121
0048	RC00729	potentiometer-RS	Z10KΩ XVJ602GPV15C-913Z10K-0240	5.00	P77,P86,P95,P104,P112
0049	RC00728	potentiometer-RS	Z10KΩ XVJ602NPV15C-913Z10K-0241	4.00	P117,P118,P119,P129
0050	HK08988	PC board	P-RND4906(M.8)-DIP	1.00	
0001	SG00596	W-SMD integrated circuit-RS	SST39VF010-70n(PLCC32)/(SST) CS : 639A	1.00	IC3
0001	SG00601	SMD integrated circuit-RS-ACT	SST39VF010(PLCC32)/(SST)	1.00	
0002	HC00065	connector(male)	2P 2.5mm 90°	1.00	CN4
0003	HA01933	jump	2.5mm	1.00	J3
0004	AC00179	tin without lead-RS	M705E Sn 3Ag-0.5Cu	0.90	
0005	HC01007	connector-RS	2.54mm 180° 2*11P(gold-plated) 13.5/19	1.00	CN1
0006	HK08379	PC board	P-RND4906-SMD	1.00	
0001	HB02407	PCB-RS	RND4906_VER070320	1.00	
0002	CI00185	SMD ceramic capacitor 0603	0.1uF/50V X7R±10%(C1608X7R1H104KT)/TDK	22.00	C13,C20,C23,C24,C25,C28,C29,C3,C30,C31,C32,C34,C35,C39,C40,C41,C42,C
0003	CI00201	SMD ceramic capacitor 0603	0.01uF/50V ±10%(C1608X7R1H103KT)/TDK	1.00	C14
0004	CI00049	SMD ceramic capacitor 0603	15PF/50V C0G±5%(C1608C0G1H150JT)/TDK	2.00	C37,C38
0005	CI00220	SMD ceramic capacitor 0603	220PF/50V C0G ±5%(C1608C0G1H221JT)/TDK	2.00	C11,C17
0006	CI00068	SMD ceramic capacitor 0603	0.0027uF/25V X7R ±10 %	2.00	C1,C12
0007	CI00196	SMD ceramic capacitor-RS	4.7uF/16V Y5V +80;-20%	1.00	C15
0008	CJ00005	SMD AL electrolytic capacitor-RS	10uF/16V CASE4φ	10.00	C10,C16,C18,C2,C22,C26,C36,C45,C5,C9
0009	CJ00004	SMD AL electrolytic capacitor-RS	4.7uF/25V CASE4φ	1.00	C44
0010	CJ00002	SMD AL electrolytic capacitor-RS	1uF/50V CASE4φ	3.00	C19,C21,C33
0011	CJ00008	SMD AL electrolytic capacitor-RS	47uF/25V CASE6.3φ	1.00	C27
0012	SE00011	SMD rectifier diode	RLS4148 0.5A (LL-34)	1.00	D1
0013	SG00068	SMD integrated circuit	74HC14DT(SO14)/(PHI)	1.00	IC6
0014	SG00410	SMD integrated circuit	IC41LV16256-35KG(SOJ40)/(ICSI)	1.00	IC7
0015	SG00568	SMD integrated circuit-RS-ACT	A3P125-VQ100(SSOP24)/(ACTEL)	1.00	IC5
0016	HC00611	IC socket (SMD)	PLCC32 (AMP S/N:822516-7)	1.00	IC3
0017	CO00006	SMD chip inductance-RS-ACT	BLM21A102SPT/(MURATA)	1.00	L1
0018	RE00006	SMD resistor networks 1/16W	100Ω*4 ±5% 8P 0603	4.00	AR1,AR2,AR3,AR4
0019	RD00059	SMD fixed resistor 1/10W	0.0Ω ±5% 0603	1.00	R5
0020	RD00068	SMD fixed resistor 1/10W	100Ω ±5% 0603	7.00	R14,R15,R20,R21,R35,R38,R39
0021	RD00101	SMD fixed resistor 1/10W	10KΩ ±5% 0603	6.00	R1,R11,R12,R17,R2,R40
0022	RD00085	SMD fixed resistor 1/10W	1.5KΩ ±5% 0603	15.00	R10,R13,R16,R22,R28,R29,R27,R32,R33,R34,R6,R7,R8,R9,R30
0023	RD00111	SMD fixed resistor 1/10W	47KΩ ±5% 0603	1.00	R43
0024	RD00263	SMD fixed resistor 1/10W	200KΩ ±5% 0603	2.00	R41,R42
0025	RD00125	SMD fixed resistor 1/10W	1.0MΩ ±5% 0603	1.00	R36

Rank	Part No.	Description	Specification	QTY	remark
0026	RD00073	SMD fixed resistor 1/10W	220Ω ±5% 0603	1.00	R26
0027	RD00078	SMD fixed resistor 1/10W	470Ω ±5% 0603	2.00	R3,R4
0028	RD00459	SMD precise resistor 1/10W	4.7Ω ±1% 0603	1.00	R24
0029	SC00426	SMD crystal oscillator- RS	16MHz(XTAL-HCM49)	1.00	XT1
0030	SG00567	SMD integrated circuit- RS-ACT	CS4270 CZZ(TSSOP24)/(CRYSTAL)	1.00	IC4
0031	SG00570	SMD integrated circuit- RS	LP2985IM5-1.5(SOT23)/(NS)	1.00	IC2
0032	AE00449	solder material without lead	9308/Sn Ag Cu	1.60	
0033	RD00460	SMD precise resistor 1/10W	560Ω ±1% 0603	1.00	R44
0007	NE17701	lable-RS	M.8 CS:639A_V1.0	1.00	
0001	NI00016	membrane	0.05*1M	1.00	
0002	NH00221	paper	0.055*1M	1.00	
0051	RC00767	potentiometer-RS	A50KΩ XV09213YNPV30F- 15A50K CC/D	2.00	P113,P114
0052	CF00155	metal-film capacitor MSC	0.22uF/63V 5% CASE02	8.00	C249,C269,C298,C318, C347,C370,C396,C419
0053	SD00173	integrated circuit-RS- ACT	NJM4580L(SIP8)/(JRC)	2.00	IC67,IC68
0075	HK09172	PC board-RS	P-PSM-60Wc(M.1000)-DIP	1.00	
0001	SA00269	diode	1A/600V/75ns MUR160	1.00	D3
0002	SD00032	integrated circuit	LM317T(TO220)/(ST)	1.00	U3
0003	SA00179	diode	BYW29-200	2.00	D1,D2
0004	SB00064	transistor-RS-ACT	TIP41C(TO220)/(ST)	1.00	T2
0005	SA00130	diode-RS-ACT	1A/600V/35ns BYV26C	1.00	D7
0006	SA00125	zener diode	1/2W 15V 15B3	1.00	D4
0007	SA00004	high speed diode-RS	2A/100V BYV27-200,113	2.00	D8,D14
0008	NI02249	plastic washer	TW-1(TO-220)	5.00	
0009	NC00167	mica-RS	13*18(φ3.6)TO-220	4.00	
0010	MG00161	screw	M3*6	7.00	
0011	MG00163	screw	M3*8	5.00	
0012	MF00037	washer	φ3.2*φ5.5*1t	12.00	
0013	ME00015	color nut	3m/m	5.00	
0014	HC00076	connector(male)	2P 2.5mm 180°	2.00	X6,X9
0015	HC00063	FUSE holder	JEF-501 (5.2mm)	2.00	
0016	CG00067	X1/Y2 capacitor	2200PF ±20% X1-400V Y2- 250V 7mm	2.00	C19,C20
0017	CG00042	Y-type capacitor	0.01uF/400V	1.00	C4
0018	CN00149	inductance-RS-CT	WB0610-3.0T	1.00	L5
0019	CG00033	metal oxide varistors	B57237-S100-M	1.00	VR2
0020	HA00579	wire-RS	270mm white L5R5	1.00	
0021	HA00538	wire	270mm red L5R5	1.00	
0022	CH00028	laminated capacitor	470PF/100V X7R PH5mm	2.00	C1,C2
0023	CN00153	inductance-RS-ACT	3mH UT20-H125NP	1.00	L3
0024	CA00113	ceramic capacitor	470pF/1000V Y5P	1.00	C5
0025	AC00179	tin without lead-RS	M705E Sn 3Ag-0.5Cu	3.66	
0026	CB00337	electrolytic capacitor-RS	220uF/400V φ30*31mm	1.00	C11
0027	SB00227	Phototriode-RS	CNY17F- 2BNC(DIP6)/(FAIRCHILD)	1.00	IC1
0028	CG00082	X2 capacitor-RS-ACT	0.1uF/275V±20% R46-KI3100- JP M1M(ARC)	2.00	C16,C28
0029	CG00092	metal oxide varistors-RS	CNR-14D431K/(CNR)	1.00	VR1
0030	SB00253	transistor-RS	SPP07N60C3(TO220)/(INFINE ON)	1.00	T1
0031	TC00405	transformer-RS	WT-582_100/230V	1.00	TR1
0032	CG00093	Y1 capacitor-RS	4700PF/250VAC Y5V ±20% Y1	1.00	C3
0033	CN00235	inductance-RS	12uH(WL-333)	2.00	L1,L2
0034	RA01819	cement resistor-RS	270Ω SQM type	1.00	R1
0035	RA01818	cement resistor-RS	0.27Ω SQP type	1.00	R6
0036	HK08970	PC board	P-PSM-60Wc-SMD	1.00	
0001	RD00021	SMD fixed resistor 1/8W	1.8KΩ ±5% 0805	1.00	R11

Rank	Part No.	Description	Specification	QTY	remark
------	----------	-------------	---------------	-----	--------

0002	RD00006	SMD fixed resistor 1/8W	100Ω ±5% 0805	2.00	R21,R23
0003	SF00033	SMD transistor-RS-ACT	BC846B(SOT23)/(PHI)	4.00	T3,T4,T5,T6
0004	SE00021	SMD zener diode	1/2W 15V	1.00	D13
0005	SE00011	SMD rectifier diode	RLS4148 0.5A (LL-34)	4.00	D10,D12,D15,D18
0006	RD00455	SMD precise resistor 1/8W	15.0KΩ±1% 0805	1.00	R28
0007	RD00228	SMD precise resistor 1/8W	220Ω ±1% 0805	1.00	R13
0008	RD00230	SMD precise resistor 1/8W	470Ω ±1% 0805	1.00	R32
0009	RD00502	SMD precise resistor 1/8W	22.0KΩ ±1% 0805	1.00	R42
0010	RD00501	SMD precise resistor 1/8W	56.0Ω ±1% 0805	1.00	R24
0011	RD00235	SMD precise resistor 1/8W	4.70KΩ ±1% 0805	2.00	R17,R29
0012	RD00380	SMD precise resistor 1/8W	10.0KΩ ±1% 0805	1.00	R43
0013	RD00384	SMD precise resistor 1/8W	47.0KΩ ±1% 0805	6.00	R25,R30,R36,R39,R40,R41
0014	RD00376	SMD precise resistor 1/8W	150Ω ±1% 0805	2.00	R15,R16
0015	RD00378	SMD precise resistor 1/8W	1.00KΩ ±1% 0805	3.00	R14,R18,R38
0016	RD00403	SMD precise resistor 1/8W	100KΩ ±1% 0805	3.00	R10,R22,R35
0017	RD00373	SMD precise resistor 1/8W	47.0Ω ±1% 0805	1.00	R33
0018	RD00523	SMD fixed resistor 1/10W	22Ω ±5% 0805	1.00	R31
0019	RD00003	SMD fixed resistor 1/8W	10Ω ±5% 0805	1.00	R34
0020	CI00029	SMD ceramic capacitor 0805	0.1uF/50V Y5V	3.00	C33,C35,C39
0021	CI00022	SMD ceramic capacitor 0805	0.001uF/50V X7R	1.00	C31
0022	CI00018	SMD ceramic capacitor 0805	220PF/50V NPO ±5%	1.00	C37
0023	CI00133	SMD ceramic capacitor 0805	0.047uF/-50V X7R ±10 %	1.00	C38
0024	CI00016	SMD ceramic capacitor 0805	100PF/50V NPO	1.00	C32
0025	CI00269	SMD ceramic capacitor-RS 1206	1.0uF/25V X7R ±10%	1.00	C34
0026	RD00625	SMD precise resistor-RS 1/8W	3.32KΩ ±1% 0805	1.00	R19
0027	RD00622	SMD precise resistor-RS 1/8W	2.21KΩ ±1% 0805	1.00	R12
0028	RD00660	SMD precise resistor-RS	470.0KΩ ±1% 0805	1.00	R20
0029	RD00664	SMD precise resistor-RS	56.0KΩ ±1% 0805	1.00	R27
0030	SG00577	SMD integrated circuit-RS	NCP1200D60R2G(SOIC8)/(ON)	1.00	IC4
0031	SF00115	SMD transistor-RS	TL431CDBVR(SOT23)/(TI)	1.00	IC3
0032	SE00110	SMD zener diode-RS-ACT	1/2W 47V ZMM55C47 SOD80	1.00	D17
0033	SE00111	SMD zener diode-RS-ACT	1/2W 4.7V ZMM55C4V7 SOD80	1.00	D11
0034	SE00112	SMD zener diode-RS-ACT	1/2W 4.3V ZMM55C4V3 SOD80	1.00	D21
0035	HK08969	PC board	P-PSM-60Wc-AI	1.00	
0001	RA01387	fixed resistor 1/2W	22Ω	2.00	R4,R5
0002	RA01186	precise resistor 1/4W	536Ω ±1%	1.00	R45
0003	RA01204	precise resistor 1/4W	887Ω ±1%	1.00	R44
0004	RA01444	precise resistor 1/2W	470KΩ ±1%	1.00	R7
0005	CB00256	electrolytic capacitor	1000uF/25V φ10*20mm 5mm	2.00	C7,C8
0006	CB00260	electrolytic capacitor	47uF/35V φ5*11mm 2.5mm	2.00	C9,C10
0007	CF00146	metal-film capacitor	0.001uF/63V 5% CASE01	3.00	C22,C24,C40
0008	CF00154	metal-film capacitor MSC	0.0022uF/63V 5% CASE01	1.00	C6
Rank	Part No.	Description	Specification	QTY	remark

0009	CB00192	electrolytic capacitor	10uF/16V ϕ 4*7mm	1.00	C30
0010	CA00082	ceramic capacitor-RS	0.1UF/50V Y5V	8.00	C14,C15,C18,C25,C29,C42,C43,C44
0011	CB00151	electrolytic capacitor	220uF/63V ϕ 10*16mm	1.00	C23
0012	CB00251	electrolytic capacitor	220UF/25V ϕ 8*11mm	4.00	C12,C13,C27,C41
0013	CB00255	electrolytic capacitor	1000uF/10V ϕ 8*11mm 5mm	1.00	C26
0014	CB00253	electrolytic capacitor	1000uF/16V ϕ 10*16mm 5mm	1.00	C45
0015	CB00330	electrolytic capacitor-RS	47uF/63V ϕ 6*11mm	2.00	C17,C21
0016	RA01723	metal-oxide-film resistor-RS 1/2W	10 Ω \pm 5%	3.00	R8,R9,R37
0017	RA01721	metal-oxide-film resistor-RS 1/2W	100 Ω \pm 5%	2.00	R2,R3
0018	SA00353	zener diode-RS-ACT	1/2W 56V BZX55C	1.00	D6
0019	HB02535	PCB-RS	PSM-60 Wc VER070710	1.00	
0037	MI04399	heat-sink-RS	M.16 USB 104.4*130.6*35_V1.3	1.00	
0038	MI04400	separating shade-RS	M.16 USB 105*109*26_V1.1	1.00	
0039	NI05099	insulation piece-RS	M.16 USB 0.5t*108*104_V1.0	2.00	
0040	NI05100	insulation piece-RS	M.16 USB 0.5t*102*108.6_V1.1	1.00	
0041	NI02779	sleeve	ϕ 9*30mm	2.00	L1,L2
0042	SA00007	bridge rectifier	8A KBU-806 comb type	1.00	D5
0043	HC00082	connector(male)	8P 2.5mm 180°	1.00	X5
0044	HD00012	glass tube fuse	500mA 250V ϕ 5.2*20mm CSA/S/UL/VDE	1.00	
0045	NC02201	insulator-RS	0.3t*17*22mm	1.00	
0076	HK08505	PC board	P-GL1001/1-DIP	1.00	
0001	HC00568	connector(male)	2P 2.5mm 90°(A2506WR-2P)	1.00	CN1
0002	HC00570	connector(male)	6P 2.5mm 90°(A2506WR-6P)	1.00	CN3
0003	HC00754	USB socket	CU02SAH0000 90°	1.00	S2
0004	SC00003	crystal oscillator	12.000MHZ HC-49/US \pm 20PPM	1.00	XT1
0005	ME00015	color nut	3m/m	2.00	
0006	MF00037	washer	ϕ 3.2* ϕ 5.5*1t	2.00	
0007	MI02493	fixed bracket	UL TIMIX 16*16*9 Ltype_V1.1	2.00	
0008	MG00162	screw	M3*8	2.00	
0009	AC00179	tin without lead-RS	M705E Sn 3Ag-0.5Cu	2.74	
0010	HK08506	PC board	P-GL1001/1-SMD	1.00	
0001	CI00185	SMD ceramic capacitor 0603	0.1uF/50V X7R \pm 10%(C1608X7R1H104KT)/TDK	8.00	C12,C13,C14,C15,C23,C27,C30,C6
0002	CI00050	SMD ceramic capacitor 0603	18PF/50V C0G \pm 5%(C1608C0G1H180JT)/TDK	2.00	C18,C25
0003	CI00231	SMD ceramic capacitor 0603	0.0018uF/50VC0G \pm 5%(C1608C0G1H182JT)/TDK	4.00	C31,C33,C34,C35
0004	CI00222	SMD ceramic capacitor 0603	330PF/50V C0G \pm 5%(C1608C0G1H331JT)/TDK	4.00	C26,C28,C29,C32
0005	CI00053	SMD ceramic capacitor 0603	33PF/50V C0G \pm 5%(C1608C0G1H330JT)/TDK	2.00	C4,C5
0006	CI00206	SMD ceramic capacitor 0603	0.047uF/50V \pm 10%(C1608X7R1H473KT)/TDK	1.00	C1
0007	CJ00005	SMD AL electrolytic capacitor-RS	10uF/16V CASE4 ϕ	11.00	C3,C10,C11,C19,C20,C21,C22,C36,C37,C38,C39
0008	CJ00002	SMD AL electrolytic capacitor-RS	1uF/50V CASE4 ϕ	4.00	C16,C17,C24,C7
0009	SE00011	SMD rectifier diode	RLS4148 0.5A (LL-34)	4.00	D1,D2,D3,D4
0010	SG00489	SMD integrated circuit-RS	PCM2900E(SSOP28)/(TI)	1.00	IC2
0011	SG00569	SMD integrated circuit-RS	NJM2732E(EMP8)/(JRC)	2.00	IC3,IC4
0012	CO00006	SMD chip inductance-RS-ACT	BLM21A102SPT/(MURATA)	1.00	L1
0013	RD00059	SMD fixed resistor 1/10W	0.0 Ω \pm 5% 0603	2.00	R10,R2
0014	RD00274	SMD precise resistor 1/10W	100 Ω \pm 1% 0603	5.00	R1,R13,R16,R27,R28
0015	RD00102	SMD fixed resistor 1/10W	12K Ω \pm 5% 0603	8.00	R14,R17,R18,R20,R21,R22,R24,R25
0016	RD00201	SMD precise resistor 1/10W	1.50K Ω \pm 1% 0603	1.00	R6
0017	RD00292	SMD precise resistor 1/10W	1.00M Ω \pm 1% 0603	1.00	R12
0018	RD00544	SMD precise resistance 1/10W	22 Ω \pm 1% 0603	2.00	R5,R7
Rank	Part No.	Description	Specification	QTY	remark

0019	RD00092	SMD fixed resistor 1/10W	3.9K Ω \pm 5% 0603	4.00	R15,R19,R23,R26
0020	AE00449	solder material without lead	9308/Sn Ag Cu	0.42	
0021	HB02443	PCB-RS	GL1001/1_VER070515	1.00	
0077	HK07847	PC board	P-DIGIMOD1000(APM120)-DIP	1.00	
0001	SD00066	integrated circuit	L7812CV(TO220)/(ST)	1.00	U13/B
0002	NI00280	sleeve	ϕ 15*25mm	1.00	
0001	NI00278	sleeve	ϕ 15*1000mm	25.00	
0003	MG00161	screw	M3*6	2.00	
0004	HC00359	connector	2.54 180° 4P(gold-plated) 6/11.6mm	2.00	CN17,CN18
0005	HC00389	connector(male)	16P 2.54mm180°	1.00	CN13
0006	HC00082	connector(male)	8P 2.5mm 180°	1.00	CN16
0007	HC00276	connector(male)	3P 2.54mm 180°	2.00	CN4,CN10
0008	HC00034	short circuit connector	NO.2700 2.54mm/6mm OPEN	4.00	JR1,JR2,JR3,JR4
0009	CF00153	metal-film capacitor MSC	0.022uF/100V 5% CASE01	4.00	C14,C20,C99,C100
0010	CF00016	metal-film capacitor MSC	0.01uF/100V 5% CASE01	1.00	C10
0011	HA01919	jump	5mm	1.00	JP5
0001	HA02249	wire	ϕ 0.6 tinning	0.02	
0012	CB00038	electrolytic capacitor	47uF/16V ϕ 5*7mm	2.00	C84,C85
0013	CH00027	laminated capacitor	0.1uF/100V X7R PH5mm	4.00	C60,C59,C71,C72
0014	MB04575	chassis	DigiMod 3.0t*51*122*216(ME000155)_V1 .1	1.00	MEC1
0015	MK00115	spring-RS	1.0T*7.6*13*34.2(ML00004)_V 1.3	8.00	ML1,ML2,ML3,ML4,ML5, ML6,ML7,ML8
0016	MC00801	top cover-RS-ACT	DigiMod 1.0t*48*116*136.8(ME000156)_ V1.3	1.00	MEC2
0017	HC00859	terminal block-RS	2P 7EHDV-02P male	2.00	CN1,CN2
0018	HC00858	terminal block-RS	2P 2EHDV-02P male	2.00	CN3,CN7
0019	HC00857	terminal block-RS	4P 2EHDV-04P male	1.00	CN14
0020	HC00856	terminal block-RS	5P 2EHDV-05P male	2.00	CN11,CN12
0021	CB00322	electrolytic capacitor-RS	820uF/35V 105 WL ϕ 10*30mm(JAMICON)	3.00	C47,C49,C50
0022	HC00866	row-wire header(MICRO- EDGE)	72P 1.27mm 180° (AMP:5822021-4)	1.00	CN8
0023	NC00980	Silicone insulator-RS	1.0t*25mm*30mm	1.00	GAPAD1
0024	CN00180	common inductance-RS	1.90uH~2.30uH/T50- 2(TO000061)	2.00	L1,L2
0025	RA01614	chassis bracket 5W	4.7 Ω \pm 5% SQM type	2.00	R73,R79
0026	HC00879	connector(male)-RS	2*5P 3.0mm 180°(C3030WV-F- 2*5P)/	1.00	CN15
0027	SD00318	integrated circuit-RS-C	TC4423EPA(PDIP8)/(MICROCH IP)	5.00	U7,U8,U9,U10,U15
0028	SD00317	integrated circuit	NJM7912FA(TO220F)/(JRC)	1.00	U14/B
0029	SA00309	high speed diode-RS	BYW51FP-200(TO220AB)/(ST)	3.00	D11,D12,D13
0030	AC00179	tin without lead-RS	M705E Sn 3Ag-0.5Cu	23.94	
0031	MG00692	screw-RS	M3*12*0.5PH	11.00	VT3,VT4,VT7,VT8,VT13, VT14,VT15,VT16,VT20, VT24,VT28
0032	ME00226	screw-RS	M3*0.5PH	11.00	DD2,DD3,DD4,DD5,DD6, DD7,DD8,DD9,DD10, DD11,DD12
0033	MG00694	screw-RS	M2.9*9.5	6.00	VT2,VT6,VT11,VT18, VT22,VT26
0034	MG00693	screw-RS	M3*6*0.5PH	8.00	VT1,VT5,VT9,VT10, VT17,VT21,VT29,VT30
0035	SA00316	bridge rectifier-RS	8A GBU-8K/(PANJIT)	1.00	D1
0036	NE16112	label	K-SERIES_V1.0	1.00	
0037	NC01179	insulator spacer-RS	0.13t*40mm*55mm(HI-FLOW- 625)	3.00	SPAD1,SPAD2,SPAD3
0038	NI04389	plastic washer-RS	TW-20N	2.00	
0039	CF00226	metal-film capacitor-RS MKP	0.33uF/160V 5%(BFC237934334)	4.00	C63,C64,C65,C66
0040	SB00226	transistor-RS-CT	IRFP260NPBF(TO247)/(IR)	4.00	Q3,Q4,Q5,Q6
0041	CG00079	X1/Y2 capacitor-RS	0.0047uF/250V(S472M59Z5US6 3K7)	4.00	C8,C9,C7,C6
Rank	Part No.	Description	Specification	QTY	remark

0042	CG00078	X2 capacitor-RS MKT	1.0uF/275V ± 5%(BFC233620105)	1.00	C1
0043	CF00224	metal-film capacitor-RS MKP	0.1uF/630V 5%(BFC238320104)	2.00	C4,C5
0044	CF00222	metal-film capacitor-RS MKT	1.0uF/250V 5%(BFC237341105)	2.00	C67,C68
0045	SB00221	transistor-RS-CT	BD237(SOT32)/(ST)	1.00	Q7
0046	SB00222	transistor-RS-CT	HGTG12N60A4D(TO247)/(FAIRCHLD)	2.00	Q1,Q2
0047	RA01654	wirewound resistor 5W	0.1Ω± 5%/(AC05000001007JAC00)	4.00	R69,R70,R75,R76
0048	RH00032	thermistor-RS-NTC	10K±5%(NTCLE100E3103JB0)	2.00	R43,R44
0049	SB00227	Pohtotriode-RS	CNY17F-2BNC(DIP6)/(FAIRCHILD)	1.00	U16
0050	CN00200	common inductance-RS-CT	2.3mH/4A EV28-4.0-02-2M3/(SCHAFFNER)	2.00	T1,T2
0051	RA01659	metal-oxide-film resistor-RS 1/2W	240K ±5% VR37(VR37000002403JA100)	1.00	R1
0052	CG00081	Y-type capacitor-RS-ACT	K300(B72220301K101)/(EPCOS)	1.00	RV1
0053	HC00941	fuse drawer-RS-ACT	520101(5.2mm) PCB式 LITTLEFUSE	1.00	F1
0054	CG00082	X2 capacitor-RS-ACT	0.1uF/275V±20% R46-KI3100-JP M1M(ARC)	1.00	C137
0055	NE16636	lable-RS	POWERMOD 350/65 V1.0	1.00	
0056	RH00034	thermistor-RS-CT	2.5Ω B57237S259M/(EPCOS)	1.00	R10
0057	HK07157	PC board	P-DGM1000(PowerSoft)-SMD	1.00	
0001	SE00025	SMD diode	0.45A/85V BAV99	5.00	D18,D19,D20,D21,D26
0002	RD00255	SMD precise resistor 1/4W	100KΩ ±1% 1206	14.00	R14,R15,R16,R17,R18,R19,R51,R52,R53,R54,R84,R85,R88,R89
0003	RD00245	SMD precise resistor 1/4W	1.00KΩ ±1% 1206	7.00	R25,R28,R29,R49,R34,R50,R87
0004	RD00399	SMD precise resistor 1/4W	10.0KΩ ±1% 1206	4.00	R11,R47,R48,R57
0005	RD00140	SMD fixed resistor 1/4W	4.7KΩ ±5% 1206	1.00	R12
0006	CI00095	SMD ceramic capacitor 1206	0.1uF/50V X7R	4.00	C31,C33,C34,C39
0007	CI00103	SMD ceramic capacitor 1206	100PF/50V NPO ±5%	1.00	C136
0008	CI00042	SMD ceramic capacitor 1206	0.001uF/50V NPO	12.00	C73,C74,C75,C76,C80,C81,C82,C83,C92,C93,C94,C95
0009	CI00135	SMD ceramic capacitor 1206	33PF/50V NPO ±5%	1.00	C44
0010	CI00046	SMD ceramic capacitor 1206	1uF/16V Y5V-1206(3216)	23.00	C30,C37,C38,C41,C42,C45,C55,C56,C57,C58,C78,C79,C90,C91,C96,C97,C98,C129,C130,C131,C132,C133,C134
0011	CI00041	SMD ceramic capacitor 1206	470PF/50V NPO	1.00	C43
0012	HB01989	PCB-RS	DGMMAIN19_VER070507	1.00	CS1
0013	CI00263	SMD ceramic capacitor-RS 1206	0.0047uF/200V X7R ±10%	6.00	C12,C13,C15,C18,C19,C21
0014	RD00615	SMD precise resistor-RS 1/8W	1.50Ω± 5% 0805	3.00	R22,R23,R45
0015	RD00607	SMD precise resistor-RS 1/4W	330Ω± 1% 1206	12.00	R26,R27,R30,R31,R32,R33,R35,R36,R80,R81,R82,R83
0016	RD00605	SMD precise resistor-RS 1/4W	4.70Ω± 1% 1206	4.00	R58,R59,R60,R61
0017	RD00608	SMD precise resistor-RS 1/4W	33.0KΩ± 1% 1206	1.00	R13
0018	RD00606	SMD precise resistor-RS 1/4W	15.0Ω± 1% 1206	2.00	R20,R21
0019	RD00604	SMD precise resistor-RS 1/4W	47.0Ω± 1% 1206	1.00	R86
0020	SG00465	SMD integrated circuit-RS	M24C16WMN6TP(SO8)/(ST)	1.00	U12

Rank	Part No.	Description	Specification	QTY	remark
------	----------	-------------	---------------	-----	--------

0021	AE00449	solder material without lead	9308/Sn Ag Cu	0.46	
0022	SG00466	SMD integrated circuit-RS-ACT	HCPL-0611#060(SO8)/(AGILENT)	4.00	U3,U4,U5,U6
0023	SE00089	SMD zener diode-RS	1/2W 5.1V(MMSZ5231B)(SOD-123)/(PANJIT)	4.00	D14,D15,D16,D17
0024	SF00101	voltage stabilized transistor-RS	L4941BDT-TR-PB FREE(DPAK)/(ST)	1.00	U11
0025	SG00495	SMD integrated circuit-RS-CT	IR2156SPBF(SO14)/(IR)	1.00	U1
0026	SE00095	SMD diode-RS-CT	ES3D(DO214AB)/(VISHAY)	3.00	D8,D9,D10
0027	SE00097	SMD diode-RS-CT	1A/400V US1G(DO214AC)/(VISHAY)	7.00	D3,D4,D22,D23,D24,D25,D28
0028	CI00279	SMD ceramic capacitor-RS 1206	0.0022uF/200Vx7R±10%	1.00	
0029	SE00098	SMD zener diode-RS-C	1W 15V DL4744A MELF/(SJ)	2.00	D2,D27
0030	CO00138	SMD fixed inductance-RS-CT	4*0.47mH(B82792-C2474-N315/(EPCOS)	1.00	T10
0058	TC00330	transformer-RS	EE42/20(TO000068)	1.00	T3
0001	NI04468	creel stand-RS-ACT	FE0252(MILES PLATTS)	1.00	
0002	TC00386	transformer-RS	EE42/20(TO000068)	1.00	
0059	HK07198	PC board-RS	P-DGMFILT14(TO000062)	2.00	SM1,SM2
0001	HC00855	connector-RS	2.54 90° 2*2P (gold-plated) 6/14.4/19.5	2.00	J1,J2
0002	AC00179	tin without lead-RS	M705E Sn 3Ag-0.5Cu	0.25	
0003	NI00218	cable tie	ALT-102SB	1.00	
0004	CN00179	common inductance-RS	25.344uH±15%/T130-2(TO000062)	1.00	
0005	HB02094	PCB-RS	DGMFILT14_VER070606	1.00	
0060	NE16887	lable-RS	POWERMOD_V1.0	1.00	
0001	NI00015	membrane	0.04*1M	1.00	
0002	NH00013	bond paper	0.045*1M	1.00	
0061	HK07158	PC board	P-DGM500-1000/CNTRL17-DIP	1.00	
0001	SC00319	crystal oscillator	12.288MHZ	1.00	Y1
0002	HK07274	Photodiode	P-photosensitive resistance+φ 3lled	2.00	D5,D105
0001	RH00020	photosensitive resistance	VT90N1	1.00	
0002	SA00305	L.E.D-RS	φ3 circle red high intensity	1.00	
0003	NI02405	sleeve	φ5*15mm	1.00	
0001	NI00258	sleeve	φ5*1000mm	1.00	
0003	AC00179	tin without lead-RS	M705E Sn 3Ag-0.5Cu	1.36	
0004	HK07159	PC board	P-DGM500-1000/CNTRL17-SMD	1.00	
0001	SG00045	SMD integrated circuit	BU4081BF(SOT73)/(PHI)	1.00	U6/B
0002	SF00030	SMD transistor-RS-ACT	BC817(SOT23)/(PHI)	2.00	Q1,Q2/B
0003	RD00298	SMD precise resistor 1/10W	47.0Ω ±1% 0603	11.00	R17,R19,R22,R34,R41,R87,R117,R119,R134,R141,R187
0004	RD00201	SMD precise resistor 1/10W	1.50KΩ ±1% 0603	5.00	R6,R13,R65,R113,R165
0005	RD00292	SMD precise resistor 1/10W	1.00MΩ ±1% 0603	9.00	R10,R60,R98,R99,R100,R110,R200,R209,R210
0006	SG00001	SMD integrated circuit	TL074CDT(SO14)/(ST)	2.00	U3/B,U103/B
0007	SE00025	SMD diode	0.45A/85V BAV99	4.00	D6,D7,D106,D107
0008	SE00027	SMD diode	0.45A/85V BAW56	5.00	D1,D2,D3,D101,D102
0009	SE00026	SMD diode	0.45A/85V BAV70	7.00	D110,D111,D4,D111,D9,D10,D109
0010	RD00320	SMD precise resistor 1/4W	12.0KΩ ±1% 1206	4.00	R74/B,R85/B,R174/B,R185/B
0011	RD00322	SMD precise resistor 1/10W	2.70KΩ ±1% 0603	14.00	R7,R8,R16,R75,R79,R80,R83,R107,R108,R116,R175,R179,R180,R183
0012	RD00339	SMD precise resistor 1/10W	47.0KΩ ±1% 0603	8.00	R4,R31,R33,R43,R104,R131,R133,R143
0013	RD00342	SMD precise resistor 1/10W	1.50MΩ ±1% 0603	2.00	R38,R138
0014	RD00332	SMD precise resistor 1/10W	680Ω ±1% 0603	2.00	R68,R168

Rank	Part No.	Description	Specification	QTY	remark
------	----------	-------------	---------------	-----	--------

0015	RD00214	SMD precise resistor 1/10W	10.0KΩ ±1% 0603	45.00	R1,R5,R14,R24,R29,R30, R32,R39,R47,R48,R49, R50,R51,R52,R53,R54, R55,R56,R57,R69,R114, R129,R130,R132,R139, R147,R148,R149,R150, R151,R152,R153,R154, R155,R156,R157,R169, R201,R202,R219,R301, R302,R319,R1001,R1003
0016	RD00218	SMD precise resistor 1/10W	15.0KΩ ±1% 0603	6.00	R9,R12,R86,R109,R112, R186
0017	RD00224	SMD precise resistor 1/10W	100KΩ ±1% 0603	8.00	R35,R58,R59,R135,R158 , R159,R208,R308
0018	RD00506	SMD precise resistor 1/10W	3.30KΩ ±1% 0603	8.00	R23,R27,R36,R81,R82, R136,R181,R182
0019	RD00509	SMD fixed resistor 1/10W	24KΩ ±5% 0603	1.00	R25
0020	RD00399	SMD precise resistor 1/4W	10.0KΩ ±1% 1206	4.00	R215/B,R216/B,R315/B, R316/B
0021	RD00282	SMD precise resistor 1/10W	1.00KΩ ±1% 0603	20.00	R2,R21,R44,R61,R62, R63,R64,R66,R67,R92, R93,R95,R102,R144, R161,R162,R163,R164, R166,R167
0022	RD00390	SMD precise resistor 1/10W	10.0MΩ ±1% 0603	2.00	R96,R97
0023	RD00392	SMD precise resistor 1/10W	2.20KΩ ±1% 0603	7.00	R15,R26,R46,R78,R115, R146,R178
0024	RD00105	SMD fixed resistor 1/10W	22KΩ ±5% 0603	1.00	R94
0025	RD00129	SMD fixed resistor 1/4W	0.0Ω ±5% 1206	2.00	C34,C134
0026	RD00525	SMD precise resistor 1/10W	33.0KΩ ±1% 0603	2.00	R42,R142
0027	RD00301	SMD precise resistor 1/10W	12.1KΩ ±1% 0603	2.00	R11,R111
0028	CI00125	SMD ceramic capacitor 1210	10uF/16V Y5V-1210(3225)	5.00	C16,C31,C40,C116,C131
0029	CI00105	SMD ceramic capacitor 1206	0.0022uF/50V NPO ±5%	2.00	C30,C130
0030	CI00185	SMD ceramic capacitor 0603	0.1uF/50V X7R± 10%(C1608X7R1H104KT)/TDK	25.00	C6/B,C2,C4,C9,C11/B, C14,C17/B,C19/B,C20/B, C21/B,C24/B,C25/B,C27/ B,C39,C49,C102,C104, C106/B,C117/B,C119/B, C120/B,C121/B,C124/B, C125/B,C127/B
0031	CI00053	SMD ceramic capacitor 0603	33PF/50V C0G± 5%(C1608C0G1H330JT)/TDK	2.00	C10,C12
0032	CI00083	SMD ceramic capacitor 0603	3.9PF/50VC0G± 0.25PF(C1608C0G1H3R9CT)T DK	2.00	C23,C123
0033	CI00084	SMD ceramic capacitor 0603	4.7PF/50VC0G± 0.25PF(C1608C0G1H4R7CT)T DK	1.00	C52/B
0034	CI00201	SMD ceramic capacitor 0603	0.01uF/50V ± 10%(C1608X7R1H103KT)/TDK	4.00	C15,C41,C42,C43
0035	CI00224	SMD ceramic capacitor 0603	470PF/50V C0G ± 5%(C1608C0G1H471JT)/TDK	8.00	C22,C26,C36,C37,C122, C126,C136,C137
0036	CI00234	SMD ceramic capacitor 0603	0.0033uF/50VC0G± 5%(C1608C0G1H332JT)/TDK	1.00	C13
0037	CI00220	SMD ceramic capacitor 0603	220PF/50V C0G ± 5%(C1608C0G1H221JT)/TDK	3.00	C1,C33,C133
0038	CI00216	SMD ceramic capacitor 0603	82PF/50V C0G ± 5%(C1608C0G1H820JT)/TDK	4.00	C7,C8,C107,C108
0039	CI00228	SMD ceramic capacitor 0603	0.001uF/50V C0G± 5%(C1608C0G1H102JT)/TDK	4.00	C5,C28,C105,C128
0040	CI00222	SMD ceramic capacitor 0603	330PF/50V C0G ± 5%(C1608C0G1H331JT)/TDK	4.00	C3,C32,C103,C132
0041	SE00077	SMD L.E.D-RS	red KPTC-2012EC	2.00	D119,D19
0042	SE00078	SMD L.E.D-RS	green KPTC-2012SGC	3.00	D16,D17,D18
0043	HB01991	PCB-RS	DGMCNTRL17_VER060411	1.00	CS1

Rank	Part No.	Description	Specification	QTY	remark
------	----------	-------------	---------------	-----	--------

0044	RD00592	SMD precise resistor-RS 1/10W	10.0KΩ ±0.1% 0603	8.00	R72,R73,R88,R89,R172, R173,R188,R189
0045	RD00590	SMD precise resistor-RS 1/10W	1.50KΩ ±0.1% 0603	4.00	R76,R77,R176,R177
0046	RD00591	SMD precise resistor-RS 1/10W	82.0KΩ ±0.1% 0603	4.00	R70,R71,R170,R171
0047	AE00449	solder material without lead	9308/Sn Ag Cu	1.59	
0048	SE00090	SMD zener diode-RS	1/2W 6.8V(MMSZ5235B)(SOD-123)/(PANJIT)	4.00	D112,D114,D12,D14
0049	SG00496	SMD integrated circuit-RS	LF412CDR(SO8)/(TI)	2.00	U4/B,U104/B
0050	CO00137	SMD inductance-RS	1.0mH ±5%(NL453232T-102J)/(TDK)	2.00	L1,L101
0051	SG00502	SMD integrated circuit-RS	NE5532DR(SO8)/(TI)	4.00	U1/B,U2/B,U101/B,U102/B
0052	SG00504	SMD integrated circuit-RS-C	ATmega8-16AU(TQFP32)/(ATMEL)	1.00	U8/B
0053	SG00509	SMD integrated circuit-RS	HEF4069UBT(SO14)/(PHI)	2.00	U5/B,U105/B
0054	CI00278	SMD ceramic capacitor-RS 1206	0.0018uF/50V NPO ±5%	2.00	C29,C129
0055	RD00415	SMD precise resistor 1/10W	4.70KΩ ±1% 0603	6.00	R28,R45,R90,R128, R145,R1002
0005	NE16833	label-RS	DIGIMOD1000_V1.0	1.00	
0006	NE16889	label-RS	DIGIMOD1000_V1.0	1.00	
0007	NE16886	label-RS	DIGIMOD1000_V1.0	1.00	
0062	ME00016	color nut	4m/m	1.00	
0063	MF00038	washer	φ4*φ7*1t	1.00	
0064	MJ00344	solder plate	AMP	1.00	
0065	CB00378	electrolytic capacitor-RS	220uF/200V 105°C φ18*30mm (SAMXON)	6.00	C24,C25,C26,C27,C28,C29
0066	CB00379	electrolytic capacitor-RS	390uF/100V 105°C φ16*30mm (SAMXON)	4.00	C51,C52,C53,C54
0067	NE17899	label-RS	DIGIMOD1000(D1)_V1.0	1.00	
0078	HK08821	PC board-RS	P-M.1500INPUT_DIP	1.00	
0001	HC00082	connector(male)	8P 2.5mm 180°	1.00	CN1
0002	HC00077	connector(male)	3P 2.5mm 180°	3.00	J3,J1,J2
0003	HC00080	connector(male)	6P 2.5mm 180°	1.00	J4
0004	HC00108	stereo MIC jack	φ6.3 stereo LJB0661-6	2.00	S1,S2
0005	HK02231	Photodiode-RS	P-photosensitive resistance+φ 5LLED	2.00	U11,U10
0001	RH00020	photosensitive resistance	VT90N1	1.00	
0002	SA00201	L.E.D	φ5 red(LI3330/A)	1.00	
0003	NI02779	sleeve	φ9*30mm	1.00	
0001	NI00274	sleeve	φ9*1000mm	30.00	
0006	NI01776	LED spacer support	LED-3 3mm	2.00	
0007	SA00053	L.E.D	φ3 round(red)long foot 26mm	2.00	D28,D27
0008	AC00179	tin without lead-RS	M705E Sn 3Ag-0.5Cu	2.86	
0009	HK08823	PC board-RS	P-M.1500INPUT-SMD	1.00	
0001	RD00394	SMD precise resistor 1/10W	68.0Ω ±1% 0603	4.00	R10,R5,R7,R8
0002	RD00105	SMD fixed resistor 1/10W	22KΩ ±5% 0603	2.00	R25,R18
0003	RD00214	SMD precise resistor 1/10W	10.0KΩ ±1% 0603	32.00	R57,R16,R58,R26,R20, R32,R23,R28,R29,R31, R22,R27,R30,R12,R61, R43,R60,R47,R4,R51, R59,R11,R1,R6,R55, R24,R53,R17,R49,R56, R21,R9
0004	CI00055	SMD ceramic capacitor 0603	47PF/50V C0G± 5%(C1608C0G1H470JT)/TDK	12.00	C20,C19,C25,C29,C35, C17,C18,C36,C21,C37, C14,C26
0005	SE00011	SMD rectifier diode	RLS4148 0.5A (LL-34)	16.00	D23,D12,D13,D9,D11, D14,D21,D10,D7,D25, D22,D5,D26,D24,D8,D6
0006	SG00122	SMD integrated circuit-RS-ACT	NJM4580M-TE3(SOP8)/(JRC)	6.00	U7,U8,U9,U4,U6,U5

Rank	Part No.	Description	Specification	QTY	remark
------	----------	-------------	---------------	-----	--------

0007	CI00185	SMD ceramic capacitor 0603	0.1uF/50V X7R±10%(C1608X7R1H104KT)/TDK	11.00	C44,C46,C49,C51,C50,C41,C42,C43,C45,C47,C48
0008	HK08822	PC board-RS	P-M.1500INPUT_AI	1.00	
0001	HA01925	jump	10mm	4.00	J6,J8,J15,J25
0001	HA02249	wire	φ0.6_tinning	0.02	
0002	HA01930	jump	15mm	2.00	J9,J10
0001	HA02249	wire	φ0.6_tinning	0.03	
0003	HA01919	jump	5mm	8.00	J5,J7,J13,J19,J21,J23,J27,J29
0001	HA02249	wire	φ0.6_tinning	0.02	
0004	HA02441	jump	7.5mm	11.00	J11,J12,J14,J16,J17,J18,J20,J22,J24,J26,J28
0001	HA02249	wire	φ0.6_tinning	0.08	
0005	CB00194	electrolytic capacitor	47uF/25V φ5*11mm	1.00	C12
0006	CB00263	electrolytic capacitor	10uF /25V φ4*7mm	9.00	C13,C4,C9,C3,C1,C8,C10,C11,C2
0007	CB00276	electrolytic capacitor	220uF/25V φ6.3*11mm 5mm	3.00	C54,C53,C52
0008	HB02508	PCB-RS	M.1500INPUT_VER070807	1.00	
0009	RD00095	SMD fixed resistor 1/10W	5.6KΩ ±5% 0603	2.00	R2,R3
0010	RD00510	SMD precise resistor 1/10W	6.20KΩ ±1% 0603	2.00	R19,R15
0010	CG00018	filter-EMI FILTER	LF-22UH(WAH TAYI)	8.00	L5,L1,L6,L2,L3,L4,L8,L7
0079	HK08824	PC board-RS	P-M.1500OUTPUT	1.00	
0001	HC00442	speaker socket	NL4MP (NEUTRIK)	2.00	SPK3,SPK4
0002	MJ00942	fixed bracket	CS12/600_V1.3	2.00	
0001	MJ00061	iron board	1*2135*1220 20.45kg	1.00	
0003	HA04434	wire-RS	4P 600mm UL1015 18AWG	1.00	
0004	HB02509	PCB-RS	M.1000&M.1500 OUTPUT_VER070724	1.00	
0005	AC00179	tin without lead-RS	M705E Sn 3Ag-0.5Cu	0.22	
0080	HK07707	PC board	P-APM120-OUTPUT CN	1.00	
0001	HC00945	terminal block-RS	2ESDCR-02P PH5.08mm	2.00	JACK5,JACK6
0002	HC00947	terminal block-RS	2ESDCR-05P PH5.08mm	2.00	JACK8,JACK9
0003	HC00077	connector(male)	3P 2.5mm 180°	2.00	CN1,CN4
0004	HC00174	connector(male)	4P 3.96mm 180°	1.00	CN5
0005	HB02257	PCB-RS	M.1000&M.1500 OUTPUT_VER061407	1.00	
0006	AC00179	tin without lead-RS	M705E Sn 3Ag-0.5Cu	0.72	
0081	NE17845	label-RS	M.1000 PROEL_V1.0	1.00	
0001	NI00027	membrane	0.105*1M	1.00	
0002	NH00021	bond paper	0.11*1M	1.00	
0082	NE00840	label	SOLTON	1.00	
0001	NH00115	paper	0.045*1M	1.00	
0002	NI00015	membrane	0.04*1M	1.00	
0083	HK09194	PC board	P-M.1000USB MONO-DIP	1.00	
0001	RC00447	potentiometer	A50KΩ RD09F1130049-50K15A(SAS1);30F	24.00	P7,P8,P9,P16,P17,P18,P24,P25,P26,P34,P35,P36,P43,P44,P45,P52,P53,P54,P61,P62,P63,P70,P71,P72
0002	RC00358	potentiometer	B50KΩ-RD09F113A223-50K2BT(SAS1);30F-C	16.00	P3,P4,P12,P13,P20,P21,P30,P31,P39,P40,P48,P49,P57,P58,P66,P67
0003	SA00053	L.E.D	φ3 round(red)long foot 26mm	16.00	D1,D2,D4,D5,D7,D8,D10,D11,D13,D14,D16,D17,D19,D20,D22,D23
0004	NI01782	LED spacer support	LEDS-11 11mm	16.00	
0005	HC00076	connector(male)	2P 2.5mm 180°	1.00	CN2
0006	HC00126	balance MIC jack-RS	JY-5042-030G female plug 180°	8.00	S9,S10,S11,S12,S13,S14,S15,S16
0007	HC00125	MIC jack-RS	JY-6351G-02-250	16.00	S1,S2,S3,S4,S5,S6,S7,S8,S17,S18,S19,S20,S21,S22,S23,S24
0008	HC00255	connector(male)	4P 2.0mm 180°	2.00	CN3,CN4
0009	HC00254	connector(male)	3P 2.0mm 180°	1.00	CN5
0010	HC00065	connector(male)	2P 2.5mm 90°	1.00	CN1
0011	HC00079	connector(male)	5P 2.5mm 180°	1.00	CN6
0012	AC00179	tin without lead-RS	M705E Sn 3Ag-0.5Cu	30.57	
0013	RC00695	potentiometer-RS	B10KΩ XV09213YNPV30F-1B10K C.C	8.00	P1,P10,P19,P28,P37,P46,P55,P64

Rank	Part No.	Description	Specification	QTY	remark
------	----------	-------------	---------------	-----	--------

0014	RC00702	potentiometer-RS	J/Q10KΩ XV012313YGPV30F-20CA10K CC	8.00	P6,P15,P23,P33,P42,P51,P60,P69
0015	RC00356	potentiometer	Z10KΩ RD09F1130042-10KZ(SAS1);30F	8.00	P73,P74,P75,P76,P77,P78,P79,P80
0016	HI00402	push-button switch-RS	6P KFC-D85-F(2*3)(SELF-LOCK)	40.00	SW2,SW3,SW4,SW5,SW8,SW9,SW10,SW11,SW14,SW15,SW16,SW17,SW20,SW21,SW22,SW23,SW26,SW27,SW28,SW29,SW32,SW33,SW34,SW35,SW38,SW39,SW40,SW41,SW44,SW45,SW46,SW47,SW49,SW50,SW51,SW52,SW53,SW54,SW55,SW56
0017	HI00401	push-button switch-RS	12P KFC-D130-C(2*3)(SELF-LOCK)	8.00	SW6,SW12,SW16,SW24,SW20,SW26,SW42,SW4
0018	CB00363	electrolytic capacitor-RS	3300uF/6.3V 85°C φ10*20mm	8.00	C265,C266,C267,C268,C269,C270,C271,C272
0019	RC00728	potentiometer-RS	Z10KΩ XVJ602NPV15C-913Z10K-0241	8.00	P5,P14,P22,P32,P41,P50,P59,P68
0020	RC00742	potentiometer-RS	C100KΩ RD12L123A439-100K15C*2(SAS);30F	8.00	P2,P11,P27,P29,P38,P47,P56,P65
0021	HK09188	PC board	P-M.1000USB MONO-SMD	1.00	
0001	RD00300	SMD precise resistor 1/10W	6.04KΩ ±1% 0603	8.00	R14,R52,R90,R128,R166,R204,R242,R280
0002	RD00203	SMD precise resistor 1/10W	2.00KΩ ±1% 0603	16.00	R102,R103,R121,R139,R140,R305,R306,R307,R308,R309,R310,R311,R312,R313,R314,R315
0003	RD00315	SMD precise resistor 1/10W	475Ω ±1% 0603	8.00	R380,R381,R382,R383,R384,R385,R386,R387
0004	SF00053	transistor	MMBT3906(SOT23)/(PHI)	24.00	TR1,TR2,TR3,TR4,TR5,TR6,TR7,TR8,TR9,TR10,TR11,TR12,TR13,TR14,TR15,TR16,TR17,TR18,TR19,TR20,TR21,TR22,TR23,TR24
0005	SE00017	SMD zener diode-RS	1/2W 5.6V(RLZ5.6B) LL-34	32.00	D33,D34,D35,D36,D37,D38,D39,D40,D41,D42,D43,D44,D45,D46,D47,D48,D49,D50,D51,D52,D53,D54,D55,D56,D57,D58,D59,D60,D61,D62,D63,D64
0006	SE00010	SMD rectifier diode	BAS16(SOT-23)	40.00	D3,D6,D9,D12,D15,D18,D21,D24,D65,D66,D67,D68,D69,D70,D71,D72,D83,D84,D85,D86,D87,D88,D89,D90,D91,D92,D93,D94,D95,D96,D97,D98,D99,D100,D101,D102,D103,D104,D105,D106
0007	SE00028	SMD rectifier diode-RS-ACT	BAS316,115	8.00	D25,D26,D27,D28,D29,D30,D31,D32
0008	SG00122	SMD integrated circuit-RS-ACT	NJM4580M-TE3(SOP8)/(JRC)	40.00	IC1,IC2,IC3,IC4,IC5,IC6,IC7,IC8,IC9,IC10,IC11,IC12,IC13,IC14,IC15,IC16,IC17,IC18,IC19,IC20,IC21,IC22,IC23,IC24,IC25,IC26,IC27,IC28,IC29,IC30,IC31,IC32,IC33,IC34,IC35,IC36,IC37,IC38,IC39,IC40
0009	RD00326	SMD precise resistor 1/10W	6.80KΩ ±1% 0603	8.00	R486,R489,R492,R495,R498,R501,R504,R507
0010	RD00457	SMD precise resistor 1/10W	150KΩ ±1% 0603	8.00	R25,R40,R78,R116,R154,R192,R230,R268
Rank	Part No.	Description	Specification	QTY	remark

0011	RD00204	SMD precise resistor 1/10W	2.49KΩ ±1% 0603	24.00	R348,R349,R350,R351, R352,R353,R354,R355, R356,R357,R358,R359, R360,R361,R362,R363, R364,R365,R366,R367, R368,R369,R370,R371
0012	RD00351	SMD fixed resistor 1/10W	1.3KΩ ±5% 0603	16.00	R8,R9,R46,R47,R84,R85, R122,R123,R160,R161, R198,R199,R236,R237, R274,R275
0013	RD00330	SMD precise resistor 1/10W	39.0KΩ ±1% 0603	8.00	R532,R533,R534,R535, R536,R537,R538,R539
0014	RD00214	SMD precise resistor 1/10W	10.0KΩ ±1% 0603	144.00	R6,R10,R12,R13,R15,R16, R18,R22,R23,R24,R29, R30,R31,R34,R35,R36, R44,R48,R50,R51,R53, R54,R56,R60,R61,R62, R67,R68,R69,R72,R73, R74,R82,R86,R88,R89, R91,R92,R94,R98,R99, R100,R105,R106,R107, R110,R111,R112,R120, R124,R126,R127,R129, R130,R132,R136,R137, R138,R143,R144,R145, R148,R149,R150,R158, R162,R164,R165,R167, R168,R170,R174,R175, R176,R181,R182,R183, R186,R187,R188,R196, R200,R202,R203,R205, R206,R208,R212,R213, R214,R219,R220,R221, R224,R225,R226,R234, R238,R240,R241,R243, R244,R246,R250,R251, R252,R257,R258,R259, R262,R263,R264,R272, R276,R278,R279,R281, R282,R284,R288,R289, R290,R295,R296,R297, R300,R301,R302,R484, R485,R487,R488,R490, R491,R493,R494,R496, R497,R499,R500,R502, R503,R505,R506
0015	RD00209	SMD precise resistor 1/10W	4.99KΩ ±1% 0603	16.00	R316,R317,R318,R319, R320,R321,R322,R323, R324,R325,R326,R327, R328,R329,R330,R331
0016	RD00470	SMD precise resistor 1/10W	2.55KΩ ±1% 0603	8.00	R524,R525,R526,R527, R528,R529,R530,R531
0017	RD00224	SMD precise resistor 1/10W	100KΩ ±1% 0603	32.00	R32,R33,R70,R71,R108, R109,R146,R147,R184, R185,R222,R223,R260, R261,R298,R299,R404, R405,R406,R407,R408, R409,R410,R411,R412, R413,R414,R415,R416, R417,R418,R419
0018	RD00512	SMD precise resistor 1/10W	180KΩ ±1% 0603	16.00	R7,R20,R41,R42,R79,R80, R117,R118,R155,R156, R193,R194,R231,R232, R260,R270
0019	RD00219	SMD precise resistor 1/10W	20.0KΩ ±1% 0603	8.00	R332,R333,R334,R335, R336,R337,R338,R339
0020	RD00271	SMD precise resistor 1/10W	2.67KΩ ±1% 0603	16.00	R468,R469,R470,R471, R472,R473,R474,R475, R476,R477,R478,R479, R480,R481,R482,R483

Rank	Part No.	Description	Specification	QTY	remark
------	----------	-------------	---------------	-----	--------

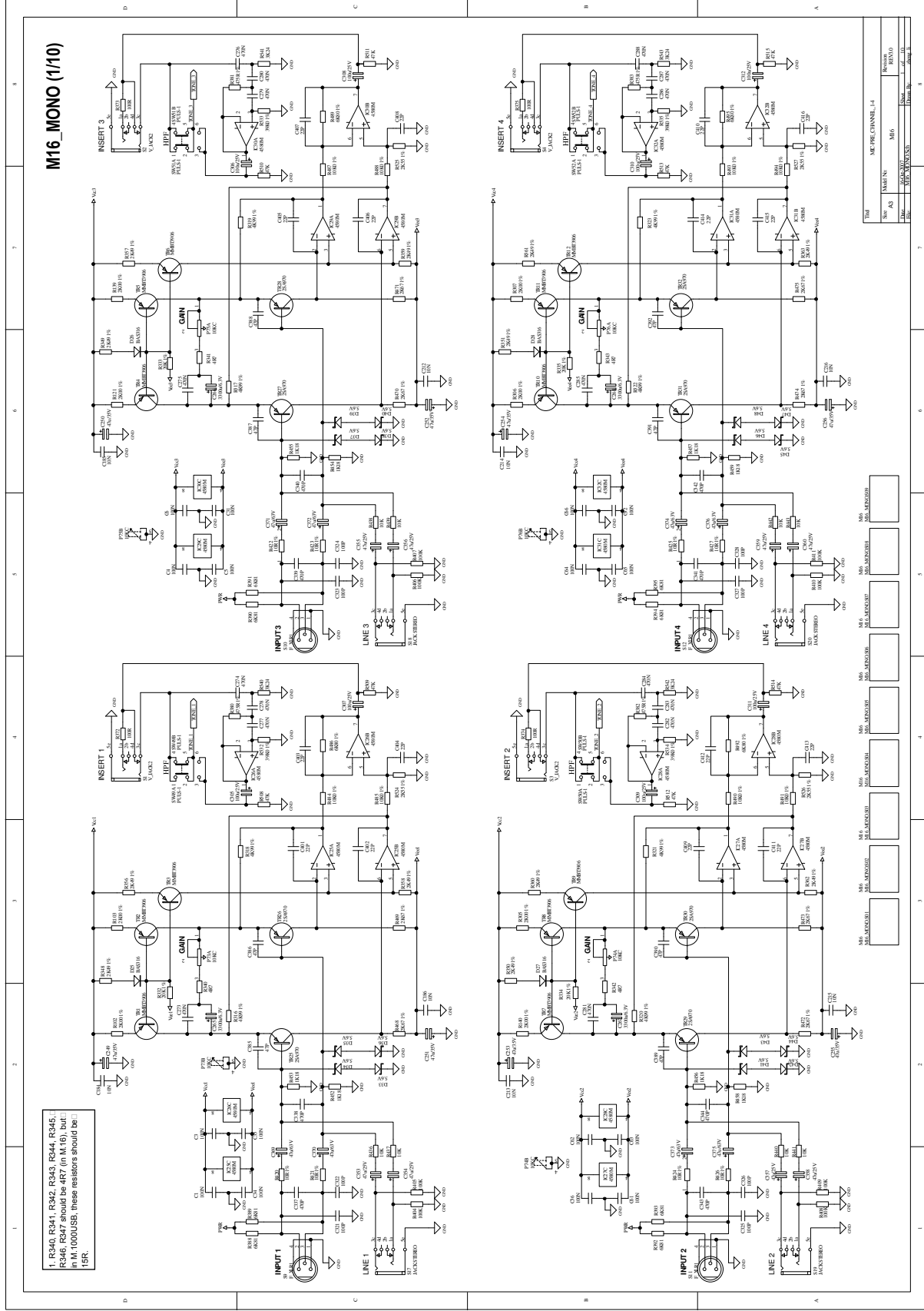
0021	RD00405	SMD precise resistor 1/10W	1.18K Ω \pm 1% 0603	16.00	R452,R453,R454,R455, R456,R457,R458,R459, R460,R461,R462,R463, R464,R465,R466,R467
0022	RD00101	SMD fixed resistor 1/10W	10K Ω \pm 5% 0603	16.00	R436,R437,R438,R439, R440,R441,R442,R443, R444,R445,R446,R447, R448,R449,R450,R451
0023	RD00272	SMD precise resistor 1/10W	10.0 Ω \pm 1% 0603	16.00	R420,R421,R422,R423, R424,R425,R426,R427, R428,R429,R430,R431, R432,R433,R434,R435
0024	RD00274	SMD precise resistor 1/10W	100 Ω \pm 1% 0603	8.00	R372,R373,R374,R375, R376,R377,R378,R379
0025	RD00111	SMD fixed resistor 1/10W	47K Ω \pm 5% 0603	40.00	R1,R17,R21,R39,R55, R59,R77,R93,R97,R115, R131,R135,R153,R169, R173,R191,R207,R211, R229,R245,R249,R267, R283,R287,R508,R509, R510,R511,R512,R513, R514,R515,R516,R517, R518,R519,R520,R521, R522,R523
0026	RD00105	SMD fixed resistor 1/10W	22K Ω \pm 5% 0603	8.00	R11,R49,R87,R125,R163 ,R201,R239,R277
0027	RD00415	SMD precise resistor 1/10W	4.70K Ω \pm 1% 0603	8.00	R20,R58,R96,R134,R172 ,R210,R248,R286
0028	RD00527	SMD precise resistor 1/10W	15.0 Ω \pm 1% 0603	8.00	R340,R341,R342,R343, R344,R345,R346,R347
0029	RD00285	SMD precise resistor 1/10W	3.24K Ω \pm 1% 0603	8.00	R540,R541,R542,R543, R544,R545,R546,R547
0030	CI00091	SMD ceramic capacitor 0603	0.0056uF/50V X7R \pm 10%	8.00	C2,C32,C33,C91,C121, C151,C181,C211
0031	CI00142	SMD ceramic capacitor 0603	180PF/50V C0G \pm 5%(C1608C0G1H181J)/TDK	16.00	C401,C402,C405,C406, C409,C411,C414,C415, C417,C418,C425,C429, C421,C430,C431,C432
0032	CI00173	SMD ceramic capacitor 0603	270PF/50V NPO \pm 5%	8.00	C14,C44,C74,C104,C134 ,C164,C194,C224
0033	CI00174	SMD ceramic capacitor 0603	0.47uF/25V +80;- 20%(C1608Y5V1E474ZT)/TDK	8.00	C273,C275,C281,C285, C289,C291,C297,C301
0034	CI00071	SMD ceramic capacitor 0603	0.01uF/50V X7R \pm 10%	16.00	C184,C185,C186,C212, C213,C214,C215,C216, C241,C242,C243,C244, C245,C246,C247,C248
0035	CI00063	SMD ceramic capacitor 0603	470PF/50V NPO \pm 5 %	16.00	C337,C338,C339,C340, C341,C342,C343,C344, C345,C346,C347,C348, C349,C350,C351,C352
0036	CI00059	SMD ceramic capacitor 0603	100PF/50V NPO \pm 5%	16.00	C321,C322,C323,C324, C325,C326,C327,C328, C329,C330,C331,C332, C333,C334,C335,C336

Rank	Part No.	Description	Specification	QTY	remark
------	----------	-------------	---------------	-----	--------

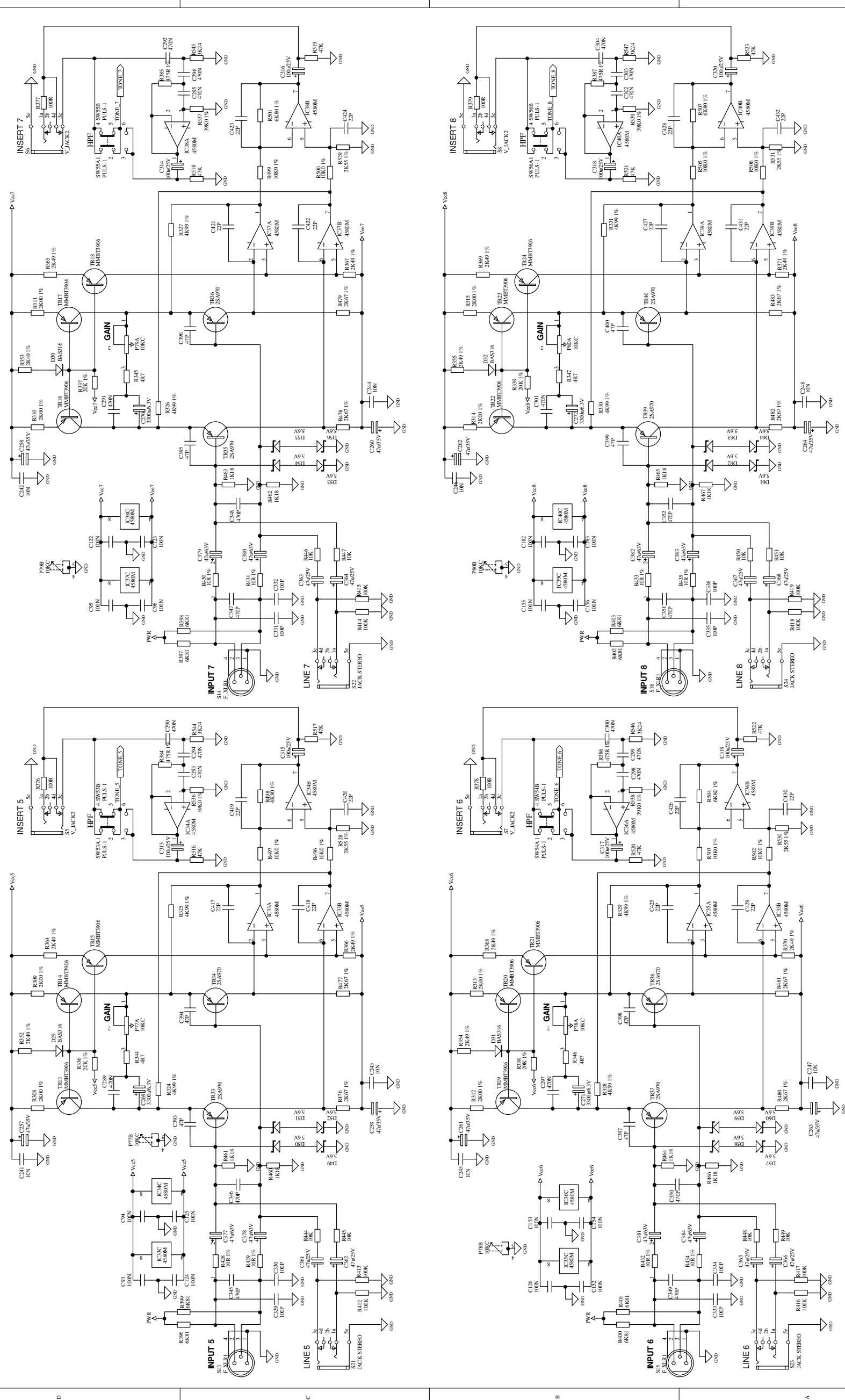
0037	CI00075	SMD ceramic capacitor 0603	0.1uF/50V Y5V +80,-20%	80.00	C1,C3,C4,C5,C6,C21,C22, C23,C28,C29,C30,C31, C34,C35,C36,C51,C52, C53,C57,C58,C59,C61, C62,C63,C64,C65,C66, C81,C82,C83,C87,C88, C89,C92,C93,C94,C95, C96,C111,C112,C113, C117,C118,C119,C122, C123,C124,C125,C126, C141,C142,C143,C147, C148,C149,C152,C153, C154,C155,C156,C171, C172,C173,C177,C178, C179,C182,C183,C201, C202,C203,C207,C208, C209,C231,C232,C233, C237,C238,C239
0038	CI00268	SMD ceramic capacitor- RS 0603	47PF/50V NPO ±5 %	16.00	C385,C386,C387,C388, C389,C390,C391,C392, C393,C394,C395,C396, C397,C398,C399,C400
0039	CI00266	SMD ceramic capacitor- RS 0603	22PF/50V NPO ±5 %	32.00	C9,C17,C39,C47,C69,C77, C99,C107,C129,C137, C159,C167,C189,C197, C219,C227,C403,C404, C407,C408,C410,C412, C413,C416,C419,C420, C422,C423,C424,C426, C427,C428
0040	HK08595	PC board	P-M16 MONO-AI	1.00	
0001	RA01262	precise resistor 1/4W	6.81KΩ ±1%	16.00	R388,R389,R390,R391, R392,R393,R394,R395, R396,R397,R398,R399, R400,R401,R402,R403
0002	RA01114	fixed resistor 1/4W	2.2KΩ	16.00	R19,R27,R43,R57,R81, R95,R119,R133,R157, R171,R195,R209,R233, R247,R271,R285
0003	RA01258	fixed resistor 1/4W	10Ω	16.00	R28,R37,R66,R75,R104, R113,R142,R151,R180, R189,R218,R227,R256, R265,R294,R303
0004	SB00175	transistor-RS-ACT	2SA970- BL(TE2;T)(SC43)(TOSHIBA)	16.00	TR25,TR26,TR27,TR28, TR29,TR30,TR31,TR32, TR33,TR34,TR35,TR36, TR37,TR38,TR39,TR40
0005	CB00260	electrolytic capacitor	47uF/35V φ5*11mm 2.5mm	40.00	C16,C24,C25,C46,C54, C60,C76,C84,C90,C106, C114,C120,C136,C144, C150,C166,C174,C180, C196,C204,C210,C226, C234,C240,C249,C250, C251,C252,C253,C254, C255,C256,C257,C258, C259,C260,C261,C262, C263,C264
0006	CF00137	metal-film capacitor MSC	0.033uF/63V 5% CASE01	16.00	C11,C12,C41,C42,C71,C72, C101,C102,C131,C132, C161,C162,C191,C192, C221,C222
0007	CF00148	metal-film capacitor	0.0033uF/100V 5% CASE01	16.00	C10,C13,C40,C43,C70, C73,C100,C103,C130, C133,C160,C163,C190, C193,C220,C223
0008	CF00156	metal-film capacitor MSC	0.47uF/63V 5% CASE02	24.00	C274,C276,C277,C278, C279,C280,C282,C283, C284,C286,C287,C288, C290,C292,C293,C294, C295,C296,C298,C299, C300,C302,C303,C304
Rank	Part No.	Description	Specification	QTY	remark

0009	CF00019	metal-film capacitor MSC	0.015uF/100V 5% CASE01	16.00	C7,C8,C37,C38,C67,C68,C97,C98,C127,C128,C157,C158,C187,C188,C217,C218
0010	CB00189	electrolytic capacitor	1.0uF/50V φ4*5mm	16.00	C19,C20,C49,C50,C79,C80,C109,C110,C139,C140,C169,C170,C199,C200,C229,C230
0011	CB00194	electrolytic capacitor	47uF/25V φ5*11mm	16.00	C353,C354,C355,C356,C357,C358,C359,C360,C361,C362,C363,C364,C365,C366,C367,C368
0012	CB00235	electrolytic capacitor	100uF/25V φ6*11mm	48.00	C15,C18,C26,C27,C45,C48,C55,C56,C75,C78,C85,C86,C105,C108,C115,C116,C135,C138,C145,C146,C165,C168,C175,C176,C195,C198,C205,C206,C225,C228,C235,C236,C305,C306,C307,C308,C309,C310,C311,C312,C313,C314,C315,C316,C317,C318,C319,C320
0013	CB00330	electrolytic capacitor-RS	47uF/63V φ6*11mm	16.00	C369,C370,C371,C372,C373,C374,C375,C376,C377,C378,C379,C380,C381,C382,C383,C384
0014	HB02451	PCB-RS	M16_MONO_VER070807	1.00	
0084	MG00097	color screw	M3*28	4.00	
0085	MG00566	screw	M3*10*0.5PH_V1.0	8.00	
0086	NA00137	clip-chain bag	5*7	1.00	
0087	NE16636	lable-RS	POWERMOD 350/65_V1.0	1.00	
0001	NI00017	membrane	0.055*1M	1.00	
0002	NI00039	adhesive label	0.06*1M	1.00	
0088	NE16634	lable-RS-CT	DIGIMOD1000_V1.1	1.00	
0001	NI00039	adhesive label	0.06*1M	1.00	
0002	NI00017	membrane	0.055*1M	1.00	
0089	NF02934	assurance card-RS	M.1000 PROEL_V1.0	1.00	
0001	NH00149	paper	889*640mm	0.13	
0090	NE17847	label-RS	M.1000_V1.0	1.00	
0001	NI00017	membrane	0.055*1M	1.00	
0002	NI00039	adhesive label	0.06*1M	1.00	
0091	NE17846	label-RS	M.1000_V1.0	1.00	
0001	NI00014	membrane	0.035*1M	1.00	
0002	NI00035	adhesive label	0.04*1m	1.00	
0092	HD00019	glass tube fuse	4A 250V φ5.2*20mm CSA/S/UL/VDE	1.00	
0093	MI04269	fixed bracket-RS	M.16 USB 1.2*19.5*23.25*392.5_V1.0	1.00	
0001	AE00055	solvent	solvent	2.70	
0002	AE00512	paint-RS-CT	5249A	5.40	
0003	MI04268	fixed bracket-RS	M.16 USB 1.2*19.5*23.25*392.5_V1.1	1.00	
0001	MJ00059	single light board	1.2*2135*1220 24.54kg	1.00	
0094	MI04267	fixed bracket-RS	M.16 USB 1.2*19.5*23.25*392.5_V1.0	1.00	
0001	AE00055	solvent	solvent	2.70	
0002	AE00512	paint-RS-CT	5249A	5.40	
0003	MI04266	fixed bracket-RS	M.16 USB 1.2*19.5*23.25*392.5_V1.1	1.00	
0001	MJ00059	single light board	1.2*2135*1220 24.54kg	1.00	
0095	NI05149	insulation piece-RS	M.1000 0.5t*271*68_V1.0	1.00	
0001	NI04630	film-RS-CT	450*605*0.5mm 0.184kg_V1.0	1.00	
0096	ND00943	dustproof cloth-RS	M.16 USB 0.35t*431*89.5(2016B)_V1.0	1.00	
0097	HA05136	wire-RS	3P-3P 860mm UL2547 28AWG	1.00	
0098	NI05160	foot cushion-RS	φ20.8*11.8(FF-1)	4.00	
0099	HA05137	wire-RS	6P-6P 320mm UL2547 28AWG	1.00	
0100	HE00143	fan-RS	DC24V/3500RPM 80*80*25mm 300mm 2.54 3P	1.00	
0101	NF02960	user manual-RS	M.1000 PROEL_V1.0	1.00	
0001	NH00149	paper	889*640mm	2.25	

2. SCHEMATIC DIAGRAM

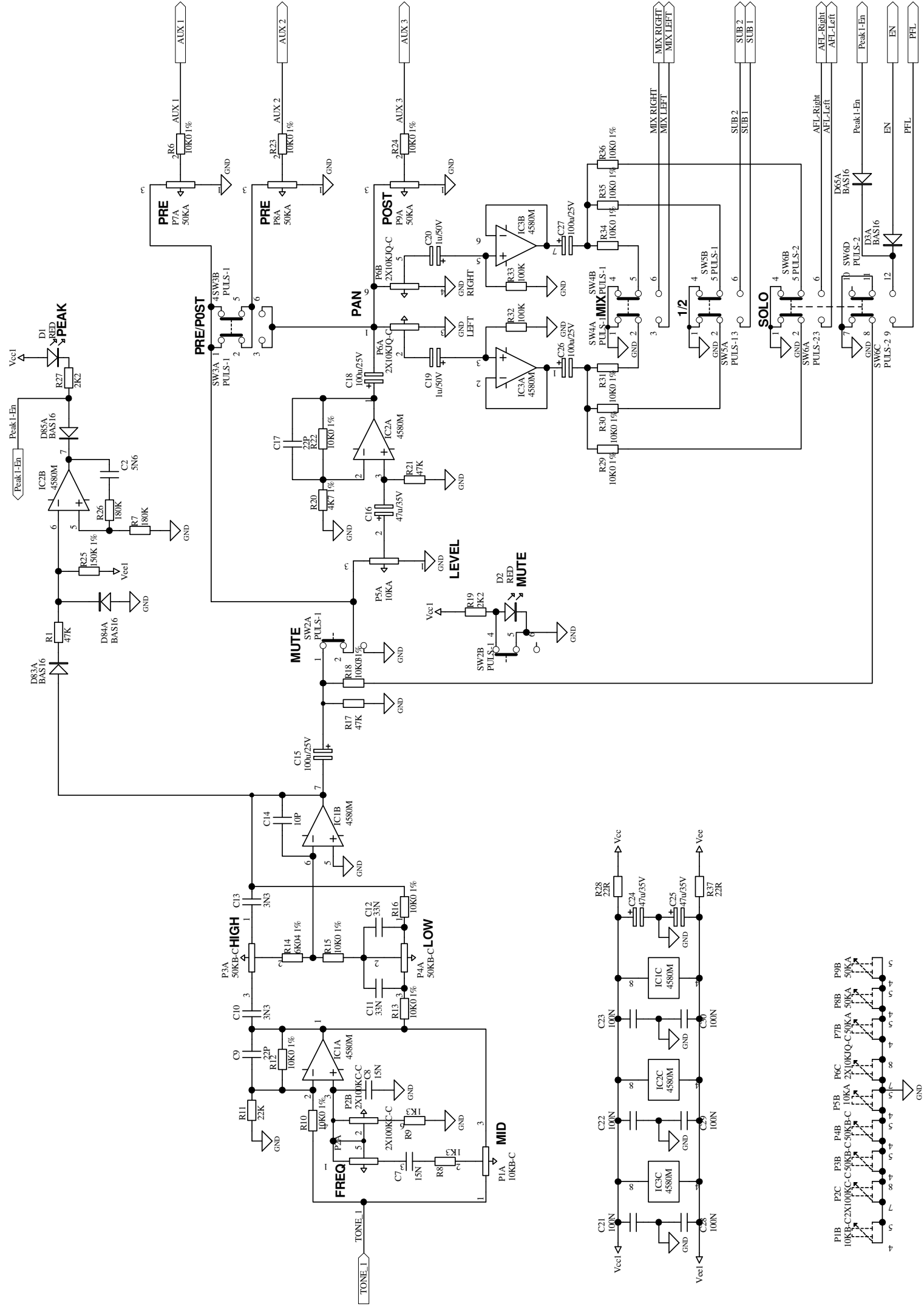


M16_MONO (2/10)



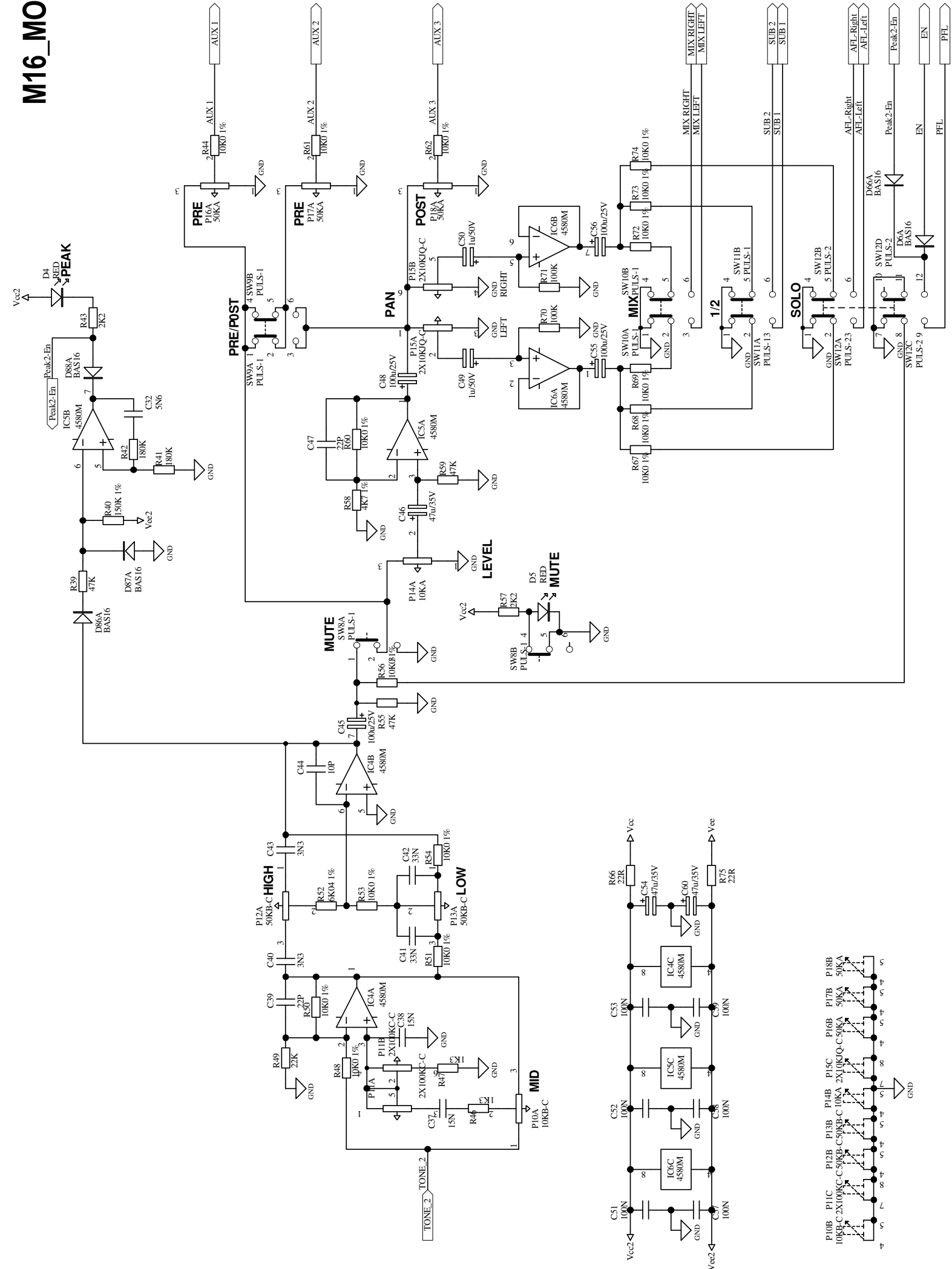
Part	MIC-PRE-CHANNEL_5-8
Model No.	M16
Size	A3
Date	16-05-2017
Doc.	M16_MONO(SU)
Sheet	2 of 10
Drawn By.	Abhej.L

M16_MONO (3/10)



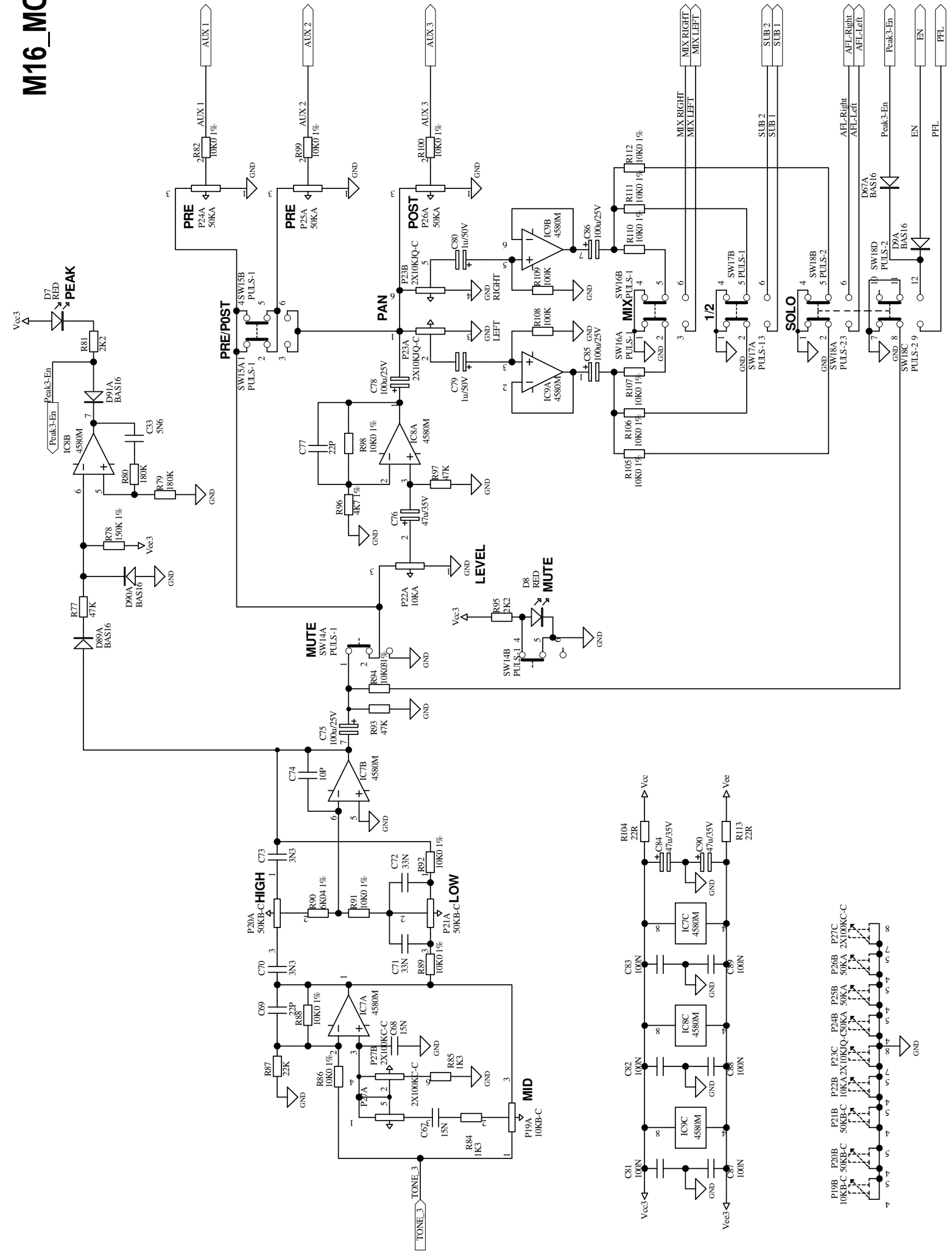
Title		MONO-CHANNEL I	
Size	A3	Model No.	M16
Date:	16-Oct-2007	Revision	REV3.0
File:	M16_MONO.S02	Sheet	3 of 10
		Drawn By:	zheng li

M16_MONO (4/10)



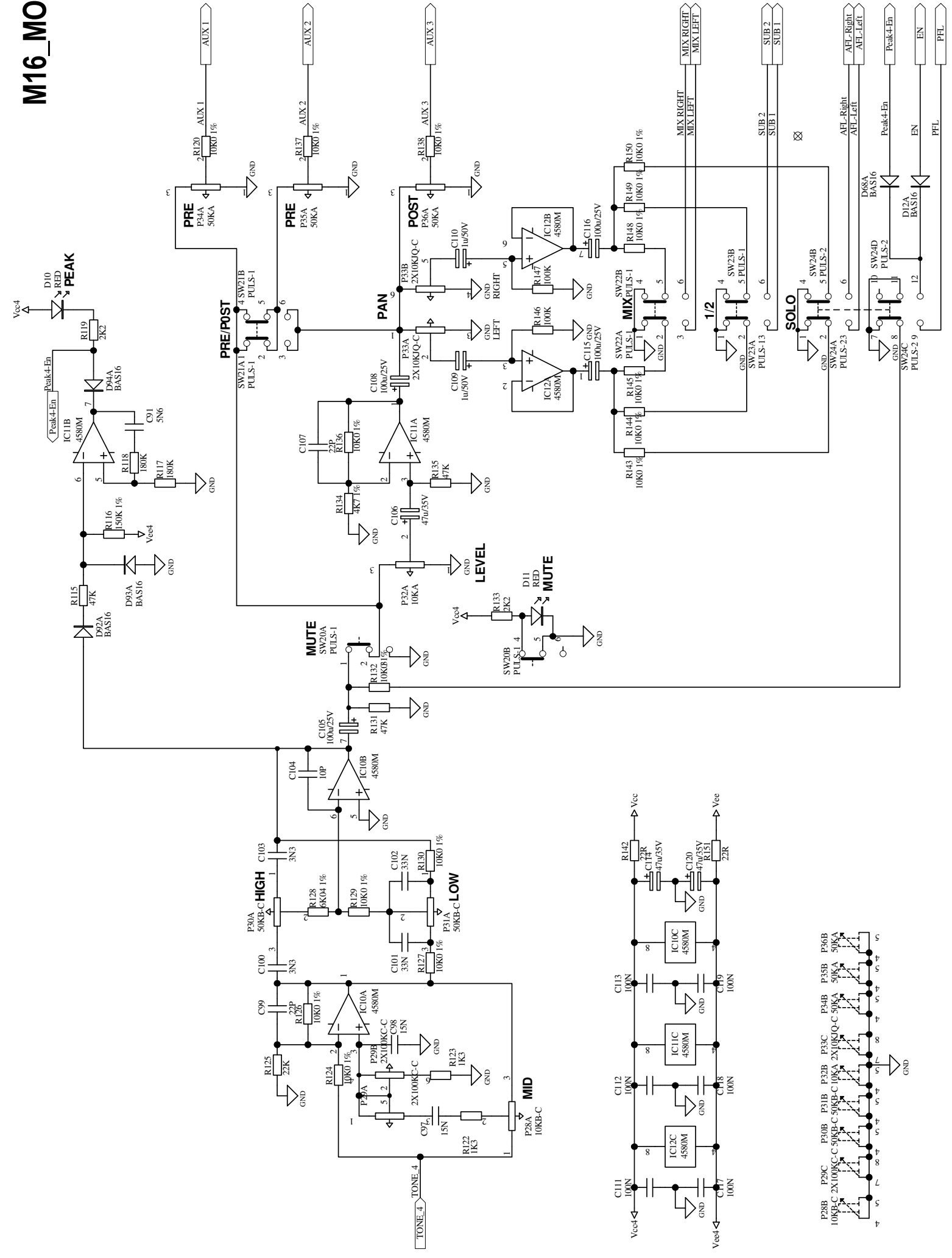
Title		MONO-CHANNEL2	
Size	A3	Model No.	M16
Date:	16-Oct-2007	Revision	REV3.0
File:	M16_MONO.S03	Sheet	4 of 10
		Drawn By:	zheng li

M16_MONO (5/10)



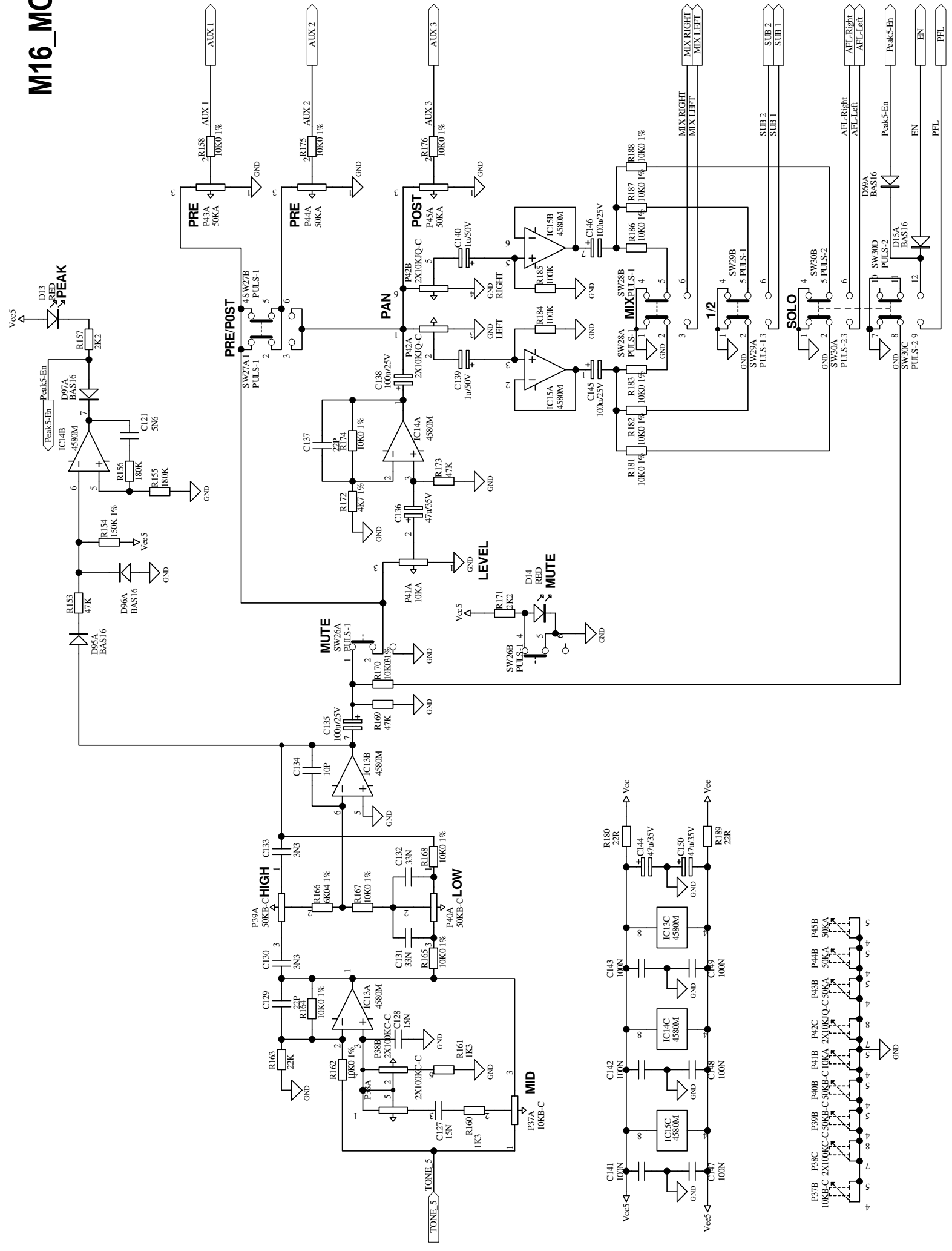
Title		MONO-CHANNEL3	
Size	A3	Model No.	M16
Date:	16-Oct-2007	Revision	REV3.0
File:	M16_MONO.S04	Sheet	5 of 10
		Drawn By:	zheng li

M16_MONO (6/10)



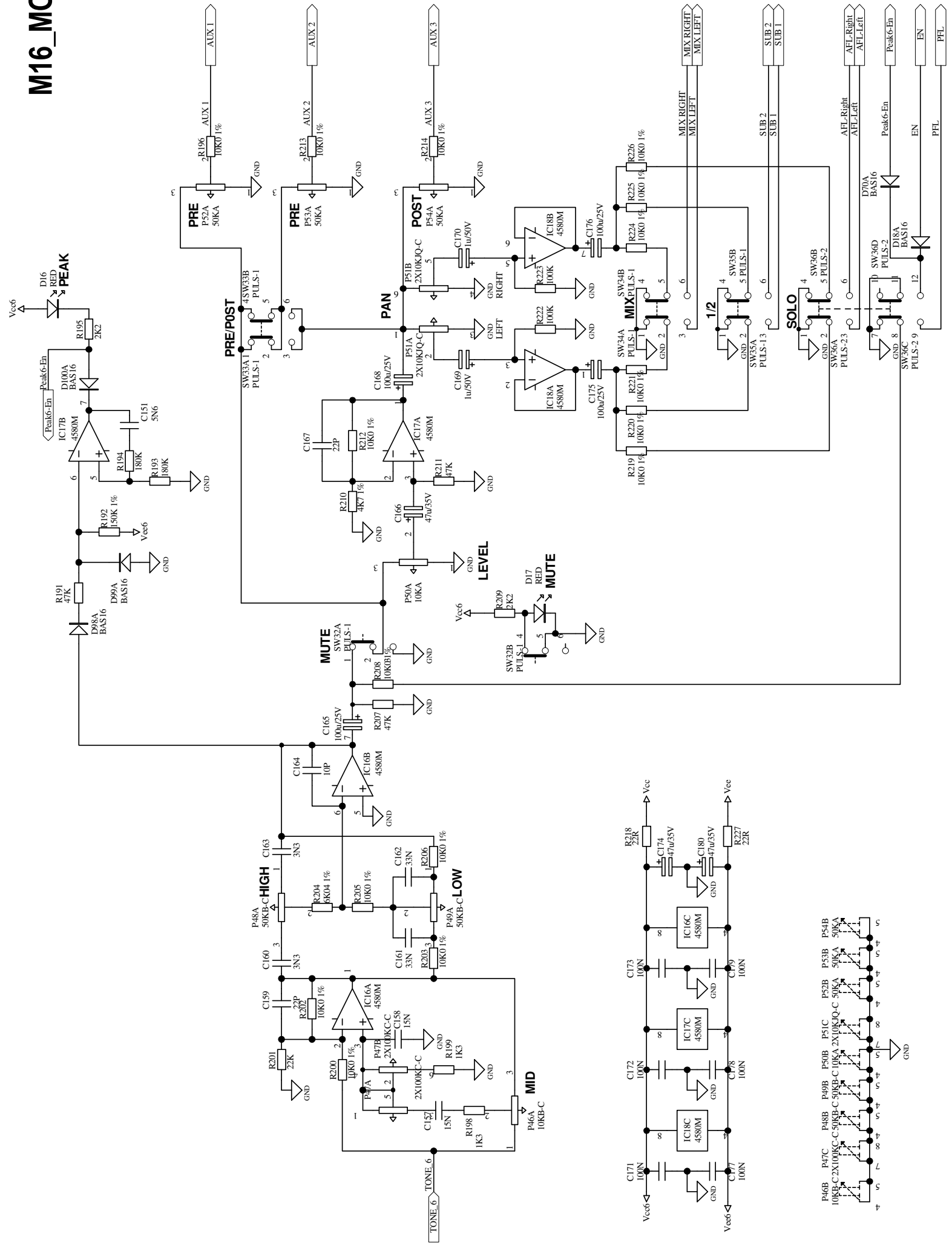
Title		MONO-CHANNEL4	
Size	A3	Model No.	M16
Date:	16-Oct-2007	Revision	REV3.0
File:	M16_MONO.S05	Sheet	6 of 10
		Drawn By:	zheng li

M16_MONO (7/10)



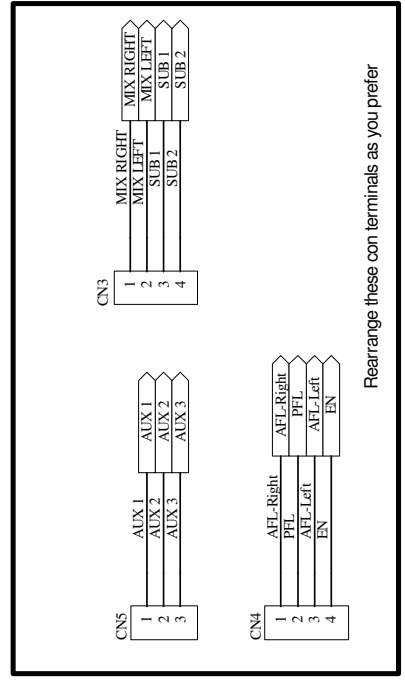
Title		MONO-CHANNEL5	
Size	A3	Model No.	M16
Date:	16-Oct-2007	Revision	REV3.0
File:	M16_MONO.S06	Sheet	7 of 10
		Drawn By:	zheng li

M16_MONO (8/10)



Title		MONO-CHANNEL 6	
Size	A3	Model No.	M16
Date:	16-Oct-2007	Revision	REV3.0
File:	M16_MONO.S07	Sheet	8 of 10
		Drawn By:	zheng li

M16_MONO (10/10)

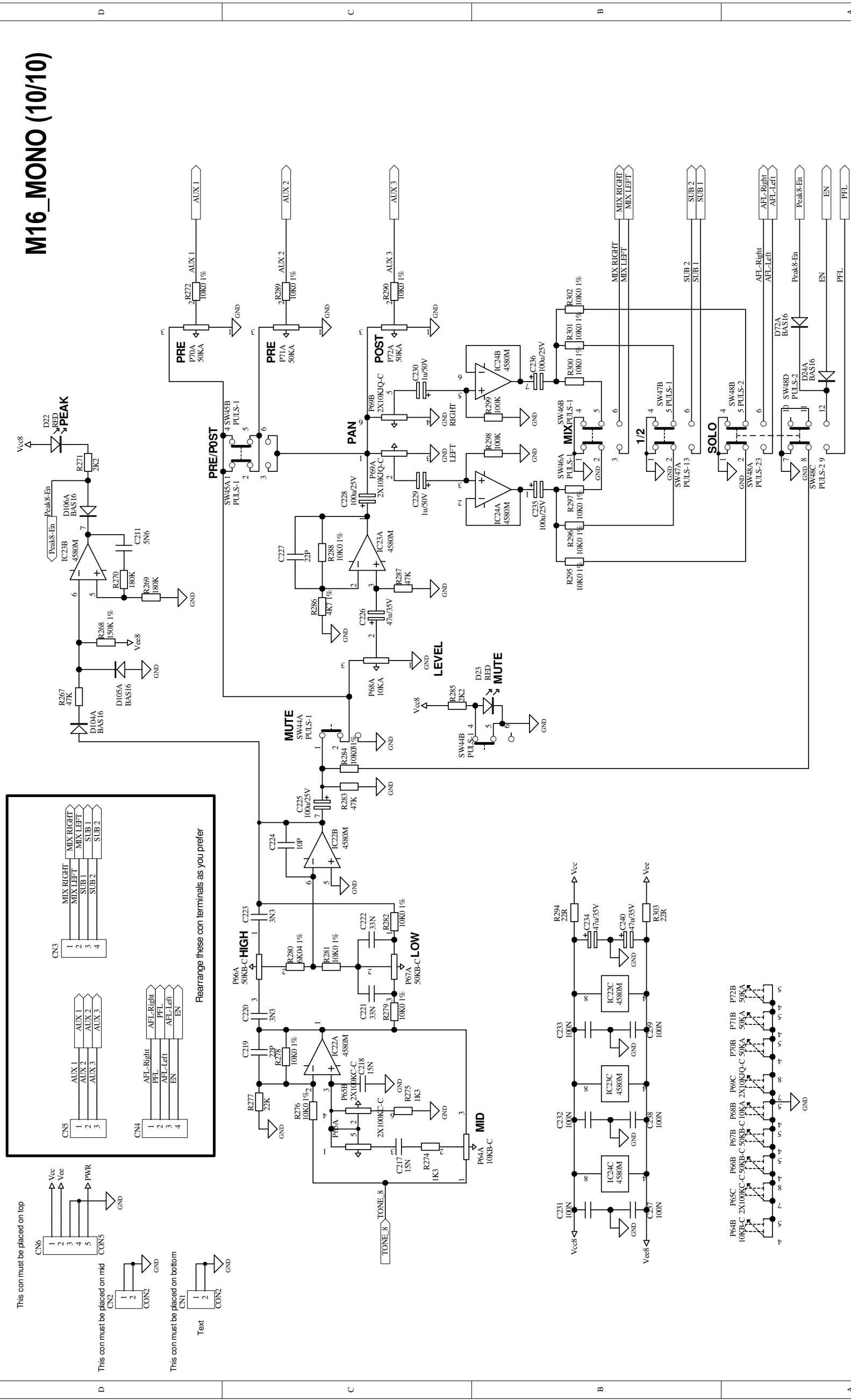


This con must be placed on top

This con must be placed on mid

This con must be placed on bottom

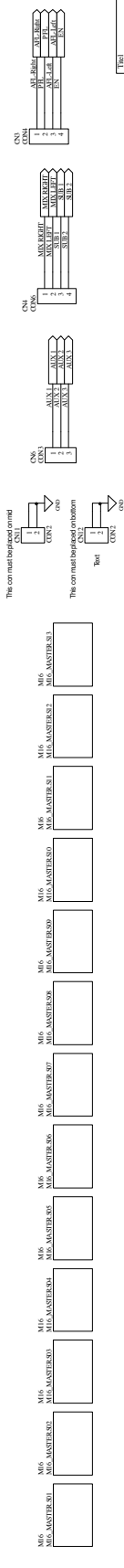
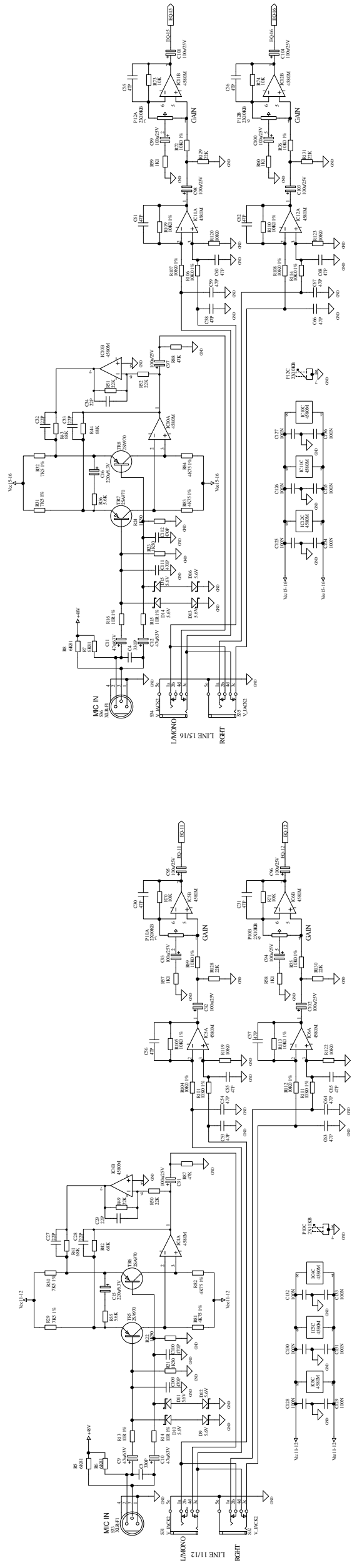
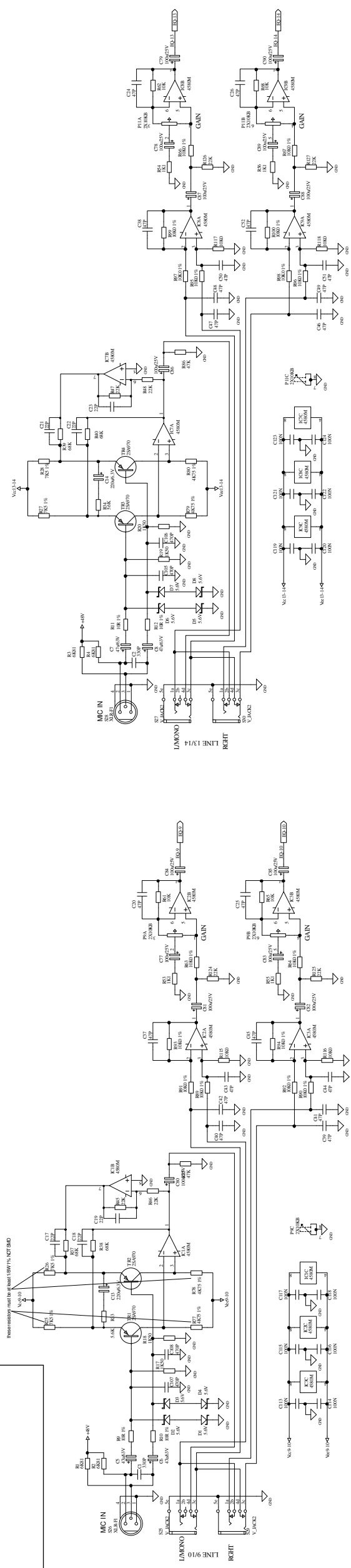
Rearrange these con terminals as you prefer



Title		MONO-CHANNEL 8	
Size	A3	Model No.	M16
Date:	16-Oct-2007	Revision	REV3.0
File:	M16_MONO.S09	Sheet	10 of 10
		Drawn By:	zheng li

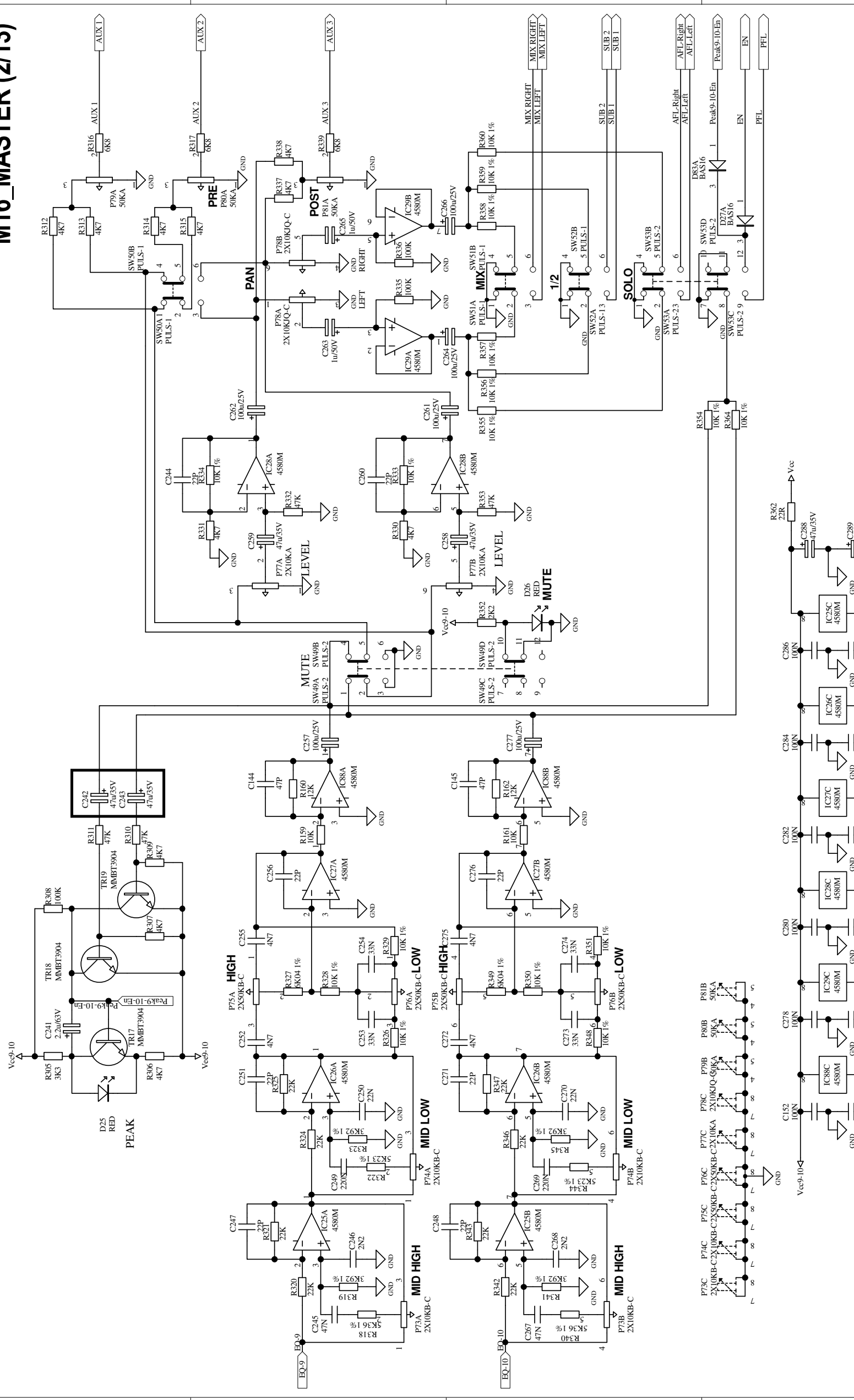
1. R9, R10, R11, R13, R14, R15, R16 should be 100nm.
2. The resistor value of R62, R65, R28, R29 should be 1K5 1%.
3. The resistor value of R12, R13, R14, R15, R16, R17, R18, R19, R20, R21, R22, R23, R24, R25, R26, R27, R28, R29, R30, R31, R32, R33, R34, R35, R36, R37, R38, R39, R40, R41, R42, R43, R44, R45, R46, R47, R48, R49, R50, R51, R52, R53, R54, R55, R56, R57, R58, R59, R60, R61, R62, R63, R64, R65, R66, R67, R68, R69, R70, R71, R72, R73, R74, R75, R76, R77, R78, R79, R80, R81, R82, R83, R84, R85, R86, R87, R88, R89, R90, R91, R92, R93, R94, R95, R96, R97, R98, R99, R100, R101, R102, R103, R104, R105, R106, R107, R108, R109, R110, R111, R112, R113, R114, R115, R116, R117, R118, R119, R120, R121, R122, R123, R124, R125, R126, R127, R128, R129, R130, R131, R132, R133, R134, R135, R136, R137, R138, R139, R140, R141, R142, R143, R144, R145, R146, R147, R148, R149, R150, R151, R152, R153, R154, R155, R156, R157, R158, R159, R160, R161, R162, R163, R164, R165, R166, R167, R168, R169, R170, R171, R172, R173, R174, R175, R176, R177, R178, R179, R180, R181, R182, R183, R184, R185, R186, R187, R188, R189, R190, R191, R192, R193, R194, R195, R196, R197, R198, R199, R200, R201, R202, R203, R204, R205, R206, R207, R208, R209, R210, R211, R212, R213, R214, R215, R216, R217, R218, R219, R220, R221, R222, R223, R224, R225, R226, R227, R228, R229, R230, R231, R232, R233, R234, R235, R236, R237, R238, R239, R240, R241, R242, R243, R244, R245, R246, R247, R248, R249, R250, R251, R252, R253, R254, R255, R256, R257, R258, R259, R260, R261, R262, R263, R264, R265, R266, R267, R268, R269, R270, R271, R272, R273, R274, R275, R276, R277, R278, R279, R280, R281, R282, R283, R284, R285, R286, R287, R288, R289, R290, R291, R292, R293, R294, R295, R296, R297, R298, R299, R300, R301, R302, R303, R304, R305, R306, R307, R308, R309, R310, R311, R312, R313, R314, R315, R316, R317, R318, R319, R320, R321, R322, R323, R324, R325, R326, R327, R328, R329, R330, R331, R332, R333, R334, R335, R336, R337, R338, R339, R340, R341, R342, R343, R344, R345, R346, R347, R348, R349, R350, R351, R352, R353, R354, R355, R356, R357, R358, R359, R360, R361, R362, R363, R364, R365, R366, R367, R368, R369, R370, R371, R372, R373, R374, R375, R376, R377, R378, R379, R380, R381, R382, R383, R384, R385, R386, R387, R388, R389, R390, R391, R392, R393, R394, R395, R396, R397, R398, R399, R400, R401, R402, R403, R404, R405, R406, R407, R408, R409, R410, R411, R412, R413, R414, R415, R416, R417, R418, R419, R420, R421, R422, R423, R424, R425, R426, R427, R428, R429, R430, R431, R432, R433, R434, R435, R436, R437, R438, R439, R440, R441, R442, R443, R444, R445, R446, R447, R448, R449, R450, R451, R452, R453, R454, R455, R456, R457, R458, R459, R460, R461, R462, R463, R464, R465, R466, R467, R468, R469, R470, R471, R472, R473, R474, R475, R476, R477, R478, R479, R480, R481, R482, R483, R484, R485, R486, R487, R488, R489, R490, R491, R492, R493, R494, R495, R496, R497, R498, R499, R500, R501, R502, R503, R504, R505, R506, R507, R508, R509, R510, R511, R512, R513, R514, R515, R516, R517, R518, R519, R520, R521, R522, R523, R524, R525, R526, R527, R528, R529, R530, R531, R532, R533, R534, R535, R536, R537, R538, R539, R540, R541, R542, R543, R544, R545, R546, R547, R548, R549, R550, R551, R552, R553, R554, R555, R556, R557, R558, R559, R560, R561, R562, R563, R564, R565, R566, R567, R568, R569, R570, R571, R572, R573, R574, R575, R576, R577, R578, R579, R580, R581, R582, R583, R584, R585, R586, R587, R588, R589, R590, R591, R592, R593, R594, R595, R596, R597, R598, R599, R600, R601, R602, R603, R604, R605, R606, R607, R608, R609, R610, R611, R612, R613, R614, R615, R616, R617, R618, R619, R620, R621, R622, R623, R624, R625, R626, R627, R628, R629, R630, R631, R632, R633, R634, R635, R636, R637, R638, R639, R640, R641, R642, R643, R644, R645, R646, R647, R648, R649, R650, R651, R652, R653, R654, R655, R656, R657, R658, R659, R660, R661, R662, R663, R664, R665, R666, R667, R668, R669, R670, R671, R672, R673, R674, R675, R676, R677, R678, R679, R680, R681, R682, R683, R684, R685, R686, R687, R688, R689, R690, R691, R692, R693, R694, R695, R696, R697, R698, R699, R700, R701, R702, R703, R704, R705, R706, R707, R708, R709, R710, R711, R712, R713, R714, R715, R716, R717, R718, R719, R720, R721, R722, R723, R724, R725, R726, R727, R728, R729, R730, R731, R732, R733, R734, R735, R736, R737, R738, R739, R740, R741, R742, R743, R744, R745, R746, R747, R748, R749, R750, R751, R752, R753, R754, R755, R756, R757, R758, R759, R760, R761, R762, R763, R764, R765, R766, R767, R768, R769, R770, R771, R772, R773, R774, R775, R776, R777, R778, R779, R780, R781, R782, R783, R784, R785, R786, R787, R788, R789, R790, R791, R792, R793, R794, R795, R796, R797, R798, R799, R800, R801, R802, R803, R804, R805, R806, R807, R808, R809, R810, R811, R812, R813, R814, R815, R816, R817, R818, R819, R820, R821, R822, R823, R824, R825, R826, R827, R828, R829, R830, R831, R832, R833, R834, R835, R836, R837, R838, R839, R840, R841, R842, R843, R844, R845, R846, R847, R848, R849, R850, R851, R852, R853, R854, R855, R856, R857, R858, R859, R860, R861, R862, R863, R864, R865, R866, R867, R868, R869, R870, R871, R872, R873, R874, R875, R876, R877, R878, R879, R880, R881, R882, R883, R884, R885, R886, R887, R888, R889, R890, R891, R892, R893, R894, R895, R896, R897, R898, R899, R900, R901, R902, R903, R904, R905, R906, R907, R908, R909, R910, R911, R912, R913, R914, R915, R916, R917, R918, R919, R920, R921, R922, R923, R924, R925, R926, R927, R928, R929, R930, R931, R932, R933, R934, R935, R936, R937, R938, R939, R940, R941, R942, R943, R944, R945, R946, R947, R948, R949, R950, R951, R952, R953, R954, R955, R956, R957, R958, R959, R960, R961, R962, R963, R964, R965, R966, R967, R968, R969, R970, R971, R972, R973, R974, R975, R976, R977, R978, R979, R980, R981, R982, R983, R984, R985, R986, R987, R988, R989, R990, R991, R992, R993, R994, R995, R996, R997, R998, R999, R1000.
4. Change 47K R15, R116, R117, R118, R119, R122, R120 & R123 to 10K0 1%.

M16_MASTER (1/13)



REV	DATE	CHANNEL	BY
REV01	01/13	M16	REV01
REV02	01/13	M16	REV02
REV03	01/13	M16	REV03
REV04	01/13	M16	REV04

M16_MASTER (2/13)



Model No:	M16
Revision:	REV3.0
Date:	16-Oct-2007
Sheet:	2 of 13
File:	M16_MASTER.S01
Drawn By:	zheng li

Title:	STEREO-9/10
Size:	A3

Model No:	M16
Revision:	REV3.0
Date:	16-Oct-2007
Sheet:	2 of 13
File:	M16_MASTER.S01
Drawn By:	zheng li

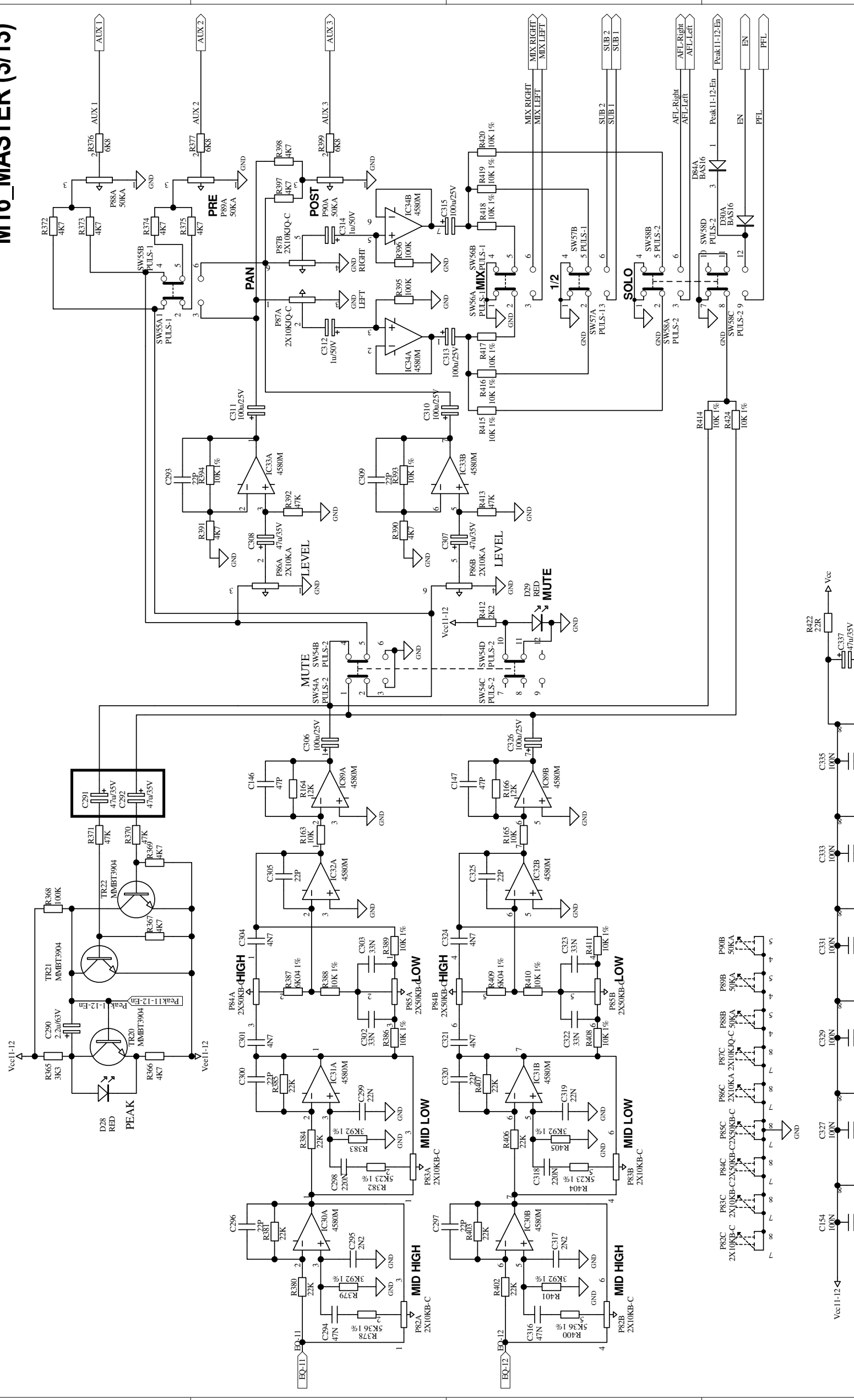
Title:	STEREO-9/10
Size:	A3

Model No:	M16
Revision:	REV3.0
Date:	16-Oct-2007
Sheet:	2 of 13
File:	M16_MASTER.S01
Drawn By:	zheng li

Title:	STEREO-9/10
Size:	A3

Model No:	M16
Revision:	REV3.0
Date:	16-Oct-2007
Sheet:	2 of 13
File:	M16_MASTER.S01
Drawn By:	zheng li

M16_MASTER (3/13)



Model No:	M16
Revision	REV3.0
Sheet	3 of 13
Drawn By:	zheng li

Size	A3
Model No:	M16
Revision	REV3.0
Sheet	3 of 13
Drawn By:	zheng li

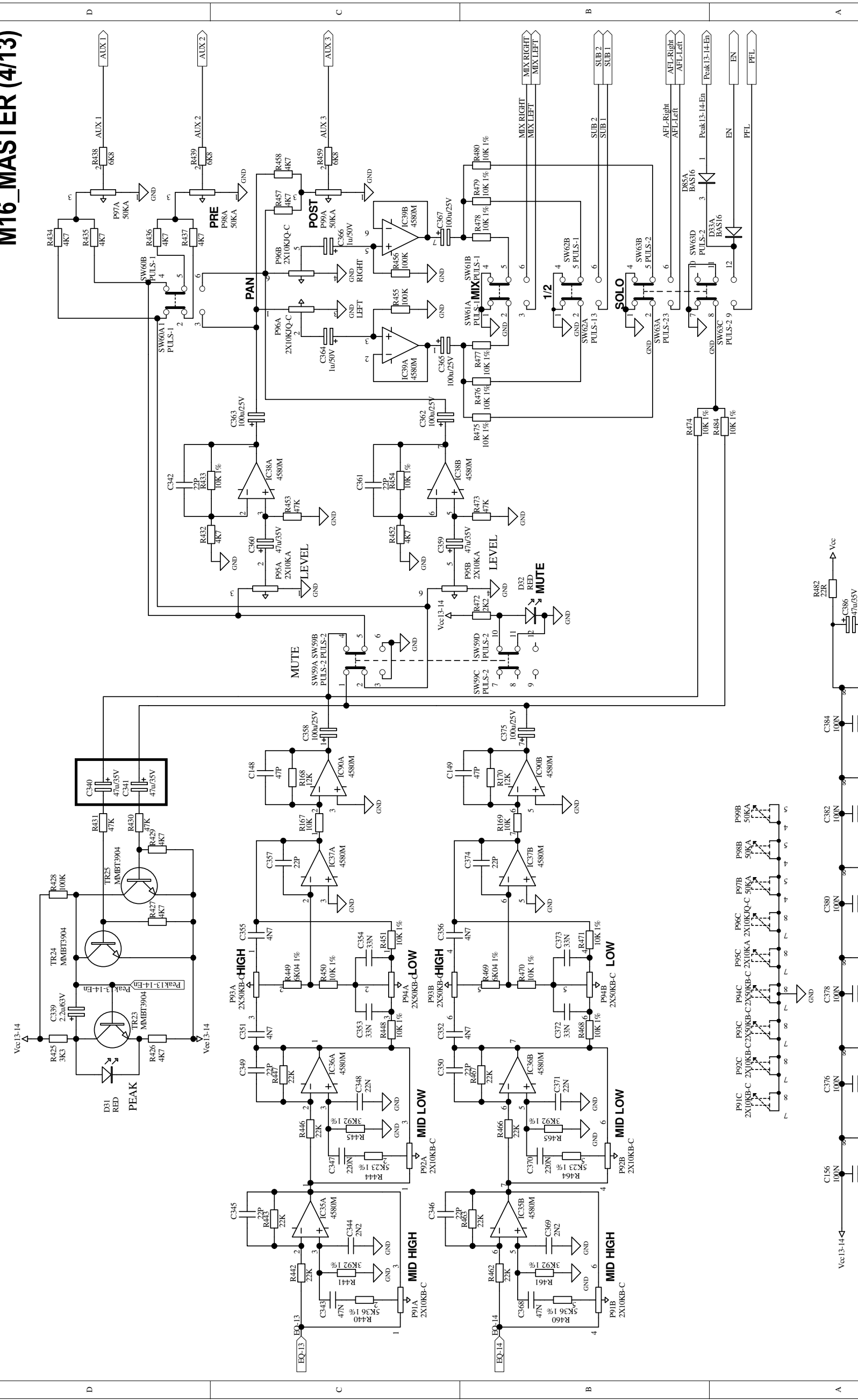
Size	A3
Model No:	M16
Revision	REV3.0
Sheet	3 of 13
Drawn By:	zheng li

Size	A3
Model No:	M16
Revision	REV3.0
Sheet	3 of 13
Drawn By:	zheng li

Size	A3
Model No:	M16
Revision	REV3.0
Sheet	3 of 13
Drawn By:	zheng li

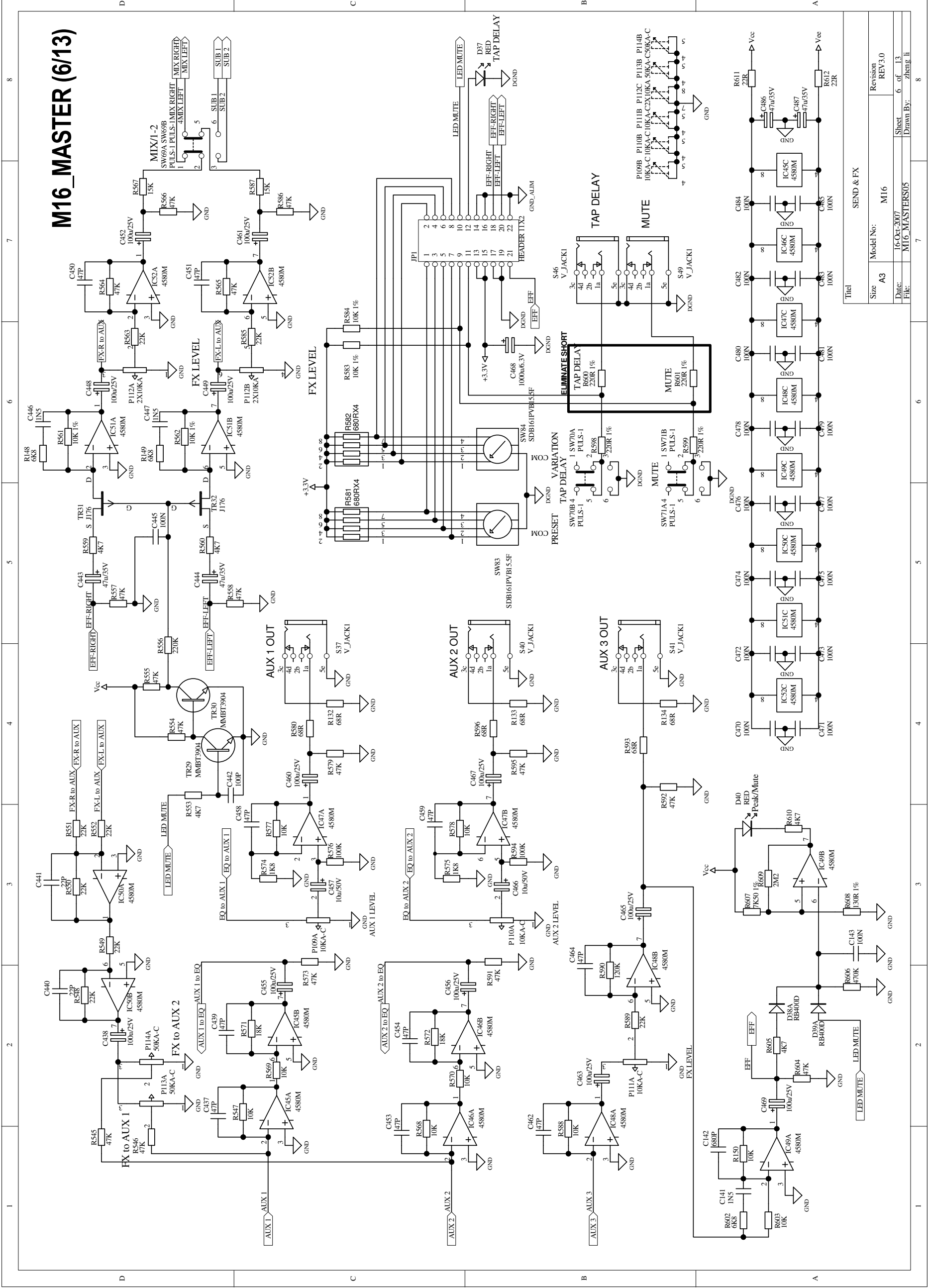
Size	A3
Model No:	M16
Revision	REV3.0
Sheet	3 of 13
Drawn By:	zheng li

M16_MASTER (4/13)



Title		STEREO-13/14	
Size	A3	Model No.	M16
Date:	16-Oct-2007	Sheet	4 of 13
File:	M16_MASTER.S03	Drawn By:	zheng li
Revision	REV3.0		

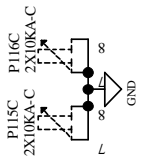
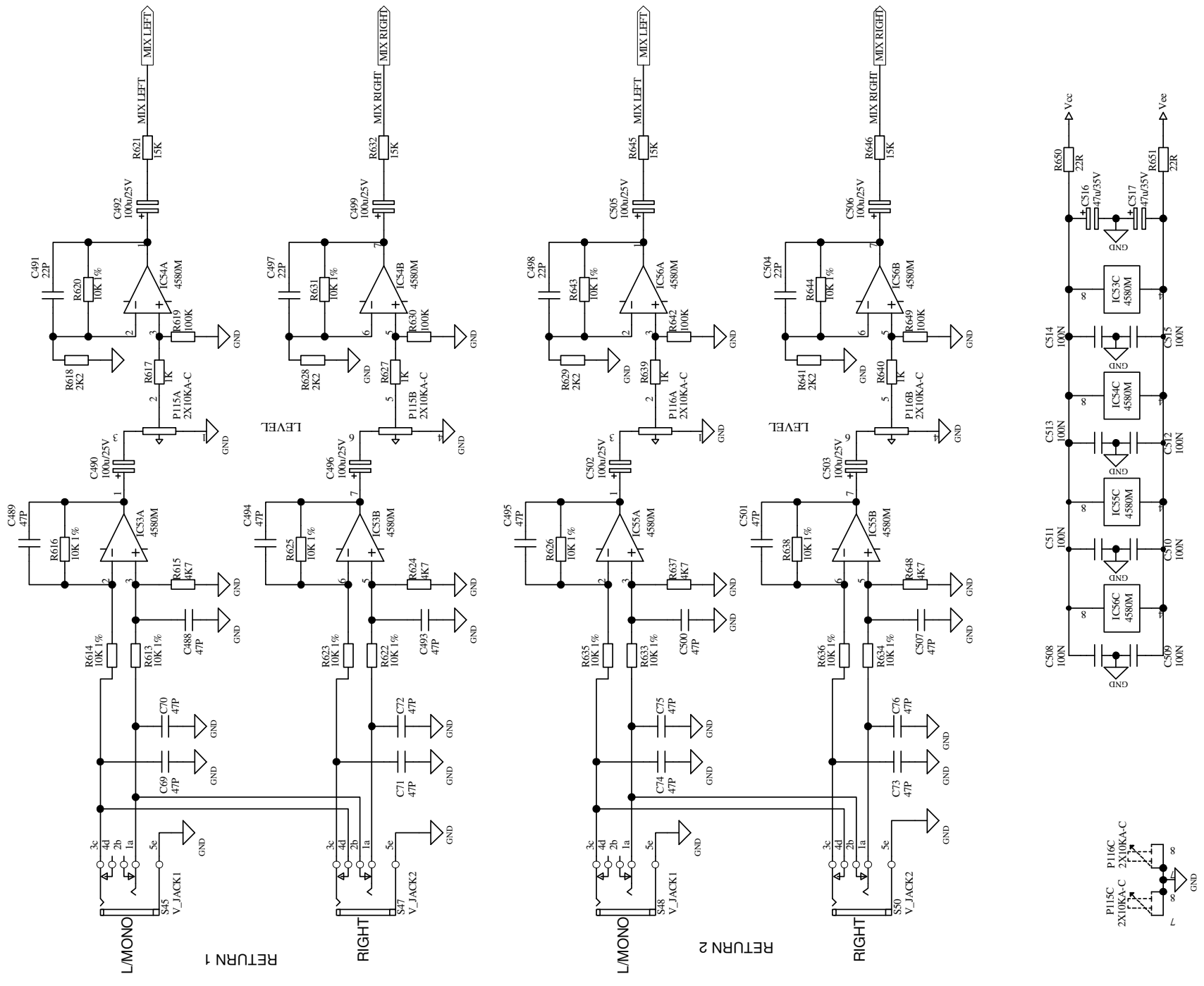
M16_MASTER (6/13)



Revision	REV3.0
Model No.	M16
Size	A3
Date:	16-Oct-2007
Sheet	6 of 13
File:	M16_MASTER.S05
Drawn By:	zheng.li

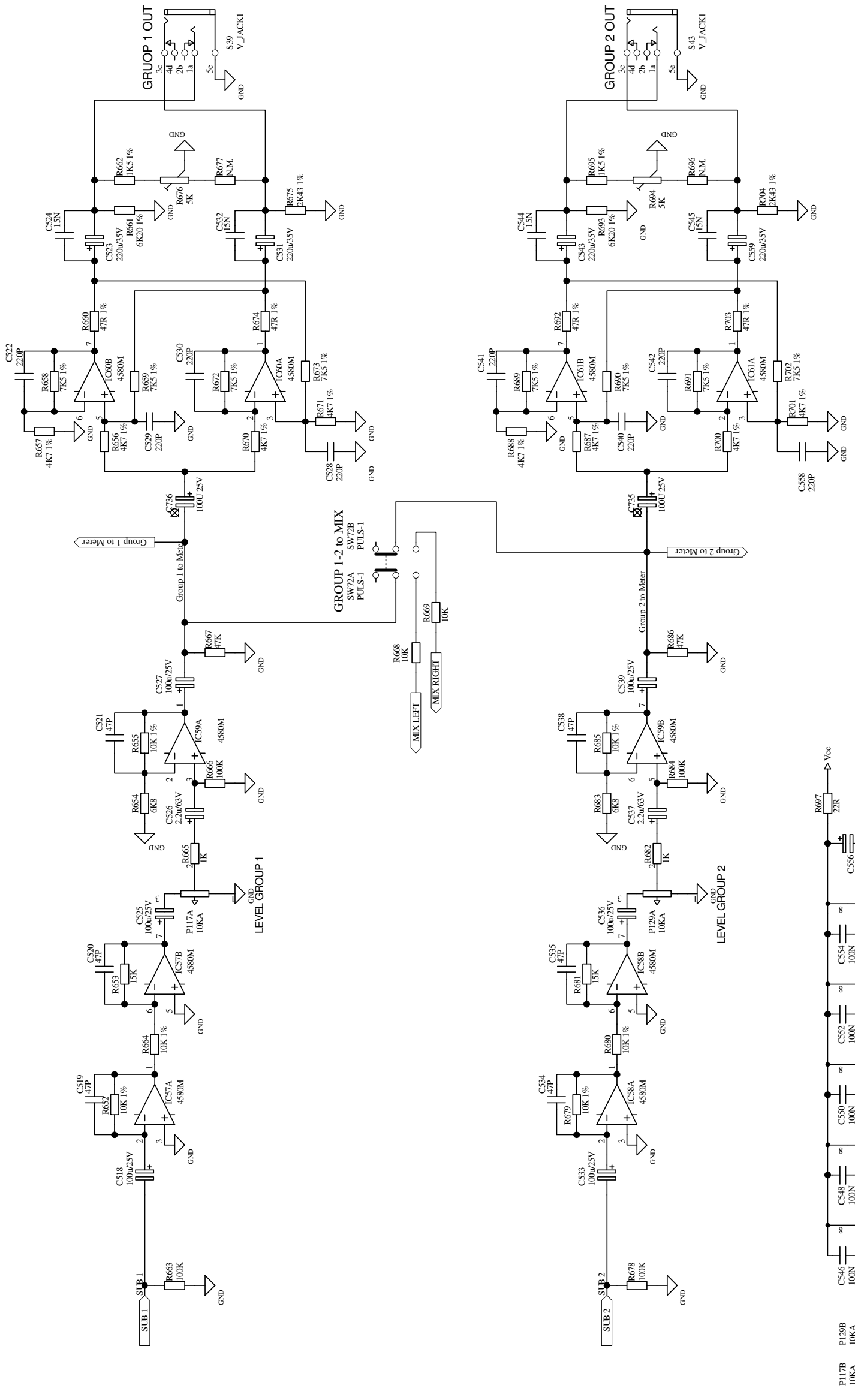
SEND & FX

M16_MASTER (7/13)



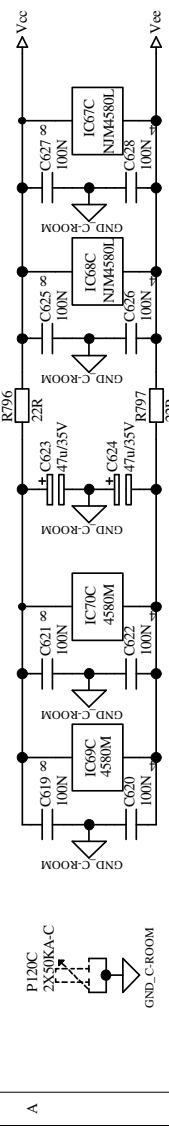
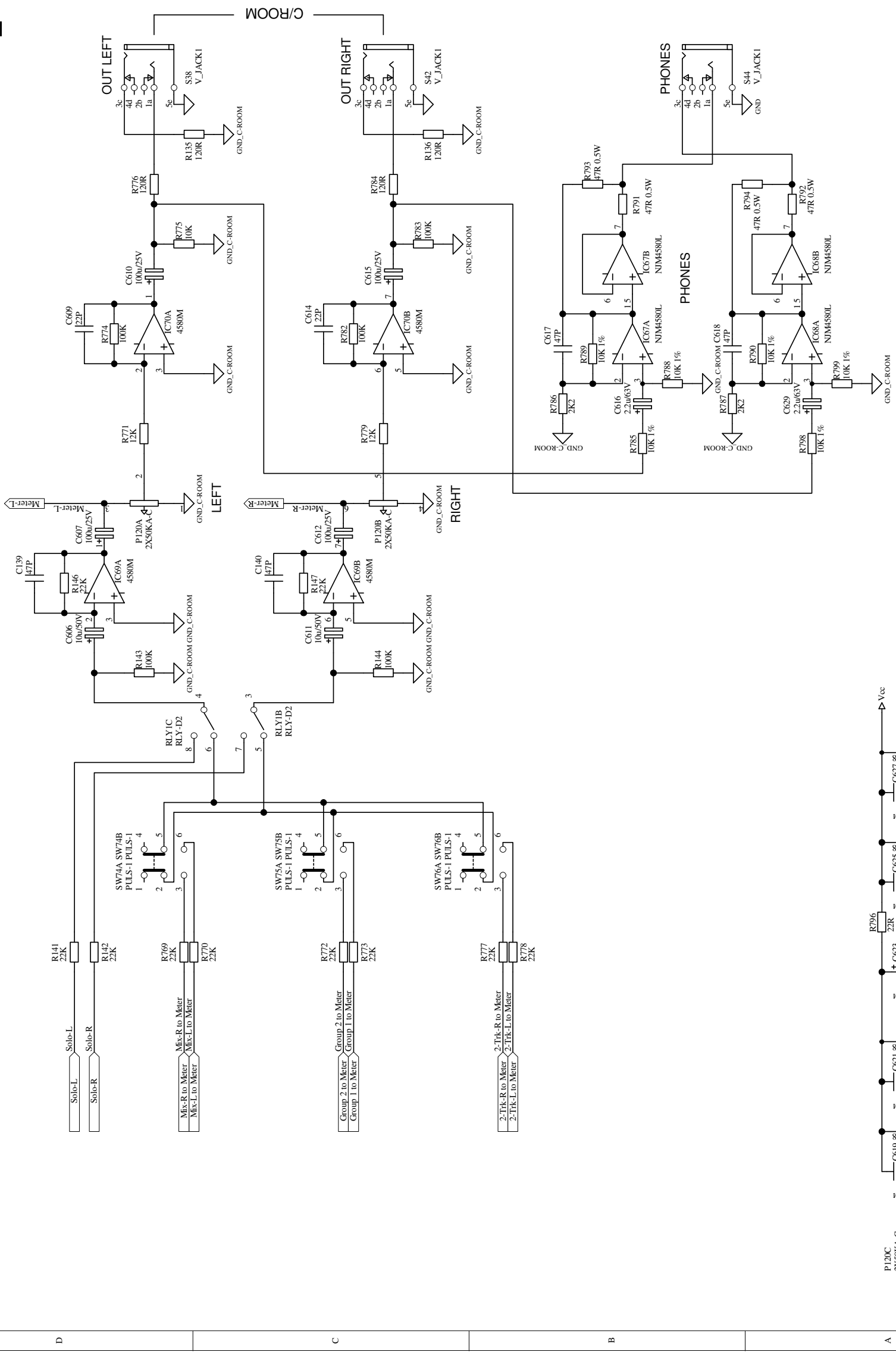
Title	RETURN		
Size	A3	Model No:	M16
Date:	16-Oct-2007	Revision	REV3.0
File:	M16_MASTER506	Sheet	7 of 13
		Drawn By:	zheng li

M16_MASTER (8/13)



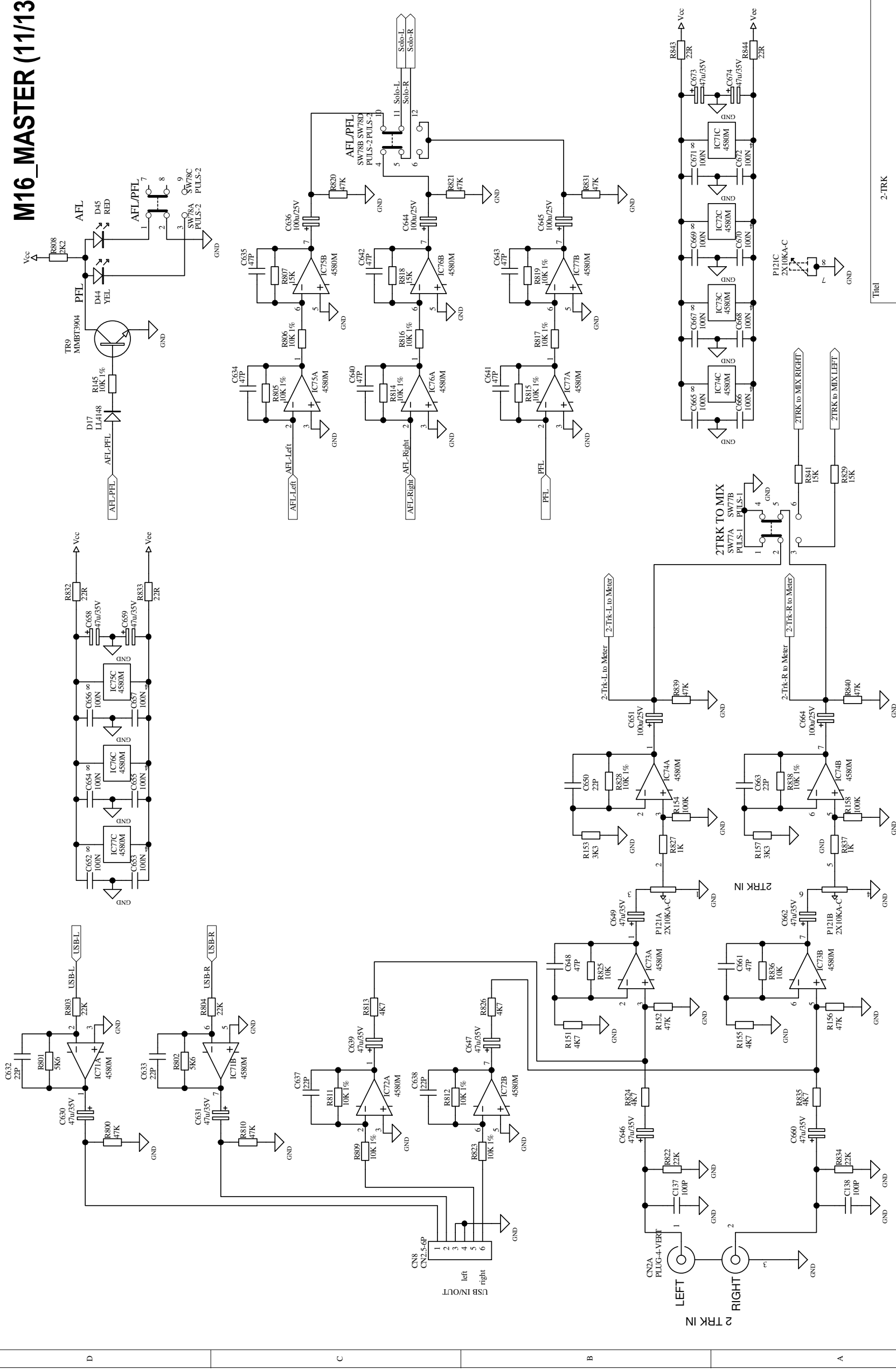
Title		GROUP-1/2	
Size	A3	Model No.	M16
Date:	16-Oct-2007	Sheet	8 of 13
File:	M16_MASTER.S07	Drawn By:	zheng li

M16_MASTER (10/13)



Title		CONTROL ROOM	
Size	A3	Model No.	M16
Date:	16-Oct-2007	Sheet	10 of 13
File:	M16_MASTER\$09	Drawn By:	zheng li

M16_MASTER (11/13)



Sheet	11 of 13
Date:	16-Oct-2007
File:	M16_MASTER\$10
Drawn By:	zheng li

Model No:	M16
Revision	REV3.0
Size	A3
Title	2-TRK

Sheet	11 of 13
Date:	16-Oct-2007
File:	M16_MASTER\$10
Drawn By:	zheng li

Model No:	M16
Revision	REV3.0
Size	A3
Title	2-TRK

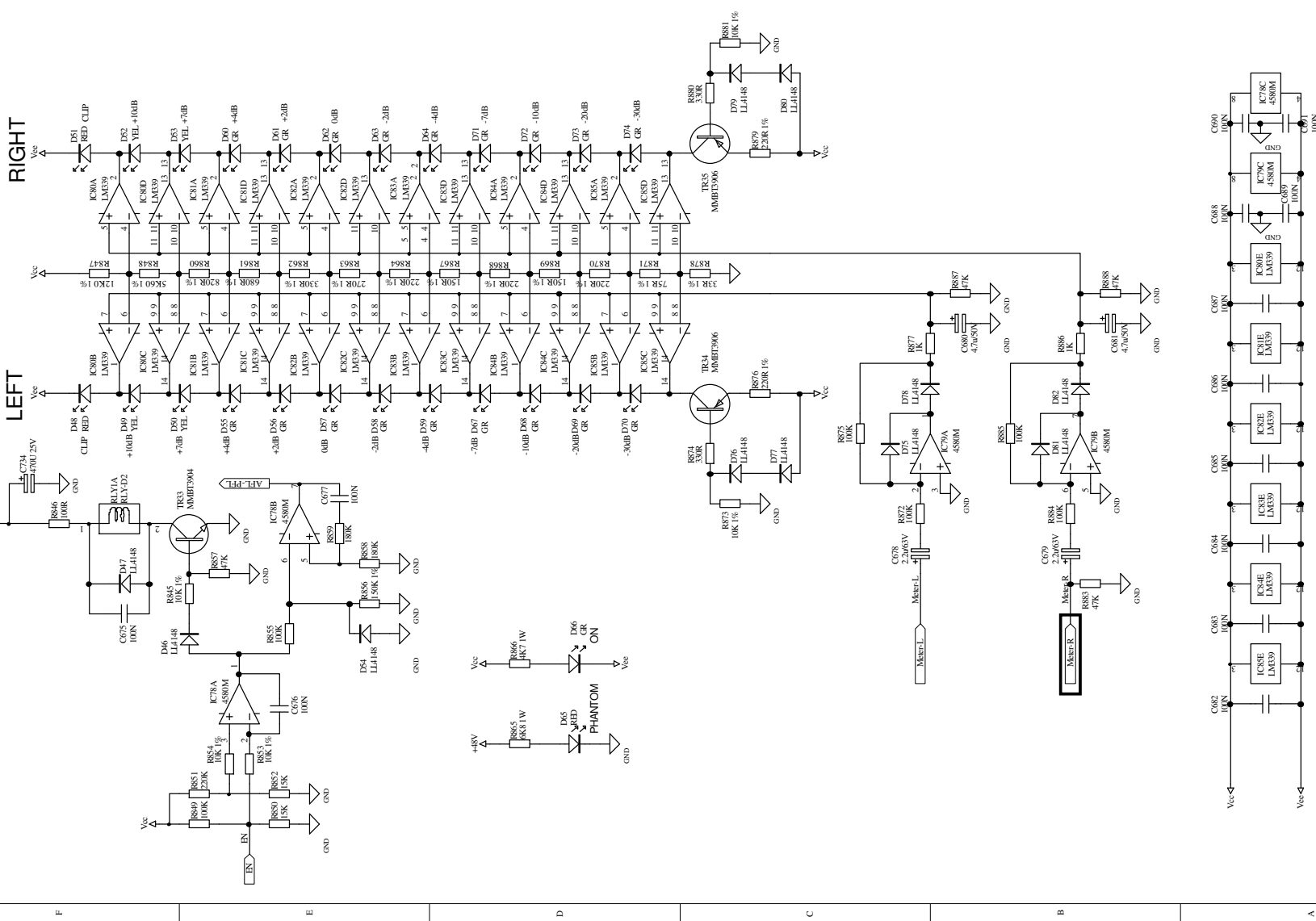
Sheet	11 of 13
Date:	16-Oct-2007
File:	M16_MASTER\$10
Drawn By:	zheng li

Model No:	M16
Revision	REV3.0
Size	A3
Title	2-TRK

Sheet	11 of 13
Date:	16-Oct-2007
File:	M16_MASTER\$10
Drawn By:	zheng li

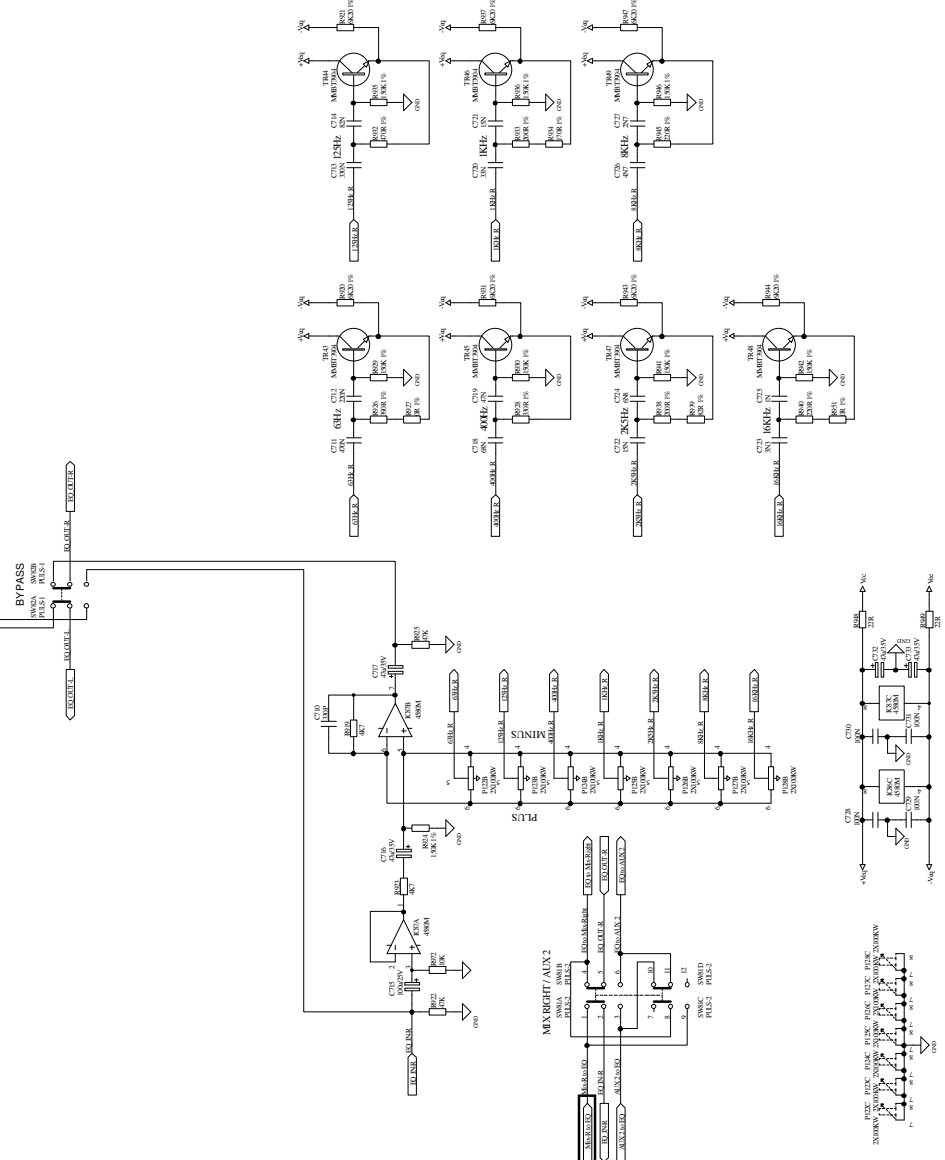
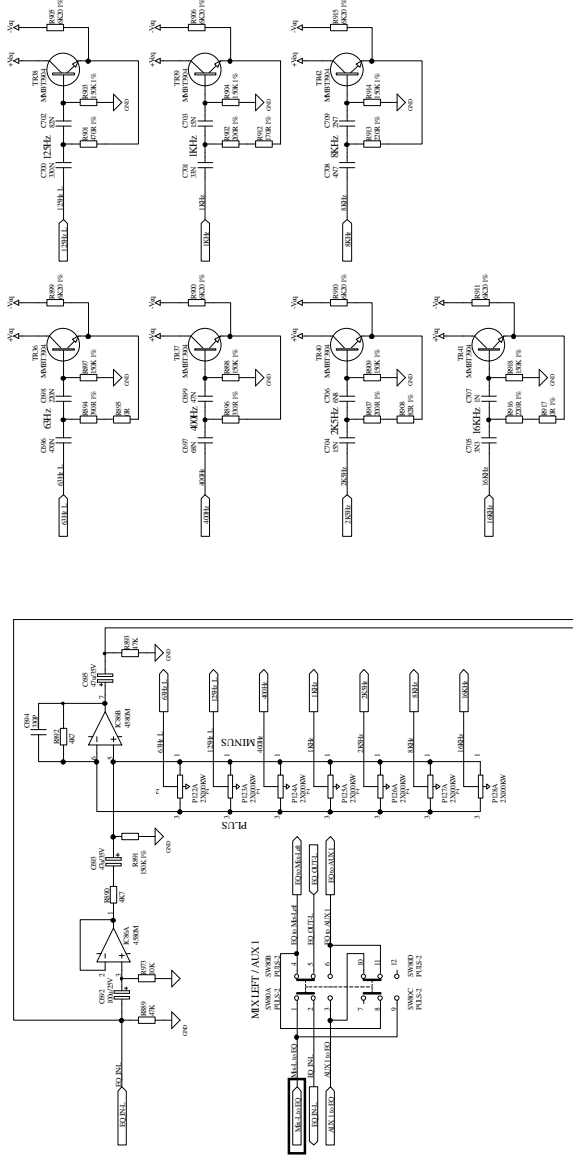
Model No:	M16
Revision	REV3.0
Size	A3
Title	2-TRK

M16_MASTER (12/13)



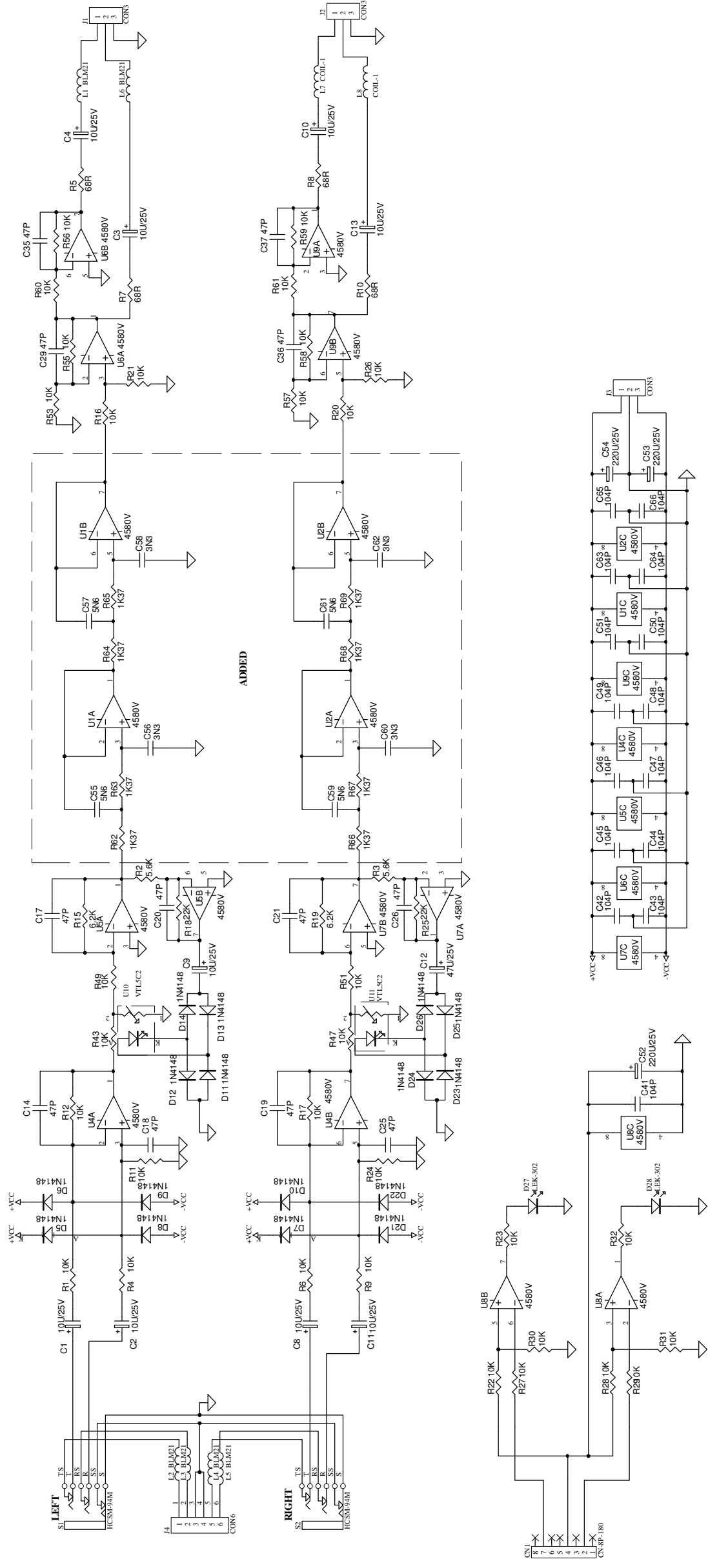
M16_MASTER (12/13)	
Size	A3
Model No.	M16
Rev.	REV3.0
Date:	16/03/2007
File:	M16_MASTER11
Drawn By:	zhong.li

M16_MASTER (13/13)



REV		DESCRIPTION	
REV	DATE	BY	CHKD
A1	10/20/00	M16	RSU0
B1C	10/20/00	M16	RSU0

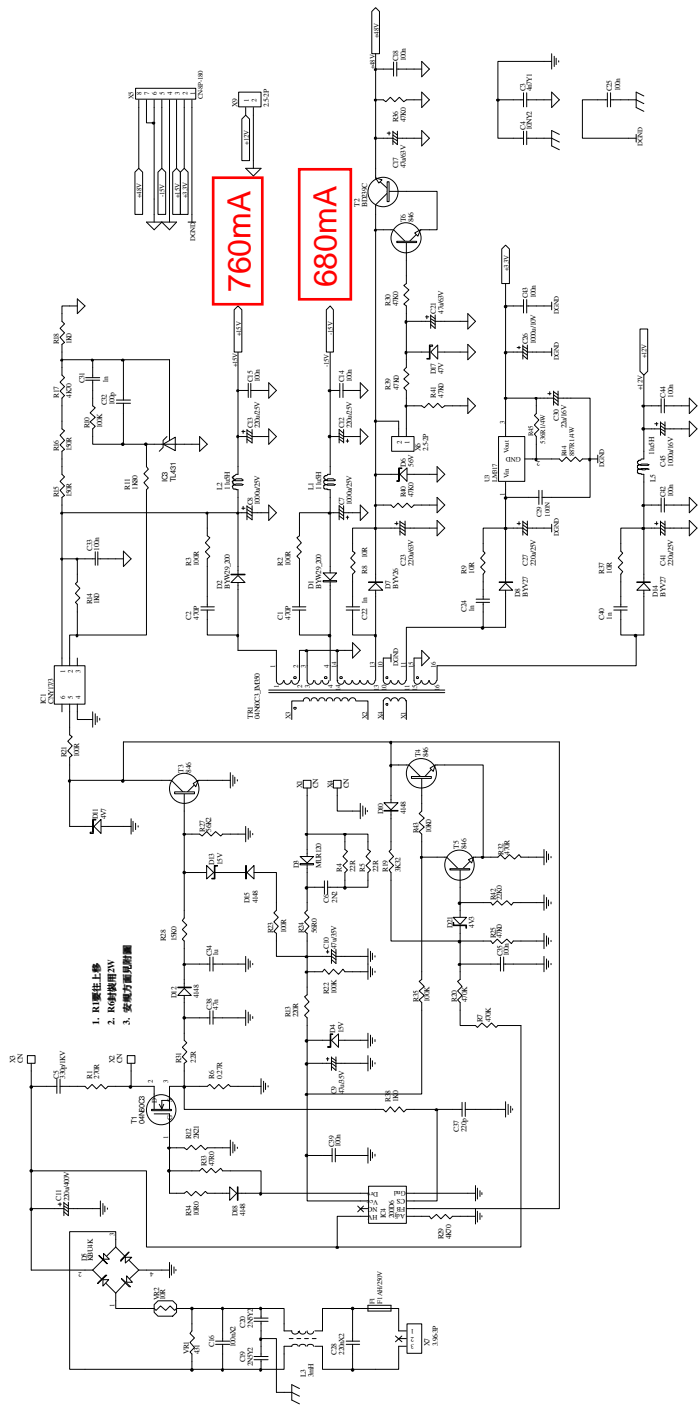
M1500_B_INPUT_(1/1)



Title		M15000_B_AMP INPUT SCH	
Size	Model No.	Revision	
A3	M15000	VER070908	
Date:	16-Oct-2007	Sheet	1 of 1
File:	AVSAMP_AMP15000BET1.DWG	Drawn By:	ZHENG LI

M.16 USB-PSM60Wc(1/1) VER070710

**SPP7N60C3
INSTALLED**



760mA

680mA

1. M1 座往上移
2. R6的標值改5V
3. 安裝功率場效管

FIG. No.	M.16 USB-PSM60Wc
Doc. No.	PSM60Wc
Rev.	2012.07.07
Ver.	PSM60Wc(1/1)
Drawn By	ZHANG LIT
Checked By	
Approved By	