

PROSONIC COMBO & HEAD

COMBO: p/n 021-1007-000 (120V)
HEAD: p/n 021-2007-000 (120V)

SERVICE MANUAL

PROSONIC
(This is the model name for warranty claims)

SERVICE MANUAL

AUGUST 1996

IMPORTANT NOTICE:

The information contained herein is CONFIDENTIAL and PROPRIETARY to Fender Musical Instruments Corp. It is disclosed solely for use by qualified technicians for purposes of equipment maintenance and service. It is not to be disclosed to others without the expressed permission of Fender Musical Instruments Co. All specifications subject to change without notice.

For warranty repair service, only Fender specified part numbers are to be used. It is recommended they also be used for post-warranty maintenance and repair.

Parts marked with an asterick (*) indicate the required use of that specific part. This is necessary for RELIABILITY and SAFETY requirements. **DO NOT USE A SUBSTITUTE!**

A coded naming convention is used in the description of certain parts. The codes and what they mean are as follows:

CAPACITOR CODES

CAP AE = Aluminum Electrolytic
CAP CA = Ceramic Axial
CAP CD = Ceramic Disk
CAP MPF = Metalized Polyester Film
CAP MY = Mylar
CAP PFF = Polyester Film/Foil

RESISTOR CODES

RES CC = Carbon Comp
RES CF = Carbon Film
RES FP = Flame Proof
RES MF = Metal Film
RES WW = Wire Wound

HARDWARE CODES

BLX = Black Oxide
CR = Chrome Plated
HWH = Hex Washer Head
M = Machine Screw
NI = Nickel Plated
OHP = Oval Head Phillips
PB = Particle Board
PHP = Pan Head Phillips
PHPS = Pan Head Phillips Sems
SMA = Sheet Metal "A" Point
SMB = Sheet Metal "B" Point
SS = Stainless Steel
TF = Thread Forming
ZI = Zinc Plated



CONTENTS:

- Notices
- Specifications
- Parts lists:
 - PCB assembly
 - Chassis assembly
 - Cabinet assembly
 - Footswitch assembly
 - Miscellaneous
- Schematics
- Service diagrams

SPECIFICATIONS

PARTS LIST

Type	CSR 13	
Input impedance:	1M ohm	
Power output:	Class AB2, Solid state rectifier -	60 W R.M.S.
	Class AB2, 5AR4/GZ34 rectifier -	50 W R.M.S.
	Class A, 5AR4/GZ34 rectifier -	30 W R.M.S.
	minimum into 8 or 16 ohms	
Output impedance:	8 or 16 ohms (Combo), 4, 8 or 16 ohms (Head).	
Dimensions:	Combo	Head
Height:	18.5 inches (47 cm)	9 inches (23 cm)
Width:	24 inches (61 cm)	24 inches (61 cm)
Depth:	10.5 inches (26.5 cm)	9.5 inches (24 cm)
Weight:	48 lbs. (22 kg)	42 lbs. (19 kg)

The following parts list contains information for the Prosonic Combo and the Prosonic Head. There are several mechanical and electrical / component differences between the combo and head. These are indicated in the QTY and REFERENCE DESIGNATION columns.

Unless otherwise specified, information within parenthesis refers to the Head version only.

Reference designators:	1-99	located on main PCB
	100-199	located on power supply PCB
	200-299	located on filter capacitor PCB
	300-399	located on chassis mounted parts (Jacks, tube sockets, etc).

PRINTED CIRCUIT BOARD ASSEMBLY

QTY	PART #	DESCRIPTION	REFERENCE DESIGNATION
4 (3)	026517	CAP AE AX 2.2µF 50V	C4,9,10,19 (C4,9,10)
1	049979	CAP AE AX 4.7µF 500V	C203
1	009512001	CAP AE AX 22µF 25V 20%	C18
2	041589	CAP AE AX 47µF 500V 20%	C204,205
3	026502	CAP AE AX 100µF 100V	C102,103,104
2	028953	CAP AE AX 100µF 350V+50%-10%	C201,202
1	018741	CAP AE AX 2200µF 50V	C101
1	004026	CAP CD 22PF 1000V 10%	C6
1	031780	CAP SLVR MICA 150PF 300V	C11
1	007029	CAP CD 220PF 1000V 10%	C24
1	016405	CAP CD 6.8PF 1000V 10%	C7
1	020917	CAP CD 250PF 1000V 10%	C21
1	020867	CAP CD 330PF 1000V 10%	C22
2	025995	CAP CD 8200PF 1KV 20%	C105,106
1 (3)	037666	CAP PFF .001µF 400V 10%	C2 (C2,3,23)
1	026202	CAP PFF .0022µF 600V	C20
1	025962	CAP PFF .0047µF 400V	C5
2 (1)	024824	CAP MPF RDL .01µF 630V 10%	C3,17 (C17)
4 (5)	024835	CAP MPF RDL .022µF 630V 10%	C1,23,13,14 (C1,13,14,26,27)
5 (3)	024845	CAP MPF RDL .047µF 400V 10%	C8,12,16,26,27 (C8,12,16)
1	024853	CAP MPF RDL .1µF 250V 10%	C25
1	024861	CAP MPF RDL .22µF 250V 10%	C15

PARTS LIST

PARTS LIST

**PRINTED CIRCUIT BOARD ASSEMBLY
CONTINUED**

**PRINTED CIRCUIT BOARD ASSEMBLY
CONTINUED**

QTY	PART #	DESCRIPTION	REFERENCE DESIGNATION
1	049966	CONTROL TRIM POT 5K LIN VERT	BIAS ADJUST
6	026730001	DIODE 1N4006 800V LL	D101-106
1	006260001	DIODE 1N4448 SIGNAL LL	D1
1	029690001	DIODE HV 3KV 200mA LL	D107
2	028119	DIODE ZEN 1N5353B 16V 5W 5%	ZR101,102
3	020888	JUMPER WIRE 22GA PVC .5X.175	
11	031523	JUMPER WIRE 24GA .4X.175	
1	049954	PCB FAB PROSONIC	
2	036613	RELAY DPDT DIP 24 VOLT 8.3mA	RLY1,2
2	026368	RES CF 1/2W 5% 100 OHM LL	R109,110
2	9901218221	RES CF 1/2W 5% 820 OHM LL	R35,44 (R15,44)
6 (3)	026549	RES CF 1/2W 5% 1.5K LL	R3,4,15,16,36,37 (R3,4,16)
1	036926001	RES CF 1/2W 5% 4.7K LL	R106
1	036955001	RES CF 1/2W 5% 6.8K LL	R104
1	041270001	RES CF 1/2W 5% 8.2K LL	R23
2 (1)	025113001	RES CF 1/2W 5% 10K LL	R9,32 (R9)
1	031068001	RES CF 1/2W 5% 12K LL	R19
2 (1)	048903001	RES CF 1/2W 5% 18K LL	R6,46 (R46)
1	025832001	RES CF 1/2W 5% 22K LL	R107
1	041278001	RES CF 1/2W 5% 39K LL	R39 (R6)
3 (2)	041271001	RES CF 1/2W 5% 47K LL	R24,26,38 (R24,26)
1	028857001	RES CF 1/2W 5% 68K LL	R105
1	025115	RES CF 1/2W 5% 82K LL	R7
(1)	048386	RES CF 1/2W 5% 120K LL	R18 (HEAD ONLY)
10 (9)	025117001	RES CF 1/2W 5% 220K LL	R2,8,20,31,33,40,47,50,201,202(40)
1	041279001	RES CF 1/2W 5% 270K LL	R12
2	039186001	RES CF 1/2W 5% 330K LL	R10,14
5	036957001	RES CF 1/2W 5% 470K LL	R11,21,34,42,205
7	9901251021	RES CF 1/2W 5% 1M LL	R13,22,25,28,29,43,45
2	028045001	RES FILM 1W 5% 220 OHM LL	R102,103
1	028030001	RES FILM 1W 5% 680 OHM LL	R27
1	028029001	RES FILM 1W 5% 1.5K LL	R101
1	027352001	RES FILM 1W 5% 91K LL	R49
7 (5)	027353001	RES FILM 1W 5% 100K LL	R1,5,17,18,30,41,48 (R1,5,17,30,48)

QTY	PART #	DESCRIPTION	REFERENCE DESIGNATION
1	041269	RES CF 2W 5% 1.2K LL	R203
1	041268	RES CF 2W 5% 10K LL	R204
1	049965	RES WW BT 15W 10% 220 OHM	R108
1	049962	SWITCH ROTARY 4 POLE 3 POS	SW304 RECTIFIER SWITCH
1	028503	THERMISTOR 10 OHM 5A C60-11	TH101

PARTS LIST

PARTS LIST

CHASSIS ASSEMBLY

**CHASSIS ASSEMBLY
CONTINUED**

QTY	PART #	DESCRIPTION	REFERENCE DESIGNATION
9	018022	BUSHING SNAP 5/16X17/32 BLK	
2	012560	BUSHING SNAP 5/8X27/32 BLK	
1	026038	BUSHING SR .625X.062X37/64 BLK	@ PWR CABLE 100V,120V,AUSTRALIA
1	010401	BUSHING SR .625X.125X37/64 WHT	@ PWR CBL 230V, UNITED KINGDOM
1	031105	CABLE ASSY PWR .187+.250 120V	POWER CABLE 120V USA
1	048464	CABLE ASSY PWR .187+.250 100V	POWER CABLE 100V JAPAN
1	041787	CABLE ASSY PWR .187+.250 230V	POWER CABLE 230V
1	038899	CABLE ASSY PWR AUST .187+.250	POWER CABLE AUSTRALIA
1	041786	CABLE ASSY PWR 5A UK .187+.250	POWER CABLE UNITED KINGDOM
1	025970	CAP CD 5PF 1000V 10%	C301 @ V1B
1	036486	CHOKE	L1
1	032219	COLLAR-PILOT LIGHT	
1	041265	CONTROL DUAL 50K LIN	P6 MIDDLE
7	041266	CONTROL DUAL 500K LIN	P1-5,7,8 ALL EXCEPT MIDDLE
1	037854	COVER CAPACITOR 65 TWIN	
2	029690	DIODE HV 3KV 200mA LL	D301,302 @ OUTPUT TUBES
1	036702	FUSE HOLDER 3AG FINGER GRIP	100V,120V ONLY
1	036703	FUSE HOLDER 5MM FINGER GRIP	230V, AUSTRALIA, UK
1	026559	FUSE TD 1-1/4X1/4 250V 3A	100V, 120V ONLY
1	013114	FUSE TD 20mmX5mm 250V 1.6A	230V, AUSTRALIA, UK
1	021741	HOLDER IDAL LITE ASSEMBLY PILOT	
1	020773	INSULATOR DUAL PHONO JACK	@ REVERB JACKS
1	041469	INSULATOR FILTERCAP PC	UNDER FILTERCAP PCB
1 (2)	021626	JACK PHONE 2/CD SOC L11 3/8"L	JK3 EFFECTS RETURN JK6 EXT.SPEAKER, HEAD ONLY
1	023760	JACK PHONE 3/CD DCC 14B	JK5 FTSWITCH, COMBO ONLY
4 (5)	068270	JACK PHONE TIP SHUNT L12A 3/8L	JK1,2,4,7 INPUTS 1,2, SPEAKER,- EFFECTS RETURN JK5 (FTSWITCH, HEAD ONLY)
1	041701	JACK PHONE TRANSFER 13A	JK6 EXT SPEAKER,COMBO ONLY
1	020772	JACK PHONO DUAL CHS MT	REVERB JACKS, COMBO ONLY
1	049998	JEWEL PILOT LITE GREEN #29	
9	036620	KNOB "CHICKEN HEAD" 1/4" SHAFT	

QTY	PART #	DESCRIPTION	REFERENCE DESIGNATION
1	016669	LED RED PNL MT SUPER BRITE	
1	031625	NUT HOLDER PILOT LIGHT 1/16-27	
4	022004	NUT KEPS #8-32 ZINC	OUTPUT XFMR MOUNT
4	025819	NUT KEPS 10-32 ZINC	POWER XFMR MOUNT
1	050263	PANEL FRONT PROSONIC COMBO	
1	049289	PANEL FRONT PROSONIC HEAD	
1	050264	PANEL REAR PROSONIC COMBO	
1	049330	PANEL REAR PROSONIC HEAD	
1	021642	PILOT LIGHT #T47	
2	026438	PLUG BUTTON .437" BLK	
1	025113001	RES CF 1/2W 5% 10K LL	R304 @ REVERB RETURN RCA- JACK, COMBO ONLY
2	041271001	RES CF 1/2W 5% 47K LL	R301,302 @ INPUTS JK1,2
1	9901251021	RES CF 1/2W 5% 1 MEG LL	R303 @JK2
2	036468	RES MOX FP 1W 470 OHM LL	R305,306 @ TUBE SOCKETS
2	014172	SCREW M 4-40X1/4 PHP BLX	NORMAL/DRIVE SWITCH MOUNT
4	026553	SCRW M 8-32X3/8 PHP BLX	OUTPUT XFMR MOUNT
4	025743	SCRW M 10-32X1/2 PHP BLX	POWER XFMR MOUNT
1	032806	SCRW TF 6-32X1/4 PHP BLX	REAR PANEL MOUNT
2	031184	SCRW M 6-32X1/4 PHPS BLX ITLW	(@ IMPEDANCE SELECT SWITCH)
28	038900	SCRW TF 6-32X1/4 PHP ZI	@ SOCKETS,COVERS,ETC
4	032908	SCRW TF 6-32X3/8 PHP ZI	
6	037353	SCRW TF 6-32X3/4 PHP ZI	PCB TO CHASSIS MOUNT
6	047040	STANDOFF NYLON PCB SNAPIN 1/2"	PCB MOUNT
2	041349	STRIP 5 TERMINAL .375 C-C	
1	026472	SWITCH SLIDE DPTT	SW4 (IMPEDANCE SELECT)
1	037835	SWITCH SLIDE SPST	SW303 NORMAL/DRIVE SELECT
2	036570	SWITCH TOGGLE DPST W/NUTS	SW301,302 POWER/STANDBY
5 (4)	013341	TUBE 7025/12AX7WA RUSSIAN MADE	V1,2,3,5,6 (COMBO) V1,2,3,4 (HEAD)
1 (0)	023531	TUBE 12AT7	V4 (COMBO ONLY)
1	041400	TUBE 5AR4 FULLWAVE RECTIFIER	V9 (COMBO), V7 (HEAD)
2	039214	TUBE 5881/6L6WGC VACUUM	V7,8 (COMBO), V5,6 (HEAD)
3	020424	TUBE RING UNIVERSAL (277H-2)	@ POWER/RECTIFIER TUBES

PARTS LIST

PARTS LIST

**CHASSIS ASSEMBLY
CONTINUED**

CABINET ASSEMBLY

QTY	PART #	DESCRIPTION	REFERENCE DESIGNATION
3	023580	TUBE SOCKET 8 PIN	XV7,8,9 (COMBO), XV5,6,7 (HEAD)
6	041267	TUBE SOCKET 9 PIN PORCEL W/SHLD	
2	9904300920	WSHR FLAT .473X.750 NI	
8	024049	WSHR LCK INTL 5/16X.600X.03 ZI	
4	016436	WSHR LCK INTL 3/8X.687X.035 NI	
6	026401	WSHR SHLDR FIBER 3/8X5/8	@ JK3,4,5, EFF LOOP, FTSW
1	049009	XFMR OUTPUT PROSONIC	
1	049110	XFMR POWER PROSONIC ALL VOLTS	T1
1	037099	XFMR REVERB VIBROVERB	

QTY	PART #	DESCRIPTION	REFERENCE DESIGNATION
1	047614	CAB ASSY PROSONIC BLACK	COMBO
1	047517	CAB ASSY PROSONIC RED	COMBO
1	047613	CAB ASSY PROSONIC GREEN	COMBO
1	050295	CAB ASSY TONE-MASTER BLACK	HEAD
1	049571	CAB ASSY TONE-MASTER RED	HEAD
1	049660	CAB ASSY TONE-MASTER GREEN	HEAD
1	047614030	BACK ASSY LOWER PROSONIC BLK	BACKBOARD
1	047517030	BACK ASSY LOWER PROSONIC RED	BACKBOARD
1	047613030	BACK ASSY LOWER PROSONIC GRN	BACKBOARD
1	047614020	BACK ASSY UPPER PROSONIC BLK	BACKBOARD
1	047517020	BACK ASSY UPPER PROSONIC RED	BACKBOARD
1	047613020	BACK ASSY UPPER PROSONIC GRN	BACKBOARD
1	038566	CABLE ASSY SPKR RT ANG 13-1/2"	SPEAKER CABLE,COMBO ONLY
2	022491	CABLE CLAMP NYL SCRW MNT 5/16	
1	025722	CABLE REVERB 1100mm	
.6SY	037788	CLOTH GRILLE BLACK/SILVER	ALL COMBO'S & BLACK HEAD
4	024695	CORNER 2 HOLE W/TAB NI CSK	COMBO ONLY
4	026566	CORNER 2 HOLE W/TAB NI	HEAD ONLY
4	019276	GLIDE CAB 1.24X.335 NI	COMBO ONLY, NO INSERT
4	024653	GLIDE CABINET NICKEL PLATED	STEEL,NO INSERT,HEAD ONLY
1	049571010	GRILLE ASSY BLACK	HEAD, RED & GREEN ONLY
1	050295010	GRILLE ASSY SLVR/BLK	USED ON BLACK HEAD ONLY
1	047517010	GRILLE/BAFFLE ASSY PROSONIC	ALL COMBOS
1	049094	HANDLE MOLDED BLACK	HEAD ONLY
1	037790	HANDLE 9.25" BLACK RIBBED	COMBO ONLY
2	025395	HANDLE CAP 1 HOLE NI	HANDLE MOUNT,COMBO ONLY
4	019275	INSERT GLIDE CUSHION 1.27 DIA	RUBBER ONLY,COMBO ONLY
4	022483	INSERT GLIDE CUSHION 1.02 DIA.	RUBBER ONLY,HEAD ONLY
1	032524	INSERT HANDLE	SPRING STEEL,COMBO ONLY
1	023192	NAMEPLATE FENDER 65 TWIN	COMBO ONLY
1	047600	NAMEPLATE LOGO BLACK	HEAD ONLY
4	064162	NUT T 8-32X1/2 STR 3 PRNG BLX	HANDLE MOUNT,HEAD ONLY
10	021972	NUT T 10-32X3/4 STR 3 PRNG BLX	SPEAKER/HANDLE MNT,COMBO
1	028453	PAD CARDBOARD REVERB	@ REVERB PAN

PARTS LIST

**CABINET ASSEMBLY
CONTINUED**

QTY	PART #	DESCRIPTION	REFERENCE DESIGNATION
1	040934	PANEL METAL PERFORATED	REAR GRILLE,HEAD ONLY
1	031849	REVERB BAG	
1	064063	REVERB UNIT 4 SPRING 4AB3C1B	PAN
3	037985	SCRW SMA 2X3/8 PHP BLX	LOGO MOUNT,COMBO ONLY
4	037210	SCRW SMA 2X3/8 OHP NI	LOGO MOUNT,HEAD ONLY
4	017439	SCRW SMA 6X1/2 PHP BLX	BACK PANEL MNT,HEAD ONLY
8	037952	SCRW SMA #6X1 OHP NI	
2	015636	SCRW SMA 8X1-3/4 OHP NI	
4	036112	SCRW SMAB 6X1-1/4 OHP BLX W/WS	GRILLE MOUNT,HEAD ONLY
4	026571	SCRW SMAB 8X5/8 THP NI	HEAD ONLY
4	037543	SCRW SMAB 8X3/4 OHP NI	CORNER MOUNT
7	026800	SCRW SMAB 8X1-3/4 OHP BLX	GRILLE/BAFFLE MNT,COMBO
4	037247	SCRW 8-32X1 OHP NI	HANDLE MOUNT,HEAD ONLY
4	022236	SCRW M 8-32X3-1/4 OHP NI CONE	CHASSIS MOUNT
8	047821	SCRW M 10-32X3/4 THP STL BLX	SPEAKER MOUNT,COMBO ONLY
2	022244	SCRW M 10-32X1-1/8 OHP NI	HANDLE MOUNT,COMBO ONLY
7	029828	SCRW PB 8X3/4 PHP ZI	REVERB PAN,CABLE CLAMP MT
4	026625	SCRW WOOD 8X1 FH	GLIDE MOUNT
2	049651	SPEAKER 10" 8 OHM 60W PROSONIC	COMBO ONLY
2	024752	STRAP CHASSIS 4-1/2" NICKEL	CHASSIS MOUNT
8	037215	WSHR C'SNK #6 NI	BACKBOARD MOUNT, COMBO
7	029527	WSHR FNSH 8-5/8 FLNGD BLX WX	GRILLE/BAFFLE MNT,COMBO
2	026459	WSHR FLAT 6X3/8 ZI	
2	022327	WSHR FLAT 8X7/16 NI	

PARTS LIST

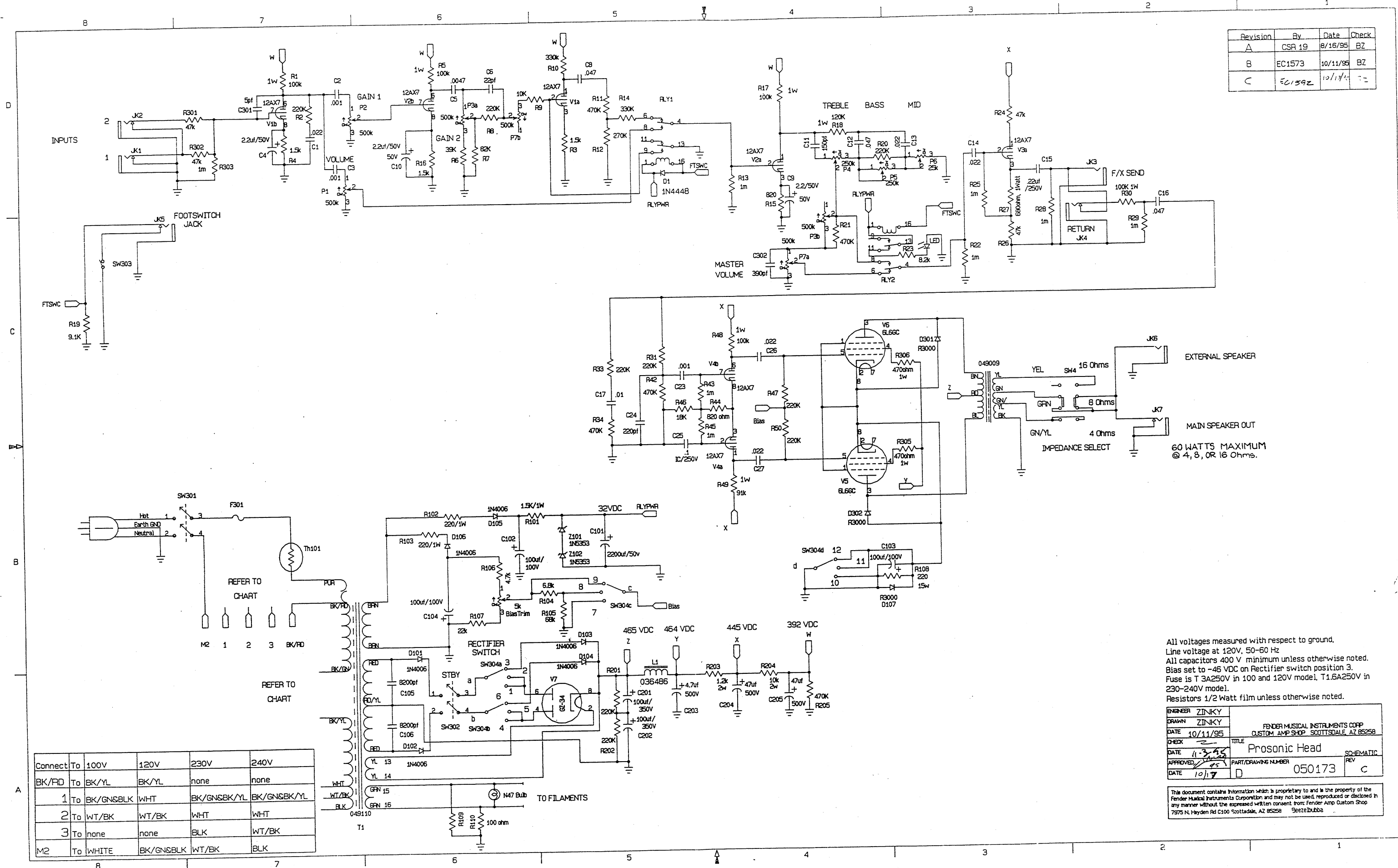
FOOTSWITCH ASSEMBLY

QTY	PART #	DESCRIPTION	REFERENCE DESIGNATION
1	050022	FOOTSWITCH 2BTN CHA/REV	COMPLETE, COMBO ONLY
1	041228	FOOTSWITCH 1 BTTN VIN STYLE	COMPLETE, HEAD ONLY
1	021691	BUSHING SR .500X.100X7/16 BLK	STRAIN RELIEF
1	022665	COVER CUP DUAL FTSW ASSY	USED ON 2 BUTTON FOOTSWITCH
1	022657	COVER CUP 1 BTTN FT. SW. ASSY	USED ON 1 BUTTON FOOTSWITCH
1	013172	PLUG PHONE 3 CONDUCTOR 238 RA	2 BUTTON, COMBO
1	028915	PLUG PHONE RTANG SHIELDED	1 BUTTON, HEAD
2 (1)	024042	SWITCH SPST PUSH BUTTON	
2	022293	WSHR FLAT .473X.750 NI	2 BUTTON FTSW ONLY

MISCELLANEOUS

QTY	PART #	DESCRIPTION	REFERENCE DESIGNATION
	049991	MANUAL OWNERS PROSONIC	

Revision	By	Date	Check
A	CSR 19	8/16/95	BZ
B	EC1573	10/11/95	BZ
C	EC1592	10/17/95	-



Connect	To	100V	120V	230V	240V
BK/RD	To	BK/YL	BK/YL	none	none
1	To	BK/GNSBLK	WHT	BK/GNSBK/YL	BK/GNSBK/YL
2	To	WT/BK	WT/BK	WHT	WHT
3	To	none	none	BLK	WT/BK
M2	To	WHITE	BK/GNSBLK	WT/BK	BLK

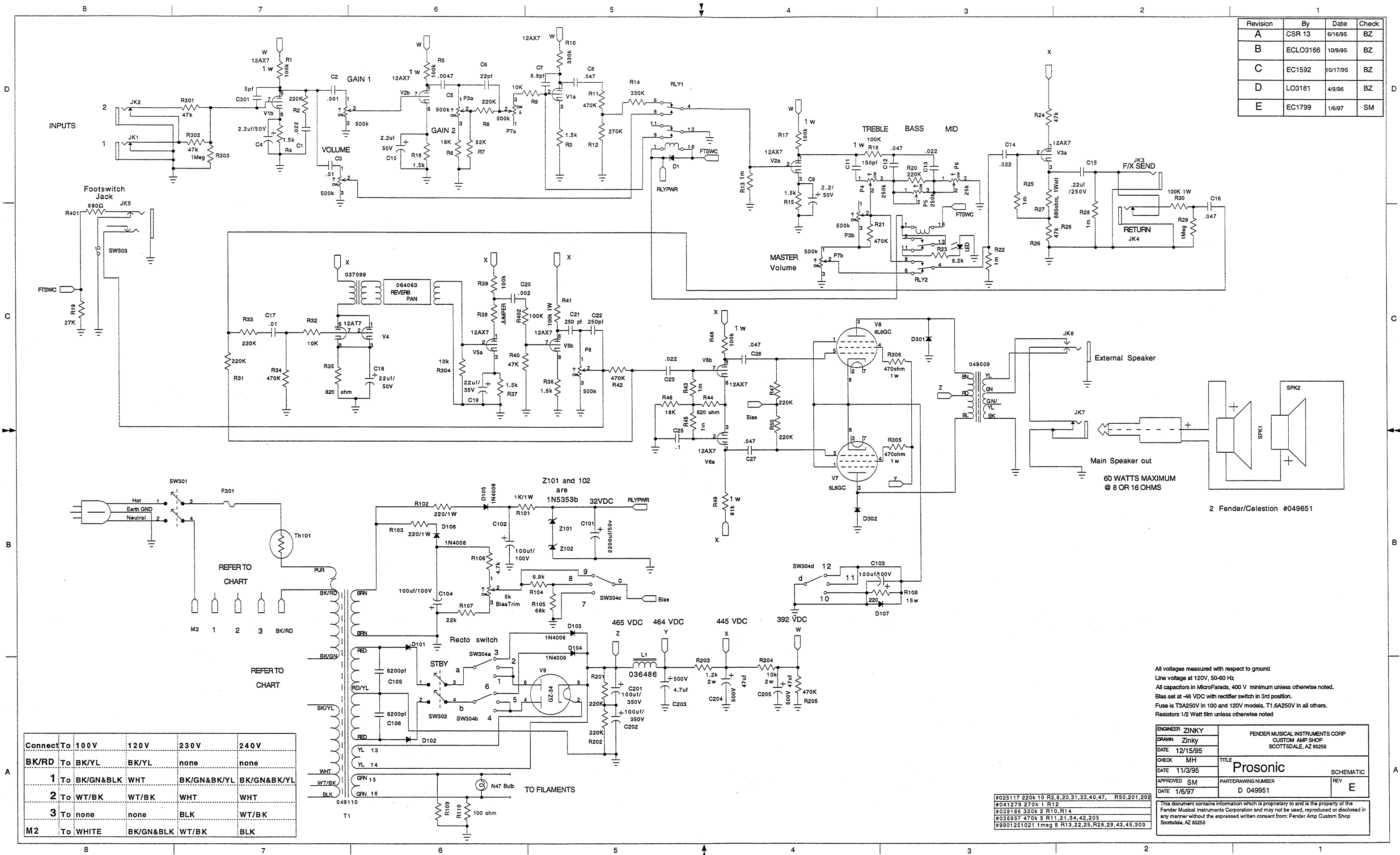
All voltages measured with respect to ground.
 Line voltage at 120V, 50-60 Hz
 All capacitors 400 V minimum unless otherwise noted.
 Bias set to -45 VDC on Rectifier switch position 3.
 Fuse is T 3A250V in 100 and 120V model, T1.6A250V in 230-240V model.
 Resistors 1/2 Watt film unless otherwise noted.

ENGINEER	ZINKY	FENDER MUSICAL INSTRUMENTS CORP CUSTOM AMP SHOP SCOTTSDALE, AZ 85258
DRAWN	ZINKY	
DATE	10/11/95	TITLE
DATE	11-3-95	PROSONIC HEAD
APPROVED	[Signature]	PART/DRAWING NUMBER
DATE	10/17	050173
		REV
		C

This document contains information which is proprietary to and is the property of the Fender Musical Instruments Corporation and may not be used, reproduced or disclosed in any manner without the expressed written consent from Fender Amp Custom Shop 7975 N. Hayden Rd C100 Scottsdale, AZ 85258

0050174000

Revision	By	Date	Check
A	CSR 13	6/16/95	BZ
B	ECLO3166	10/9/95	BZ
C	EC1592	10/17/95	BZ
D	LO3181	4/9/96	BZ
E	EC1799	1/6/97	SM



Connect To	100V	120V	230V	240V
BK/RD	To BK/YL	BK/YL	none	none
1	To BK/GN&BLK	WHT	BK/GN&BK/YL	BK/GN&BK/YL
2	To WT/BK	WT/BK	WHT	WHT
3	To none	none	BLK	WT/BK
M2	To WHITE	BK/GN&BLK	WT/BK	BLK

All voltages measured with respect to ground
 Line voltage at 120V, 50-60 Hz
 All capacitors in MicroFarads, 400 V minimum unless otherwise noted.
 Bias set at -46 VDC with rectifier switch in 3rd position.
 Fuse is T3A250V in 100 and 120V models, T1.6A250V in all others.
 Resistors 1/2 Watt film unless otherwise noted

ENGINEER ZINKY	FENDER MUSICAL INSTRUMENTS CORP	
DRAWN Zinky	CUSTOM AMP SHOP	
DATE 12/15/95	SCOTTSDALE, AZ 85258	
CHECK MH	TITLE	SCHEMATIC
DATE 11/3/95	Prosonic	
APPROVED SM	PART/DRAWING NUMBER	REV
DATE 1/6/97	D 049951	E

This document contains information which is proprietary to and is the property of the Fender Musical Instruments Corporation and may not be used, reproduced or disclosed in any manner without the expressed written consent from: Fender Amp Custom Shop Scottsdale, AZ 85258

#025117 220k 10 R2, 8.2k, 31, 33, 40, 47, R50, 201, 202
 #041279 270k 1 R12
 #039186 330k 2 R10, R14
 #038957 470k 5 R11, 21, 34, 42, 205
 #9901251021 1meg 8 R13, 22, 25, R28, 29, 43, 45, 303