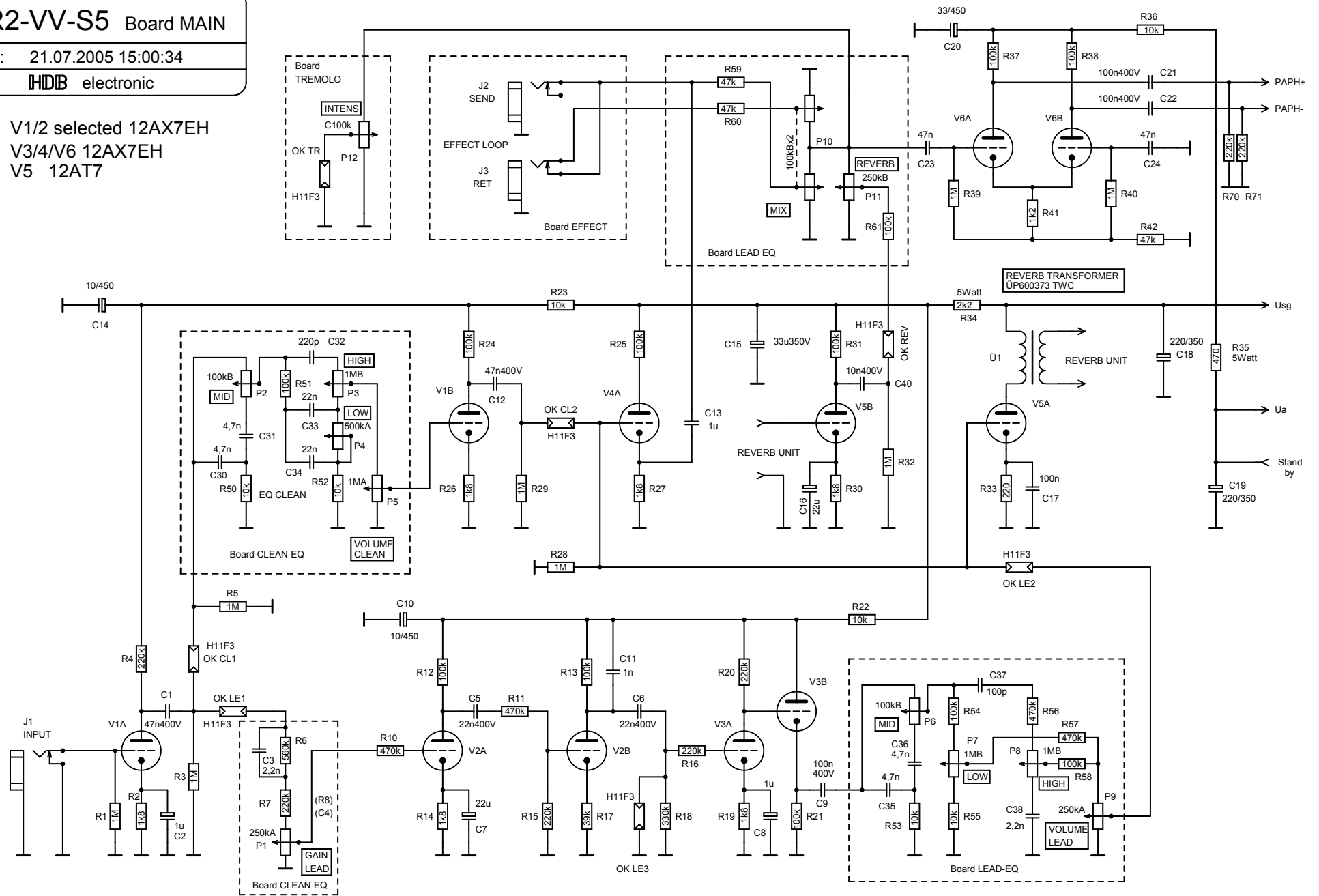


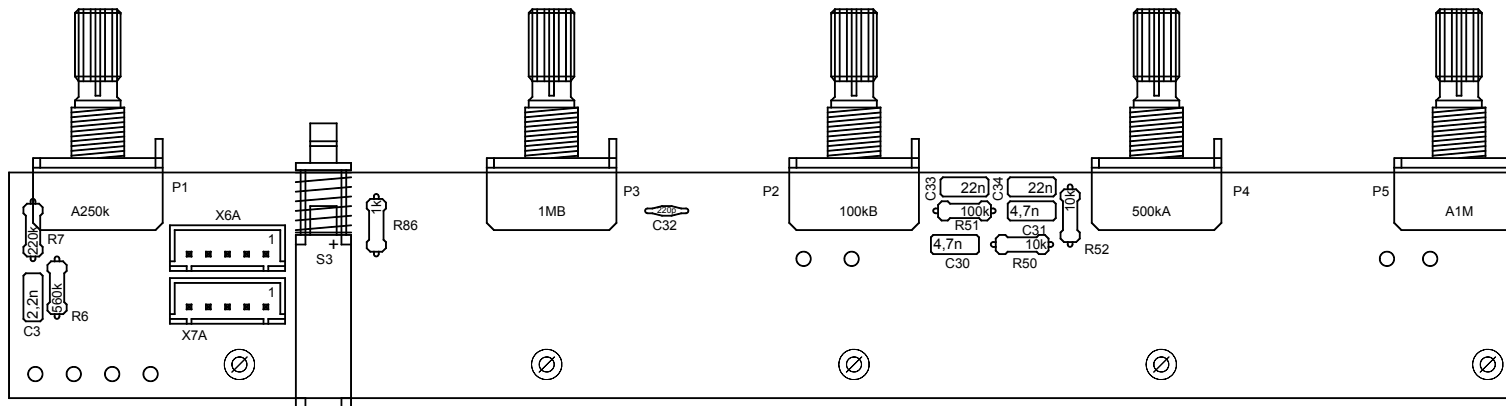
RR2-VV-S5 Board MAIN

Date: 21.07.2005 15:00:34

HDB electronic

V1/2 selected 12AX7EH
V3/4/V6 12AX7EH
V5 12AT7

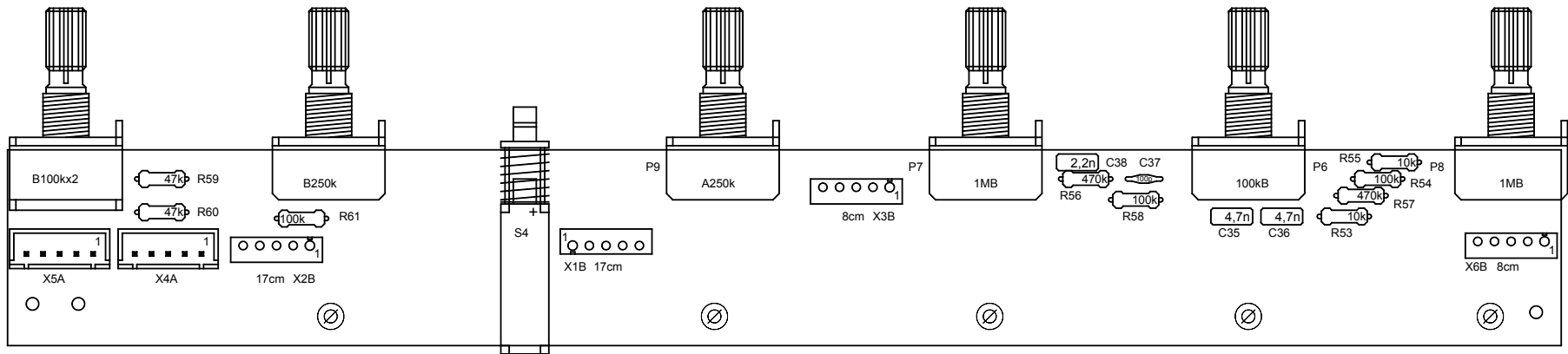




RR2-CLEAN-B5

Draw: 21.07.2005 12:35:42

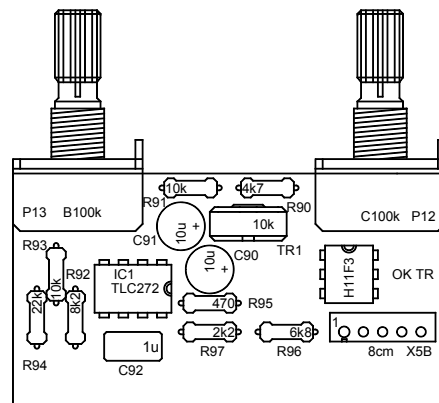
HDB electronic



RR2-LEAD-B5

Draw: 21.07.2005 12:36:08

HDB electronic



RR2-TREMOLO-B5

Draw: 21.07.2005 10:33:12

HDB electronic

RR2-PA-S5

PA/NT

Date: 27.07.2005 12:14:05

V7 GZ34
V8-12 EL84

HDB electronic

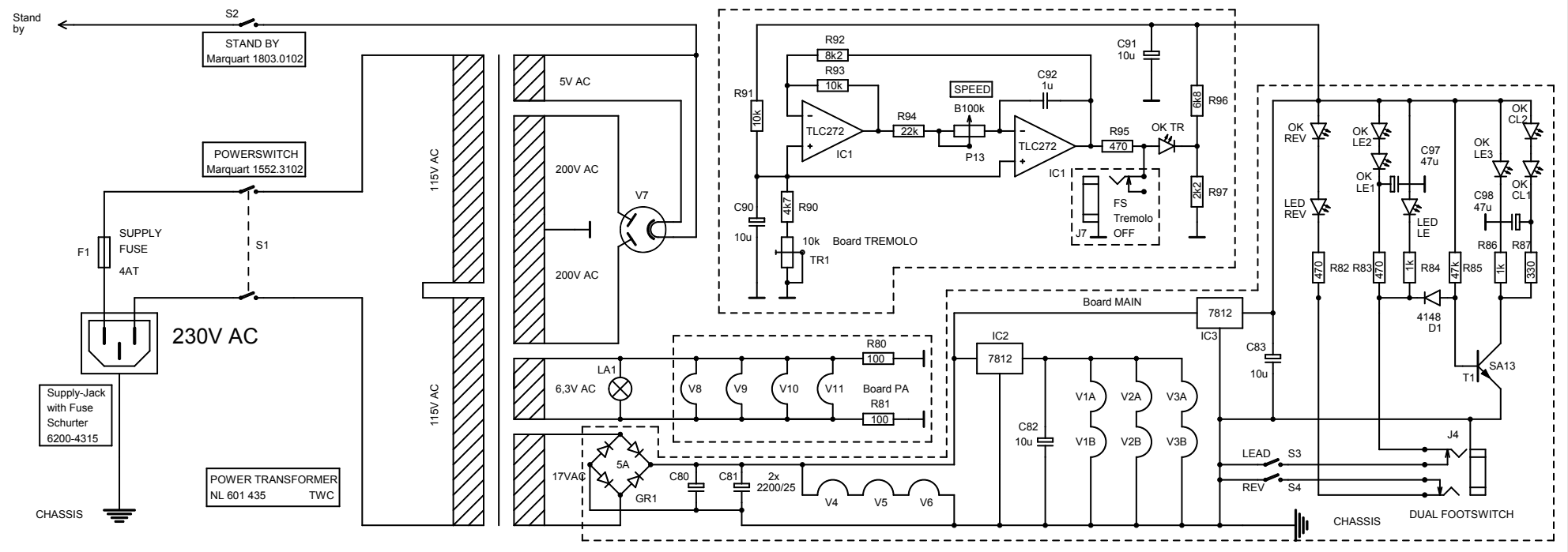
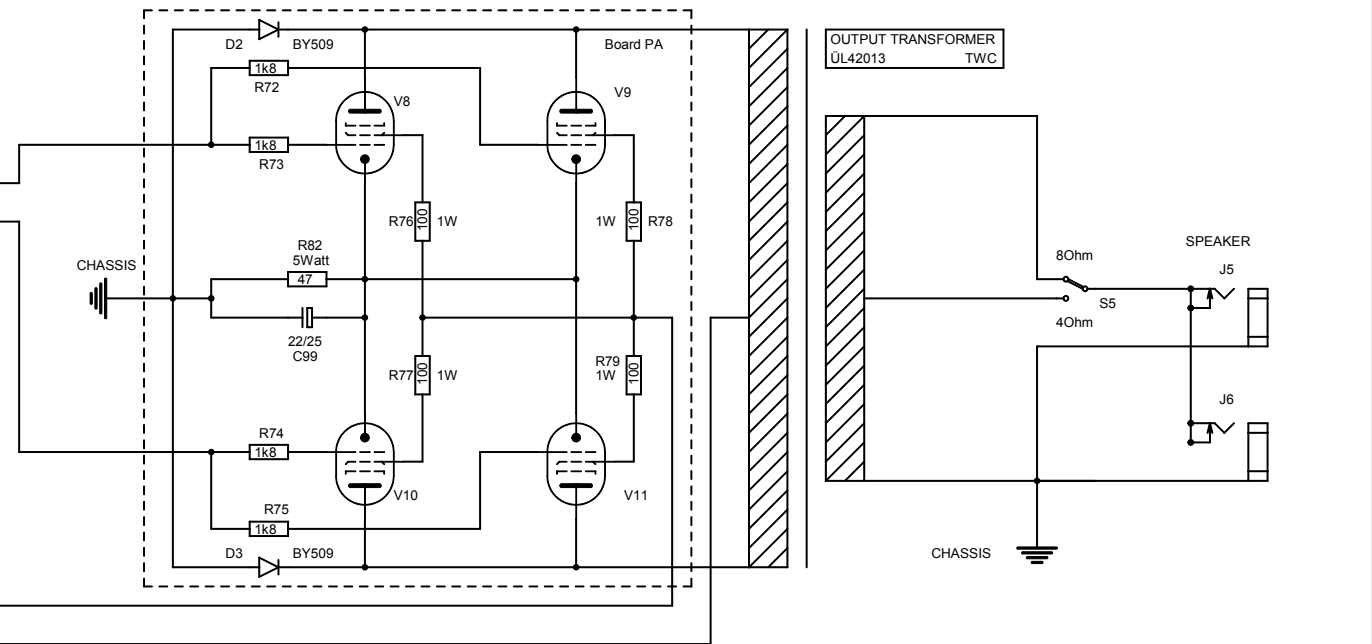
PAPH+

PAPH-

Usg

Ua

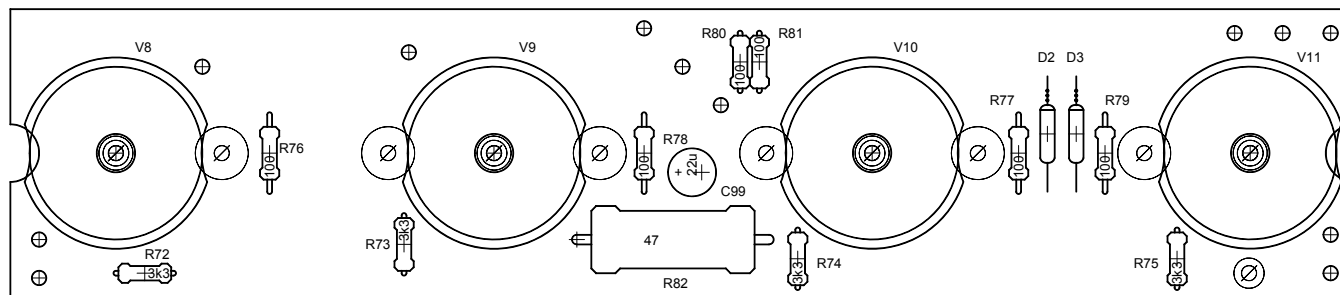
Stand by



RR2-PA-B5

Draw: 21.07.2005 09:53:38

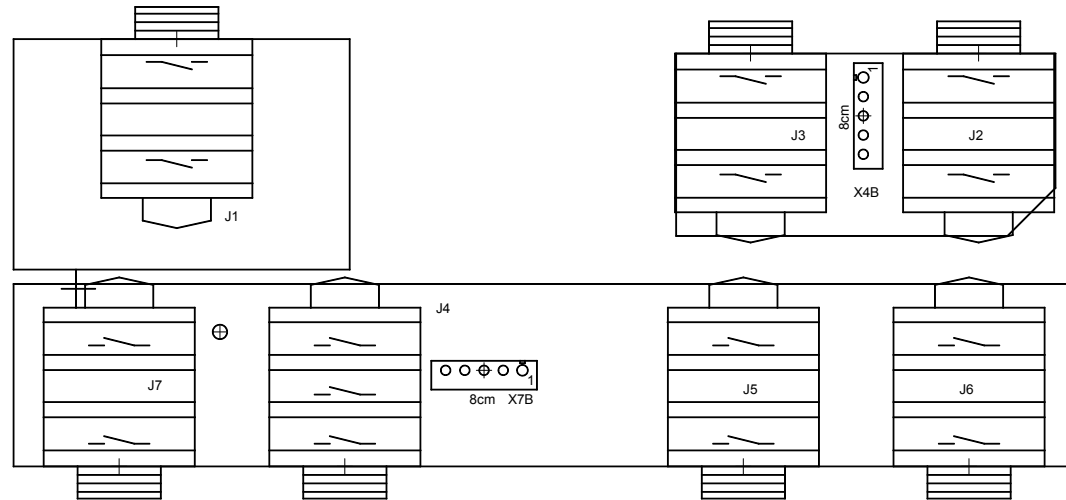
HDB electronic

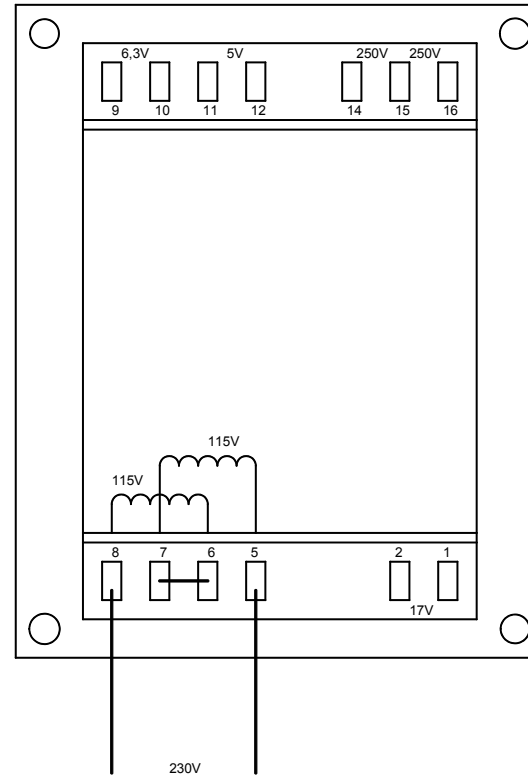
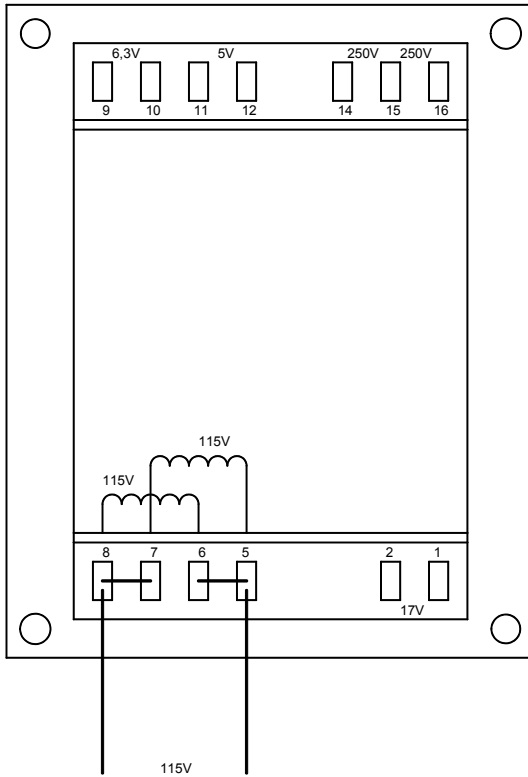


RR2-BUCHSEN-B5

Draw: 21.07.2005 10:35:57

HDB electronic





RR2-Trafo-S5

Date: 03.06.2005 05:59:56

HDB electronic