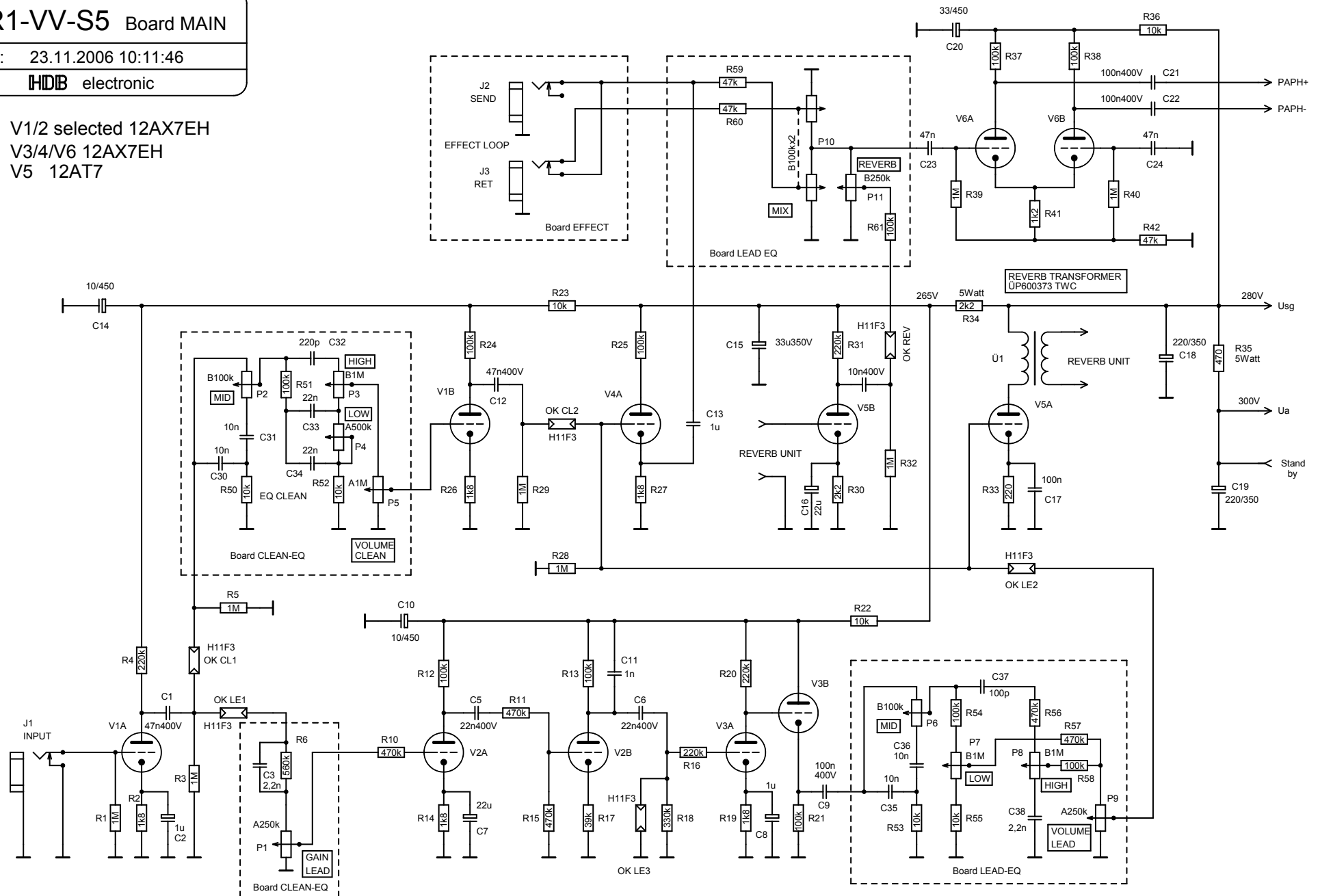


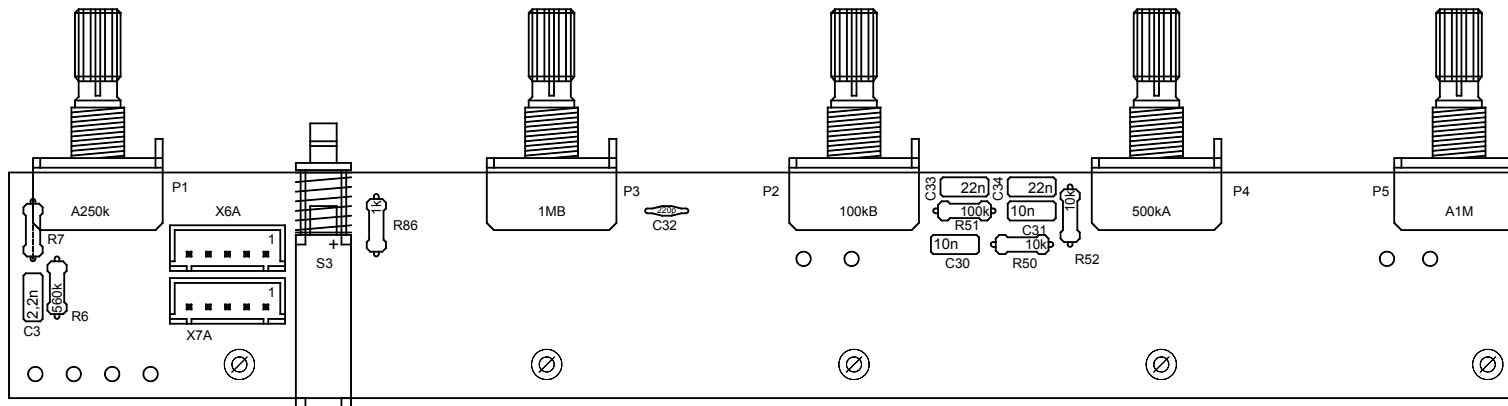
RR1-VV-S5 Board MAIN

Date: 23.11.2006 10:11:46

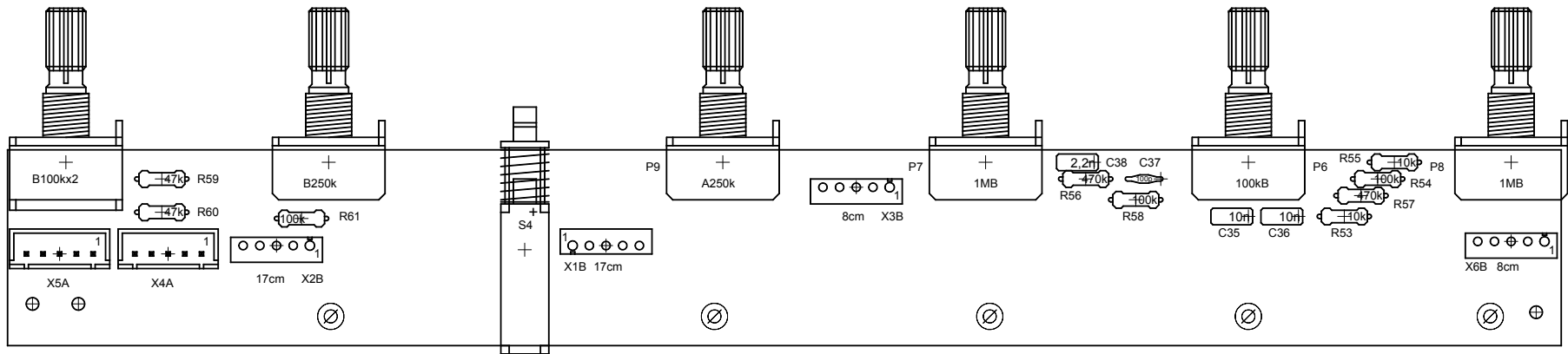
HDB electronic

V1/2 selected 12AX7EH
V3/4/V6 12AX7EH
V5 12AT7





RR1-CLEAN-B5
 Draw: 21.07.2005 12:35:10
HDB electronic

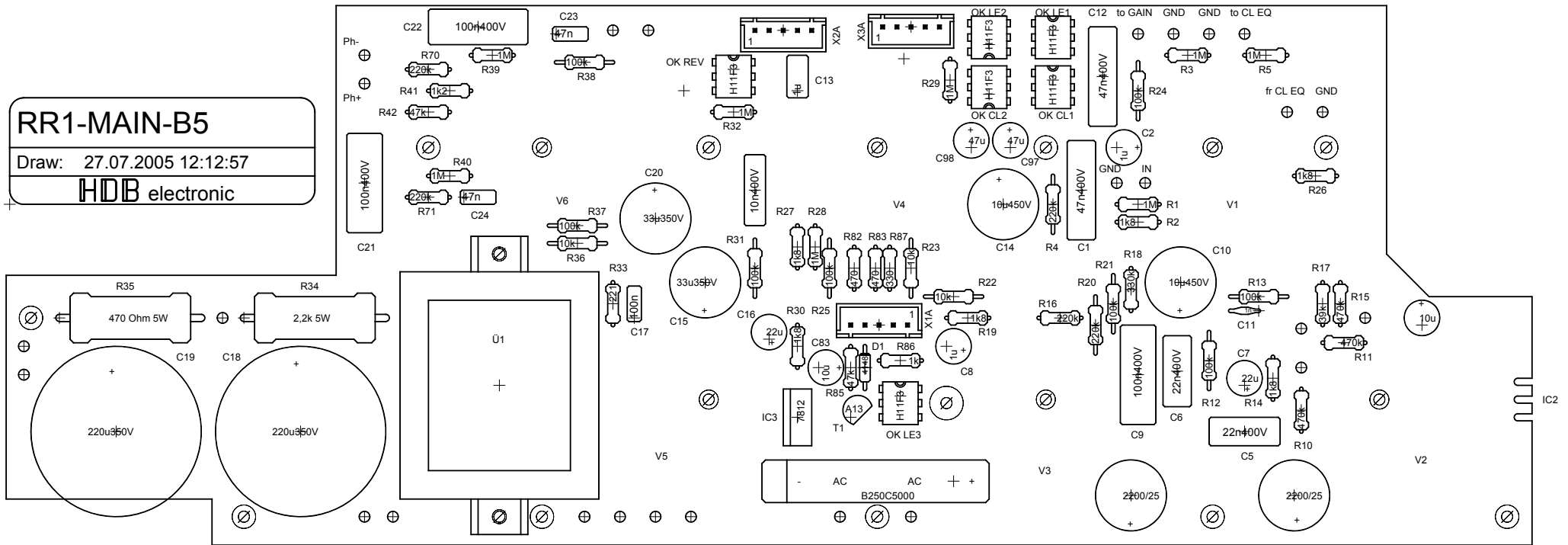


RR1-LEAD-B5

Draw: 21.07.2005 12:34:46

HDB electronic

RR1-MAIN-B5
Draw: 27.07.2005 12:12:57
HDB electronic



RR1-PA-S5

PA/NT

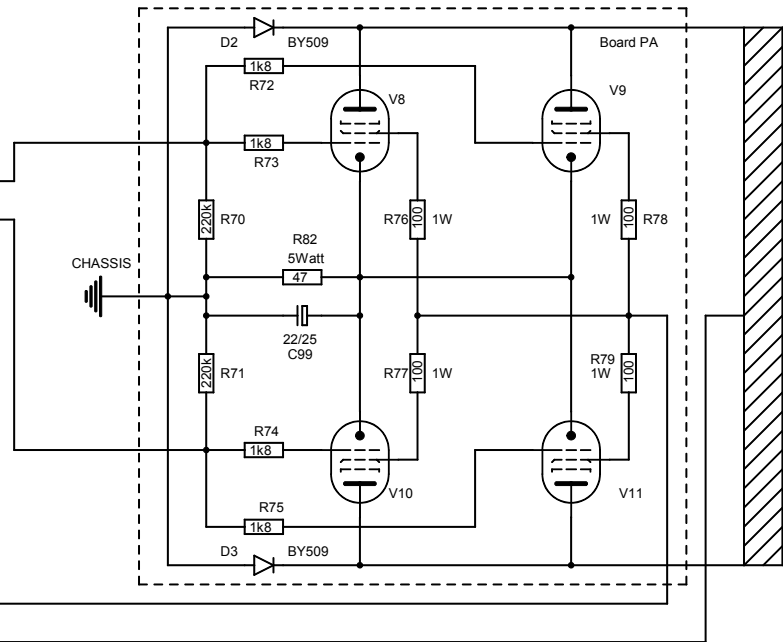
Date: 19.01.2006 08:04:18

V7 GZ34
V8-12 EL84

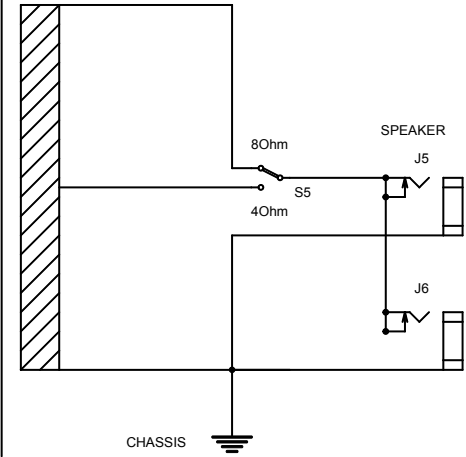
HDB electronic

PAPH+
PAPH-

Usg
Ua 300V
Stand by



OUTPUT TRANSFORMER
ÜL42013 TWC



STAND BY
Arcoelectric
H1750 00 AAA

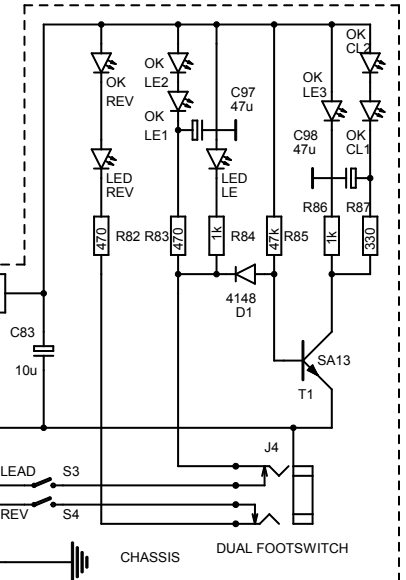
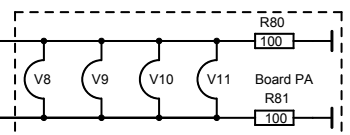
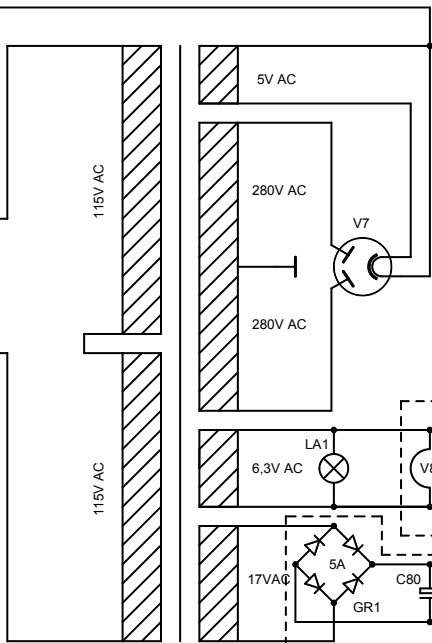
POWERSWITCH
Arcoelectric
H1750 00 AAA

SUPPLY FUSE
F1
4AT

230V AC

Supply-Jack
with Fuse
Schurter
6200-4315

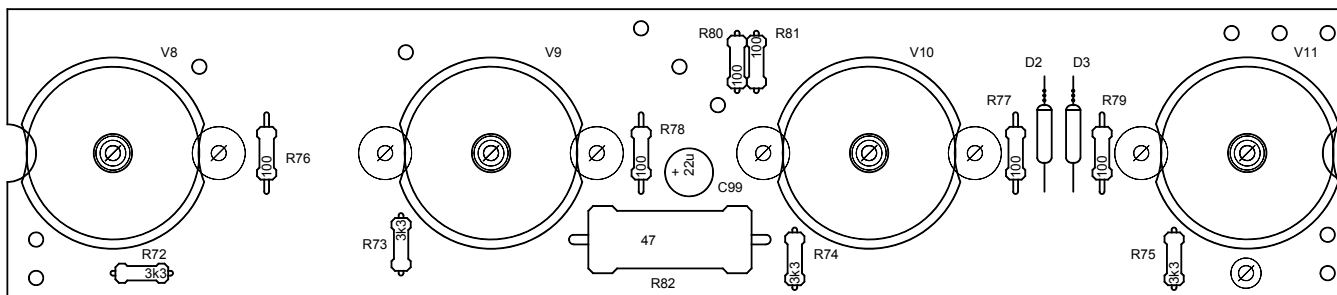
POWER TRANSFORMER
NL 601 435 TWC



RR1-PA-B5

Draw: 21.07.2005 12:40:01

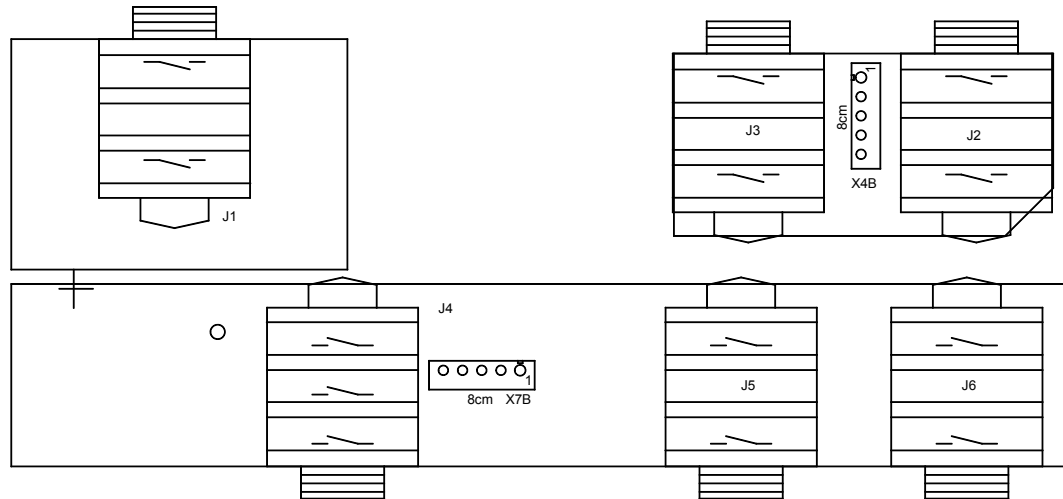
HDB electronic

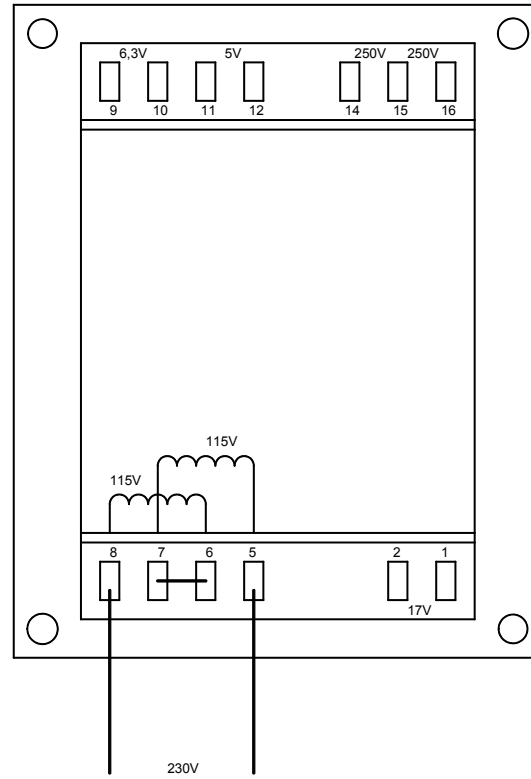
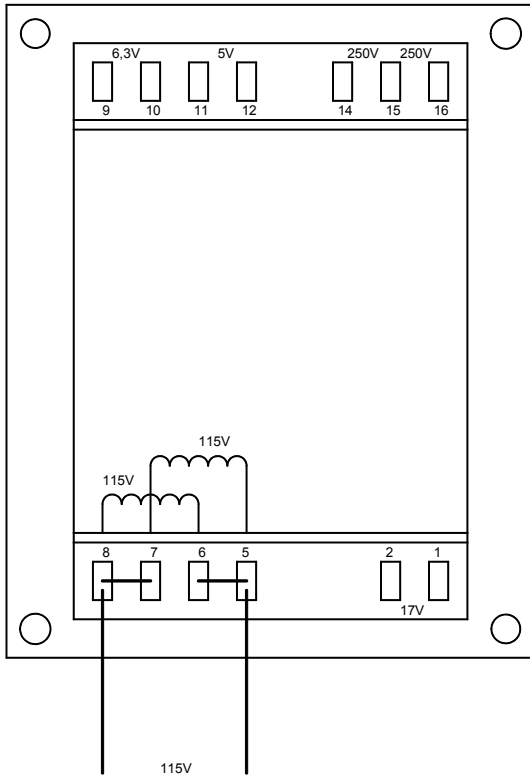


RR1-BUCHSEN-B5

Draw: 21.07.2005 12:13:23

HDB electronic





RR1-Trafo-S5

Date: 03.06.2005 05:59:56

HDB electronic