

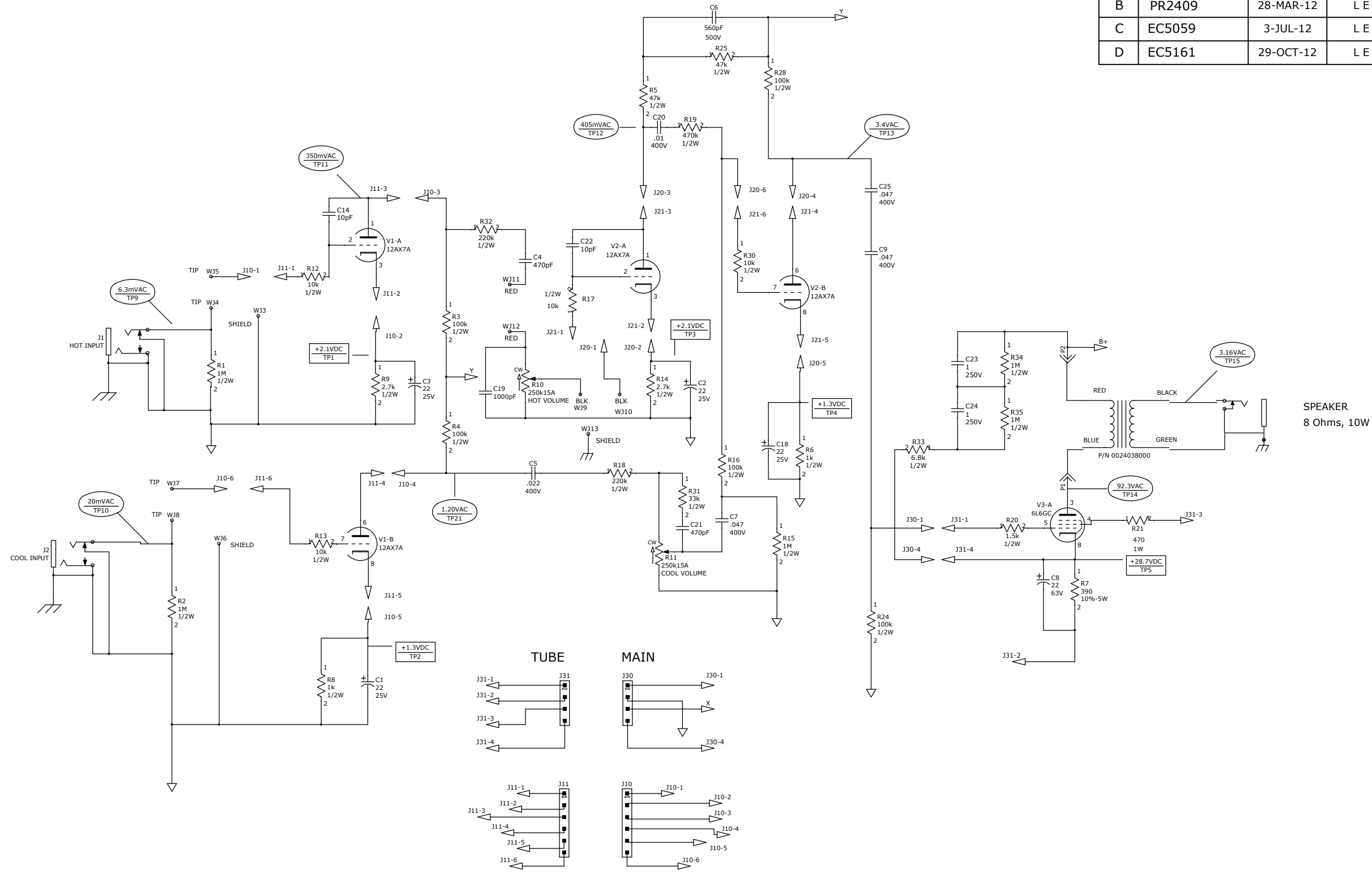
Fender® RAMPARTE™

PARTS LIST:			
QTY.	PART #	DESCRIPTION	REFERENCE DESIGNATION
2	7701502000	CONTRL POT, RAMPARTE 250K 15A	R10, R11
1	7701500000	**POWER SWITCH, RAMPARTE	S1
2	7701162000	JACKS ¼" INPUT RAMPARTE (PKG OF 2)	J1, J2
1	0021550000	JACK PHONE TIP SHUNT 12A	J3
2	5550113208	TUBE GT-12AX7-R SELECT	V1,V2
1	5550112233	TUBE GT-6L6-R R5	V3
1	7701164000	**PWR XFMR RAMPRT 110/120V	
1	7701165000	**PWR XFMR RAMPRT 230/240V	
1	7701166000	**PWR XFMR RAMPRT 100V	
1	7701167000	**OUTPUT XFMR RAMPARTE	
1	7701168000	**CONNECTOR IEC RAMPARTE	
1	7701499000	SPEAKER 12" 75W 8OHM	
1	0020794000	**FUSE QA 20mmx5mm 250V 2A (100v/120v)	F1 (100/120v)
1	0048381000	**FUSE QA 20mmx5mm 250v 1A (230v/240v)	F1 (230v/240v)
1	0036703000	**FUSE HOLDER 5mm FINGER GRIP	F1
2	7701163000	KNOBS RAMPARTE BLK PKG OF 2	
4	7701169000	CABINET GLIDES RAMPARTE	
1	7701501000	HANDLE BRW RAMPARTE W/HDWR	
1	0091675000	**CORD-AC UL/CSA 125V 10A (US)	
1	0091677000	**AC CORDSET EU TYPE H05W (EU)	
1	0091673000	**AC CORD 100V (JP)	
1	0091676000	**AC CORD UK-BS TYPE H0 (UK)	
1	0091674000	**AC CORD ARG 3P 250V (ARG)	
1	0091681000	**AC CORD KOREA 250V (SKOR)	

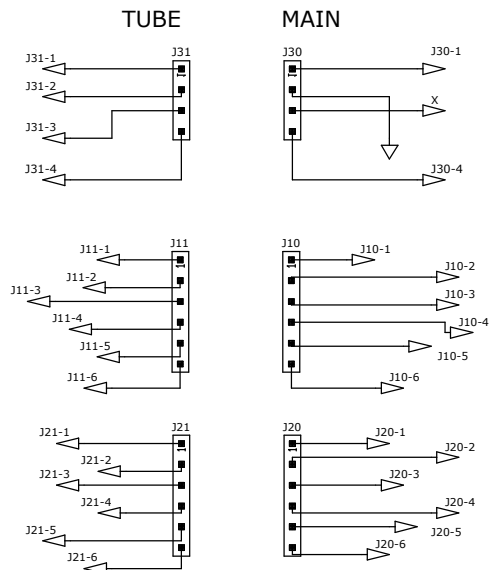


* Non-serviceable part. Replace complete parent assembly. See PCB EXCHANGE POLICY section above.
shaded Unique Fender® part. Order directly from the FMIC Parts Department.
*shaded + ** Access to this part or assembly is controlled. Please contact the FMIC Customer Service Department.
 ** Safety Requirement part. Replacement must match Safety Agency...–Value, if specified –Type, if specified –Approval Mark(s) if on part.
*shaded + *** Both a unique Fender® part and a Safety Requirement part as defined above.

REVISIONS			
REV.	DESCRIPTION	DATE	APPROVED
A	PR2409	14-MAR12	L E L
B	PR2409	28-MAR-12	L E L
C	EC5059	3-JUL-12	L E L
D	EC5161	29-OCT-12	L E L

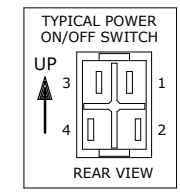
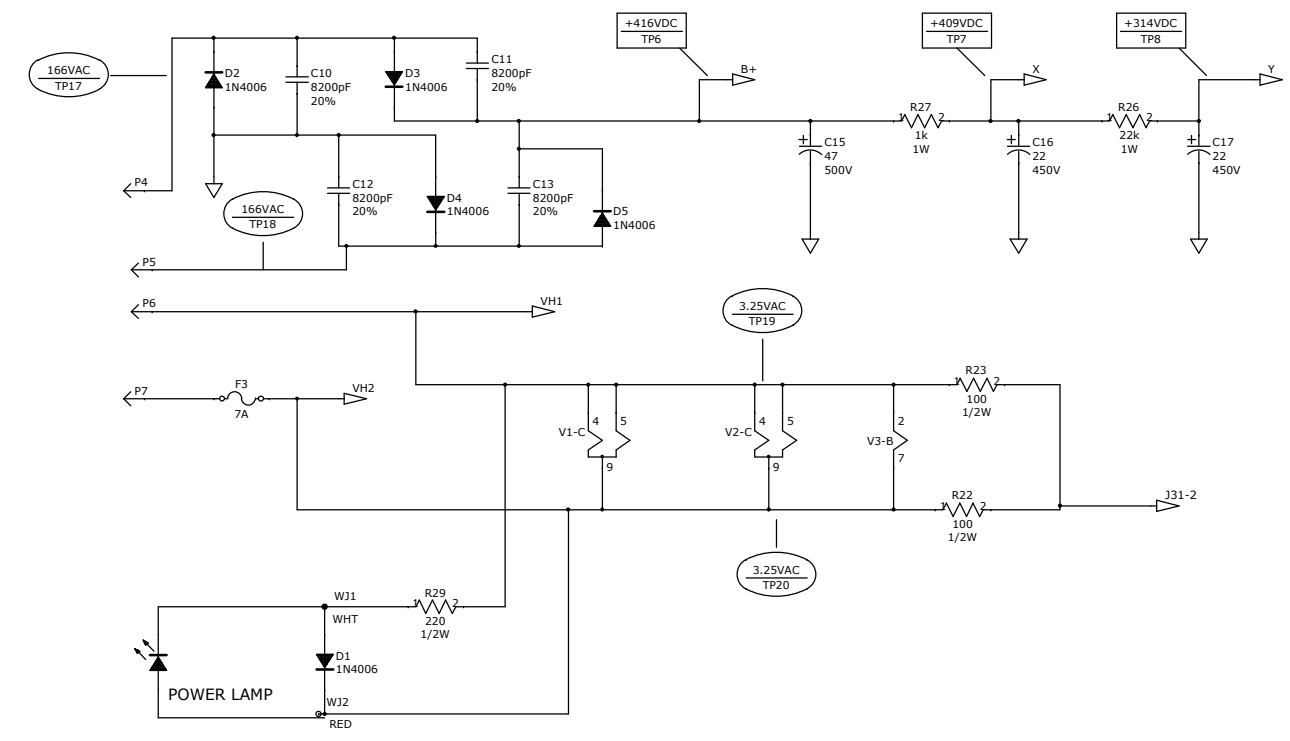
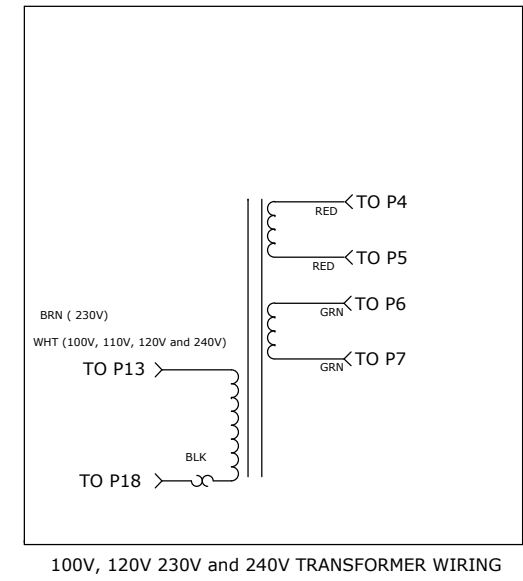
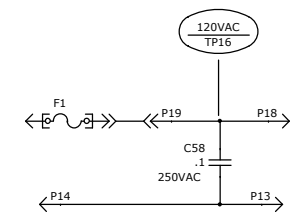


6. AC TEST POINT CONDITIONS: CONTROLS AT 50% ROTATION, ONE INPUT AT A TIME
 5. DC TEST POINT CONDITIONS: RATED INPUT VOLTAGE, NO SIGNAL
 4. THIS SCHEMATIC IS FOR PCB FABRICATION P/N 2409ICT005 AND PCB ASSEMBLY P/N 2409ICT006.
 3. ALL POLARIZED CAPACITORS IN μ F, 20%.
 2. ALL UNPOLARIZED CAPACITORS IN μ F, 10% OR BETTER.
 1. ALL RESISTORS IN OHMS, 5%; 1/2W UNLESS OTHERWISE STATED.
- NOTES: (UNLESS OTHERWISE NOTED)



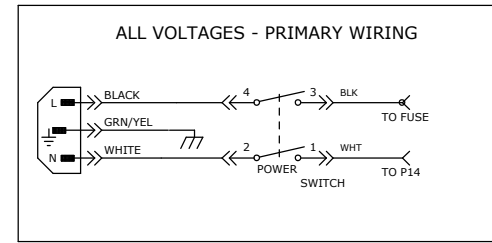
THIS DOCUMENT CONTAINS INFORMATION OF A PROPRIETARY NATURE TO FENDER MUSICAL INSTRUMENTS AND IS SUBMITTED TO YOU IN CONFIDENCE AND SHALL NOT BE DISCLOSED OR TRANSMITTED TO OTHERS WITHOUT AUTHORIZATION FROM FENDER MUSICAL INSTRUMENTS.		MUSICAL INSTRUMENTS Corona, CA U.S.A.	
CHECKED BY: _____ DATE: _____		TITLE: SERVICE DIAGRAM, COMBINED (schematic) RAMPARTE AMPLIFIER	
APPROVED BY: _____ DATE: _____		SIZE: C	DRAWING NUMBER: 2409ICT007
DRAWN: LORENZEN	ENGR: LORENZEN	RELEASE DATE: 14-MAR-12	REV. D
DATABASE FILE: Z2409S.SCH		SHEET: 1 OF 3	

REVISIONS			
REV.	DESCRIPTION	DATE	APPROVED
D	EC5161	29-OCT-12	L E L



ALL FASTONS ARE 0.250" EXCEPT P105 WHICH IS 0.187"

100V	120V	220V - 240V
2A FAST 250V	2A FAST 250V	1A FAST 250V

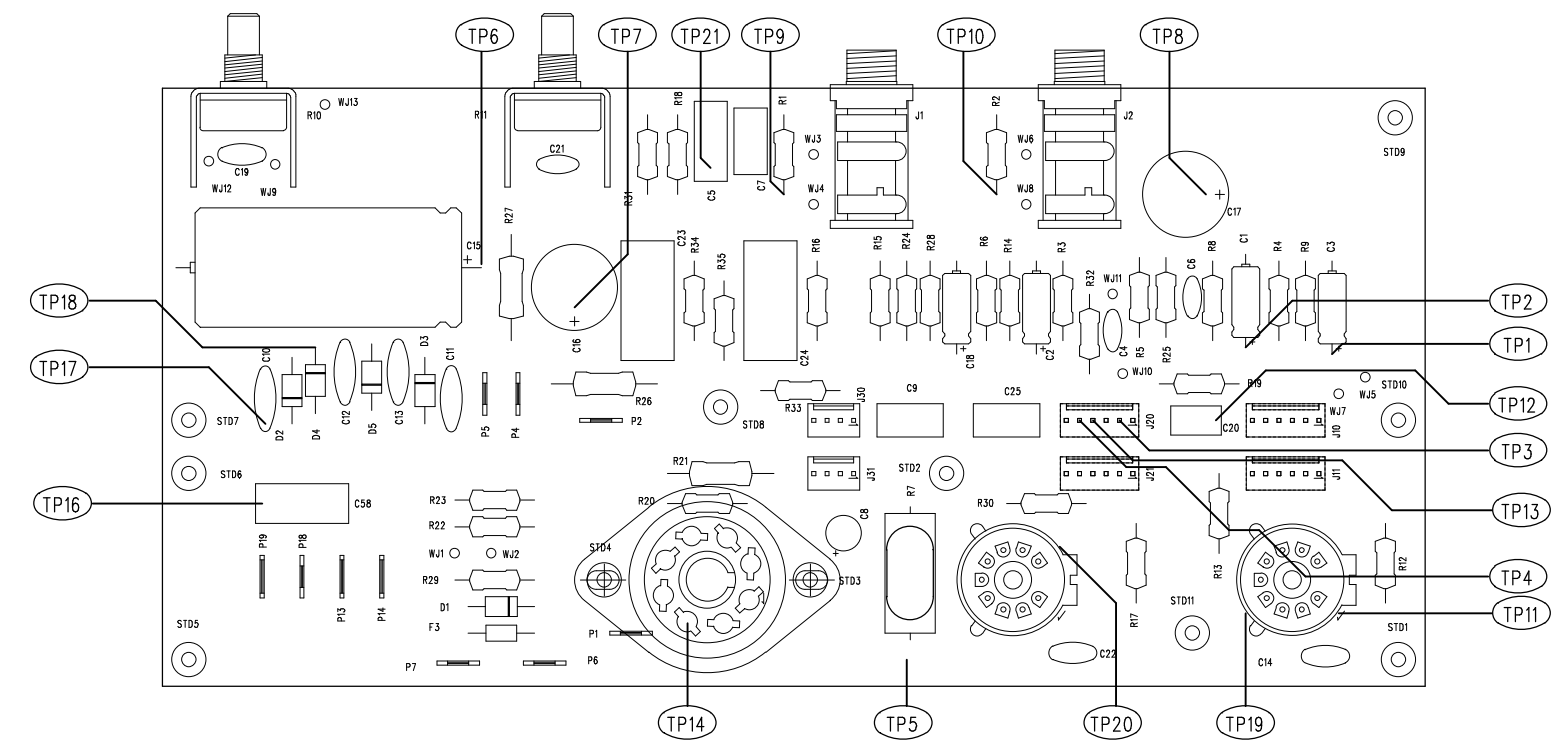


THIS DOCUMENT CONTAINS INFORMATION OF A PROPRIETARY NATURE TO FENDER MUSICAL INSTRUMENTS AND IS SUBMITTED TO YOU IN CONFIDENCE AND SHALL NOT BE DISCLOSED OR TRANSMITTED TO OTHERS WITHOUT AUTHORIZATION FROM FENDER MUSICAL INSTRUMENTS.		MUSICAL INSTRUMENTS Corona, CA U.S.A.	
CHECKED BY: _____ DATE: _____		TITLE: SERVICE DIAGRAM, COMBINED (schematic) RAMPARTE AMPLIFIER	
APPROVED BY: _____ DATE: _____		SIZE C	DRAWING NUMBER 2409ICT007
DRAWN: LORENZEN	ENGR: LORENZEN	REV. D	SHEET: 2 OF 3
DATABASE FILE: Z2409S.SCH		RELEASE DATE: 28-MAR-12	

8 7 6 5 4 3 2 1


REVISIONS			
REV.	DESCRIPTION	DATE	APPROVED
A	PR2409	21-MAR-12	LEL
B	PR2409	29-MAR-12	LEL
C	PR2409	23-OCT-12	LEL
D	EC 5161	29-OCT-12	LEL

D
C
B
A



FILM/DWG: SERVICE DIAGRAM
 DATABASE: Z2409P.PCB DATE: 29-OCT-12

1. SEE SHEET ONE FOR NOTES AND TEST CONDITIONS.
 (UNLESS OTHERWISE NOTED)

THIS DOCUMENT CONTAINS INFORMATION OF A PROPRIETARY NATURE TO FENDER MUSICAL INSTRUMENTS AND IS SUBMITTED TO YOU IN CONFIDENCE AND SHALL NOT BE DISCLOSED OR TRANSMITTED TO OTHERS WITHOUT AUTHORIZATION FROM FENDER MUSICAL INSTRUMENTS.		 MUSICAL INSTRUMENTS Corona, CA U.S.A.	
CHECKED BY: _____ DATE: _____		TITLE: SERVICE DIAGRAM, COMBINED (PCB assy) RAMPARTE AMPLIFIER	
APPROVED BY: _____ DATE: _____		SIZE C	DRAWING NUMBER 2409ICT007
DRAWN: Lorenzen	ENGR: Lorenzen	RELEASE DATE: 21-MAR-12	REV. D SHEET 3 OF 3
DATABASE FILE: Z2409P.PCB		SHEET 3 OF 3	

8 7 6 5 4 3 2 1