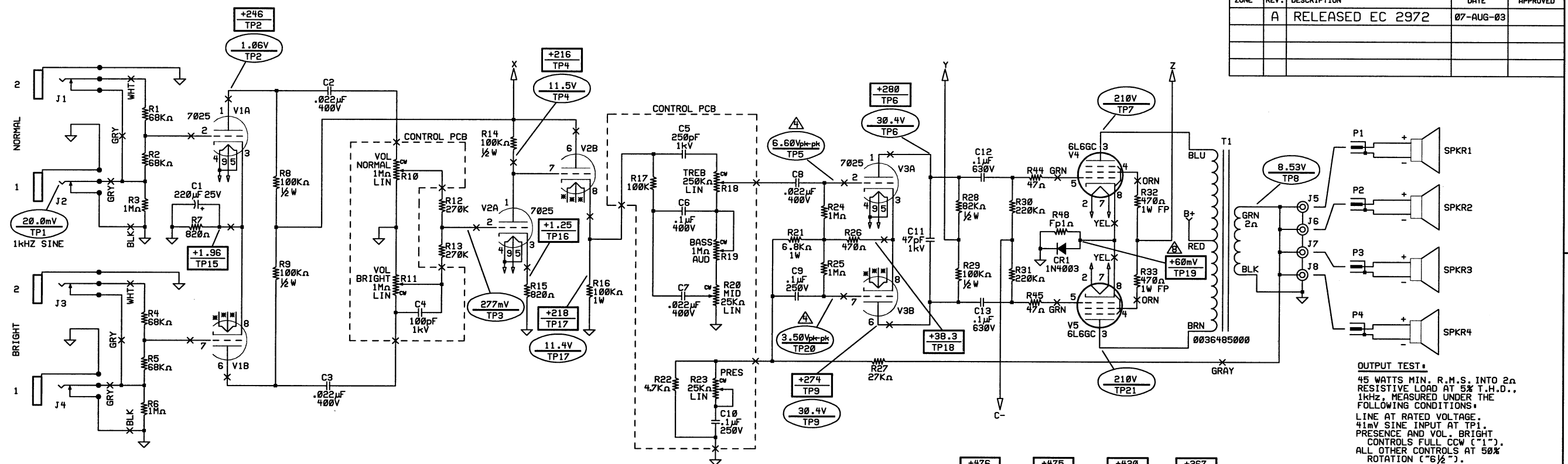
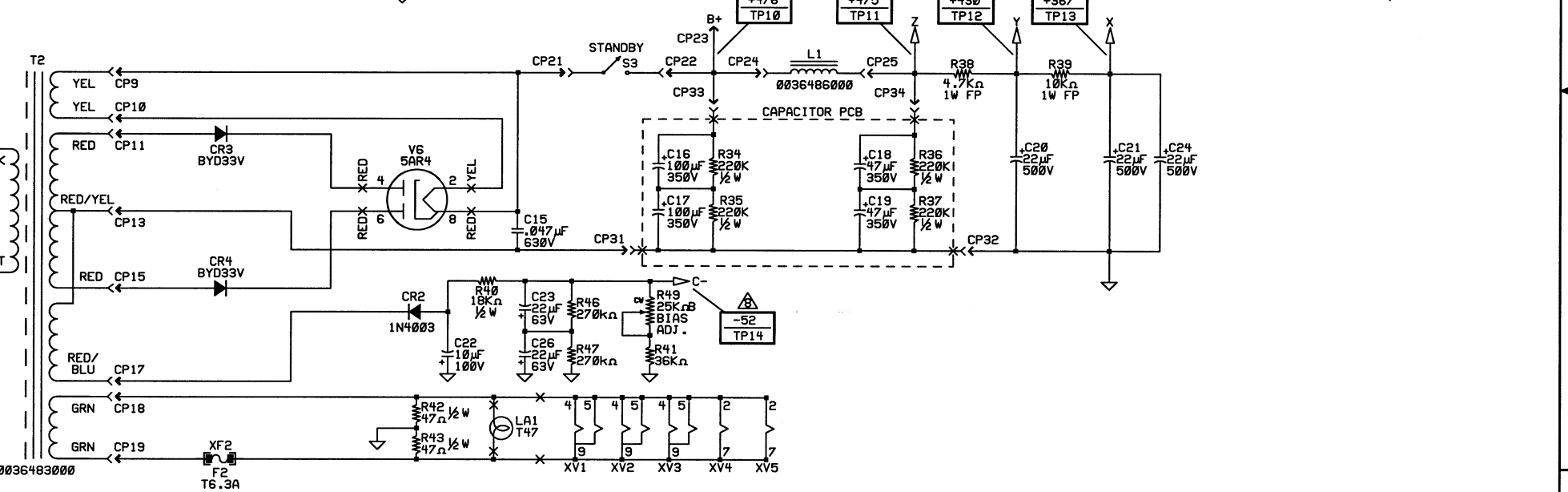
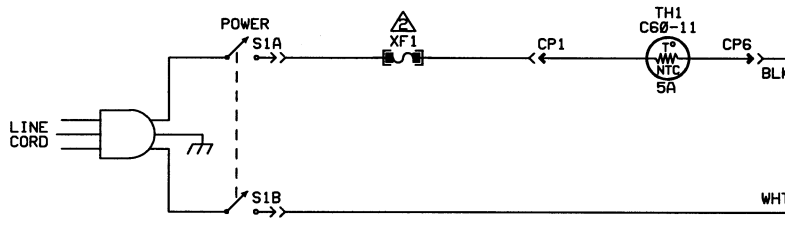


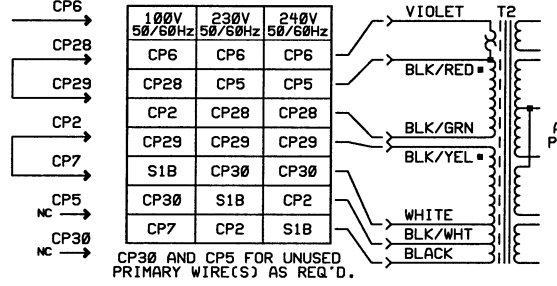
REVISIONS				
ZONE	REV.	DESCRIPTION	DATE	APPROVED
	A	RELEASED EC 2972	07-AUG-03	



OUTPUT TEST:
 45 WATTS MIN. R.M.S. INTO 2Ω
 RESISTIVE LOAD AT 5% T.H.D.,
 1kHz, MEASURED UNDER THE
 FOLLOWING CONDITIONS:
 LINE AT RATED VOLTAGE,
 41mV SINE INPUT AT TP1,
 PRESENCE AND VOL. BRIGHT
 CONTROLS FULL CCW ("1"),
 ALL OTHER CONTROLS AT 50%
 ROTATION ("6 1/2").



EXPORT TRANSFORMER
 PRIMARY WIRING
 DIAGRAM.

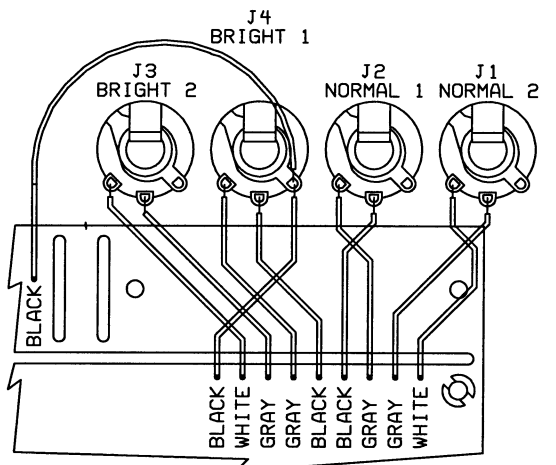


- NOTES:**
- ALL RESISTORS 1/4 WATT CARBON FILM UNLESS OTHERWISE NOTED.
 - LINE FUSE IS 3A IN 100V AND 120V MODELS, F1.6A IN 230V AND 240V MODELS.
 - ALL VOLTAGES MEASURED TO GROUND USING A DVM OF AT LEAST 1MΩ INPUT IMPEDANCE UNDER THE FOLLOWING CONDITIONS:
 ALL CONTROLS SET TO 50% ROTATION ("6 1/2").
 VOLTAGES MEASURED AFTER 5 MINUTE WARMUP.
 VOLTAGES MEASURED WITH BIAS SET AS PER NOTE 8.
 DC VOLTAGES MEASURED WITH NO SIGNAL PRESENT.
 VOLTAGES MAY VARY +/- 20%.
 - MEASURED WITH AN OSCILLOSCOPE USING A X10 PROBE.
 - X - WIRE CONNECTION.
 - TEN-DIGIT NUMBERS ARE FENDER PART NUMBERS.
 - INSTANCES NOT USED: C14 CP3 CP4 CP8 CP12 CP14 CP16 CP20 CP26 CP27
 - BIAS ADJUSTMENT - NO SIGNAL APPLIED, WITH RATED LINE VOLTAGE AT T2 POWER TRANSFORMER PRIMARY, AFTER 5 MINUTE WARMUP. SET BIAS ADJUST POT R49 TO OBTAIN A READING OF +60mV AT TP19. VOLTAGE SHOWN AT TP14 IS FOR REFERENCE ONLY.

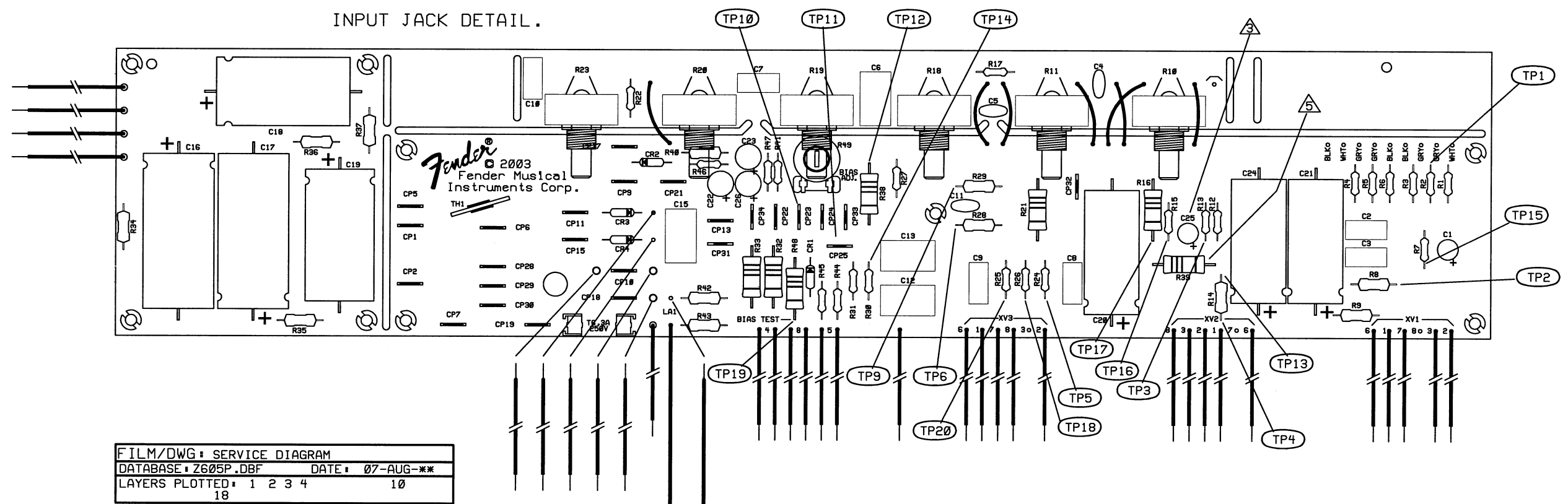
DATABASE FILE: Z6055.DBF CHECKED BY: [Signature] DATE: 7/25/03 APPROVED: [Signature] DATE: 7/27/03 TOLERANCES: UNLESS OTHERWISE NOTED X.X ±.050" X.XX ±.010" X.XXX ±.005" ANGLES ±.500°	PROPRIETARY THIS DRAWING DOCUMENT CONTAINS INFORMATION WHICH IS PROPRIETARY TO AND IS THE PROPERTY OF THE FENDER MUSICAL INSTRUMENTS CO. AND MAY NOT BE USED, REPRODUCED OR DISCLOSED IN ANY MANNER WITHOUT THE EXPRESSED WRITTEN CONSENT FROM FENDER MUSICAL INSTRUMENTS CORPORATION.	FENDER MUSICAL INSTRUMENTS Corona, CA USA TITLE: SERVICE DIAG, COMBINED 59 BASSMAN LTD. SIZE: DRAWN: WILKENS DRAWING NUMBER: 0063760000 REV. A ENGR: WILKENS CREATED: 24-JUN-03 PLOTTED: 07-AUG-03 SHEET 1 OF 2
---	--	--

6 5 4 3 2 1

REVISIONS				
ZONE	REV.	DESCRIPTION	DATE	APPROVED
	A	RELEASED EC 2972	07-AUG-03	



INPUT JACK DETAIL.



FILM/DWG: SERVICE DIAGRAM
DATABASE: Z605P.DBF
DATE: 07-AUG-03
LAYERS PLOTTED: 1 2 3 4 10 18

NOTES:

- 1). TP7 IS ON V4, PIN 3.
- 2). TP8 IS AT THE GREEN LEAD OF THE OUTPUT TRANSFORMER.
- 3). OPTIONAL C25, 220µF, 25V. PRESENT IN OLD MODEL 5F6, DELETED IN 5F6-A. CAPACITOR ADDS ABOUT 4 dB OF GAIN.
- 4). PCB SHOWN IN ONE PIECE, AS FABRICATED.
- 5). R39 MUST BE ELEVATED 3mm.
- 6). TP21 IS ON V5, PIN 3.

DATABASE FILE: Z605P.DBF CHECKED BY: PKC DATE: 22-SEP-03 APPROVED: [Signature] DATE: 9/22/03	PROPRIETARY THIS DRAWING DOCUMENT CONTAINS INFORMATION WHICH IS PROPRIETARY TO AND IS THE PROPERTY OF THE FENDER MUSICAL INSTRUMENTS CORP. AND MAY NOT BE USED, REPRODUCED OR DISCLOSED IN ANY MANNER WITHOUT THE EXPRESSED WRITTEN CONSENT FROM FENDER MUSICAL INSTRUMENTS CORPORATION.	Fender MUSICAL INSTRUMENTS Corona, CA USA TITLE: SERVICE DIAG, COMBINED 59 BASSMAN LTD AMPLIFIER.
TOLERANCES: UNLESS OTHERWISE NOTED X.X ±0.050" X.XX ±0.010" X.XXX ±0.005" ANGLES ±0.500°	TUBE MANTA: STILL NO CURE. NEXT HIGHER ASSEMBLY:	SIZE: B DRAWN: WILKENS ENGR: WILKENS DRAWING NUMBER: 0063760000 REV: A CREATED: 25-JUN-03 PLOTTED: 07-AUG-03 SHEET 2 OF 2

6 5 4 3 2 1