

SUPER REVERB REISSUE

p/n 021-7600-000 (120V)

SERVICE MANUAL



CONTENTS:

- Notices
- Specifications
- Service notes
- Parts lists:
 - PCB assy - Preamp
 - Chassis assembly
 - Cabinet assembly
 - End item
- Schematics/drawings

SUPER REVERB REISSUE

(This is the model name for warranty claims)

SERVICE MANUAL

DECEMBER 2000

IMPORTANT NOTICE:

The information contained herein is CONFIDENTIAL and PROPRIETARY to Fender Musical Instruments Corp. It is disclosed solely for use by qualified technicians for purposes of equipment maintenance and service. It is not to be disclosed to others without the expressed permission of Fender Musical Instruments Co. All specifications subject to change without notice.

For warranty repair service, only Fender specified part numbers are to be used. It is recommended they also be used for post-warranty maintenance and repair.

Parts marked with an asterisk (*) indicate the required use of that specific part. This is necessary for RELIABILITY and SAFETY requirements. **DO NOT USE A SUBSTITUTE!**

A coded naming convention is used in the description of certain parts. The codes and what they mean are as follows:

CAPACITOR CODES

CAP AE = Aluminum Electrolytic
CAP CA = Ceramic Axial
CAP CD = Ceramic Disk
CAP MPF = Metalized Polyester Film
CAP MY = Mylar
CAP PFF = Polyester Film/Foil

RESISTOR CODES

RES CC = Carbon Comp
RES CF = Carbon Film
RES FP = Flame Proof
RES MF = Metal Film
RES WW = Wire Wound

HARDWARE CODES

BLX = Black Oxide
CR = Chrome Plated
HWH = Hex Washer Head
M = Machine Screw
NI = Nickel Plated
OHP = Oval Head Phillips
PB = Particle Board
PHP = Pan Head Phillips
PHPS = Pan Head Phillips Sems
SMA = Sheet Metal "A" Point
SMB = Sheet Metal "B" Point
SS = Stainless Steel
TF = Thread Forming
ZI = Zinc Plated

SUPER REVERB REISSUE

SPECIFICATIONS

Product Release No.:	PR 469 <i>(This is not a model number)</i>	
Part Number:	120V Version :	021-7600-000
	240V Aus :	021-7630-000
	230V UK :	021-7640-000
	230V Eur :	021-7660-000
	100V :	021-7670-000
Power Requirements:	270W	
Fuse Type:	120V Models:	3A fast-blow, 125V minimum
	230/240V Models:	1.6A fast-blow, 250V minimum
	100V Models:	3A fast-blow, 125V minimum
Input Impedance:	Inputs 1 (both channels) 1m Ω Inputs 2 (both channels) 136k Ω	
Output Impedance:	2 Ω	
Speakers Complement:	Four 8 Ω 10" Jensen (P/N 0055613000)	
Dimensions:	Height: 24 7/8"	(63.2 cm)
	Width: 25 1/8"	(63.8 cm)
	Depth: 10 1/8"	(26.7 cm)
Weight:	80 lbs.	(24.3 kg)

Product specifications are subject to change without notice

SUPER REVERB REISSUE

PARTS LIST

NOTE: SHADED ITEMS ARE FOR REFERENCE ONLY

PRINTED CIRCUIT BOARD ASSEMBLY

QTY	PART #	DESCRIPTION	REFERENCE DESIGNATION
3	0037805000	CABLE RIBBON 6 CKT 2-1/4"	P21B P22B P23B
2	0028953000	CAP AE AX 100uF 350V +50%-10%	C31-32
7	0009512001	CAP AE AX 22uF 25V 20%	C1 C6 C11 C15-16 C23-24
3	0024819000	CAP AE AX 22uF 500V +50%-10%	C33-35
1	0038691001	CAP AE AX 4.7uF 50V 20%	C19
1	0031040000	CAP AE RDL 100uF 100V 20%	C36
1	0020883000	CAP CD 10pF 1000V 10%	C13
2	0020925000	CAP CD 120pF 1000V 10%	C10 C29
2	0020917000	CAP CD 250pF 1000V 10%	C2 C7
1	0020842000	CAP CD 500pF 1000V 10%	C14
2	0024823000	CAP MPF RDL .01uF 400V 10%	C20-21
4	0024833000	CAP MPF RDL .022uF 400V 10%	C4 C9 C12 C22
1	0024845000	CAP MPF RDL .047uF 400V 10%	C5
1	0024846000	CAP MPF RDL .047uF 630V 10%	C37
1	0024853000	CAP MPF RDL .1uF 250V 10%	C26
3	0024854000	CAP MPF RDL .1uF 400V 10%	C3 C8 C18
2	0024855000	CAP MPF RDL .1uF 630V 10%	C27-28
1	0053860000	CAP MPF RDL .1uF 250VAC 20%	C30
1	0037666002	CAP PFF .001uF 400V 10%	C25
1	0037040002	CAP PFF .0033uF 400V 10%	C17
1	0037600000	CONTROL SNAPIN 100k B TAPER	R31 Reverb
1	0037598000	CONTROL SNAPIN 10k 10A TAPER	R21 Ch.2 Middle
2	0037596000	CONTROL SNAPIN 1M 30A TAPER	R10 R22 Ch.1 Volume, Ch.2 Volume
2	0047540000	CONTROL SNAPIN 250k 15A TAPER	R8 R20 Ch.1 Bass, Ch.2 Bass
2	0037597000	CONTROL SNAPIN 250k 30A TAPER	R7 R19 Ch.1 Treble, Ch.2 Treble
1	0037601000	CONTROL SNAPIN 3M 10C TAPER	R42 Speed
1	0037602000	CONTROL SNAPIN 50k 30C TAPER	R48 Intensity
1	0064089001	DIODE 1N4003	D1
2	0026730001	DIODE 1N4006 800V 1A	D4-5
2	0029690001	DIODE HV 3kV 200mA	D2-3
13	0026000001	FSTN TAB MALE .187x.032 PCB MT	P8-20
7	0025802000	FSTN TAB MALE .250x.032 PCB MT	P1-7
3	0027413000	HDR .1 CTR 6 CKT SQ PIN	P21A P22A P23A
4	0037117000	JACK PCB MONO CLOSED CKT	J1-4
1	0037836000	OPTO-ISOLATOR ASSY 65 TWIN	OP1
9	0025116001	RES CF 1/2W 5% 100k LL	R4 R11 R16 R23 R29 R34 R46-47 R55
2	0026368001	RES CF 1/2W 5% 100ohm LL	R70-71
1	0037663001	RES CF 1/2W 5% 10M LL	R45
1	0025117001	RES CF 1/2W 5% 220k LL	R43
1	0037665001	RES CF 1/2W 5% 27k LL	R59
1	0025115001	RES CF 1/2W 5% 82k LL	R54
4	0024969001	RES CF 1/4W 5% 1.5k LL	R5 R17 R60-61
1	0024981001	RES CF 1/4W 5% 10k LL	R36
3	0024997001	RES CF 1/4W 5% 100k LL	R6 R18 R41
1	0024952001	RES CF 1/4W 5% 100ohm LL	R53

SUPER REVERB REISSUE

PRINTED CIRCUIT BOARD ASSEMBLY (cont)

QTY	PART #	DESCRIPTION	REFERENCE DESIGNATION
7	0025069001	RES CF 1/4W 5% 1M LL	R3 R15 R26 R39-40 R49 R52
1	0025075001	RES CF 1/4W 5% 2.2M LL	R38
1	0024972001	RES CF 1/4W 5% 2.7k LL	R44
6	0025059001	RES CF 1/4W 5% 220k LL	R12 R28 R33 R35 R56-57
1	0025077001	RES CF 1/4W 5% 3.3M LL	R25
1	0025063001	RES CF 1/4W 5% 390k LL	R37
1	0025065001	RES CF 1/4W 5% 470k LL	R32
1	0024961001	RES CF 1/4W 5% 470ohm LL	R51
1	0024979001	RES CF 1/4W 5% 6.8k LL	R9
4	0024995001	RES CF 1/4W 5% 68k LL	R1-2 R13-14
3	0024964001	RES CF 1/4W 5% 820ohm LL	R24 R30 R64
1	0029722001	RES FILM 1W 5% 1k LL	R67
1	0027347001	RES FILM 1W 5% 2.2k LL	R27
2	0027354001	RES FILM 1W 5% 220k LL	R65-66
1	0027350001	RES FILM 1W 5% 22k LL	R50
1	0037354001	RES FILM 1W 5% 4.7k LL	R68
3	0028740001	RES FILM 1W 5% 470ohm LL	R62-63 R69
2	0033095001	RES MOX FP 1W 5% 1ohm LL	R72-73
1	0028503000	THERMISTOR 10 ohm 5A C60-11	RT1
REF	0056922000	PCB FAB SUPER REVERB	
REF	0056923000	SVC DIAG COMB SUPER REVERB	

CHASSIS ASSEMBLY

QTY	PART #	DESCRIPTION	REFERENCE DESIGNATION
1	0056916000	CHASSIS SUPER REVERB	
1	0056917000	PANEL FRONT SUPER REVERB	
1	0056918000	PANEL REAR SUPER REVERB	
1	0056919000	XFMR POWER 120V SUPER REVERB REISSUE	
REF	0056920000	XFMR POWER EXPORT 230V/240V SUPER REVERB REISSUE	
REF	0056929000	XFMR POWER EXPORT 100V SUPER REVERB REISSUE	
1	0036485000	XFMR OUTPUT	
1	0037099000	XFMR REVERB VIBROLUX/65 DLX	
1	0036486000	CHOKE	
1	0036570000	SWITCH TOGGLE DPST W/NUTS	"PWR"
1	0037039000	SWITCH TOGGLE SPST W/NUTS	"STANDBY"
1	0047213000	CONNECTOR AC LINE MALE IEC	
1	0025239000	COVER CAPACITOR CUSTOM AMPS	DOG HOUSE
1	0056921000	PCB ASSY SUPER REVERB	
1	0036702000	FUSE HOLDER 3AG FINGER GRIP	100/120V
REF	0036703000	FUSE HOLDER 5mm FINGER GRIP	230/240V EXPORT
1	0077982000	FUSE QA 1-1/4x1/4 250V 3A	100/120V
REF	0020793000	FUSE QA 20mmX5mm 250V 1.6A	230/240V EXPORT
6	0018022000	BUSHING SNAP 5/16x17/32 BLK	
4	0026553000	SCRW M 8-32x3/8 PHP BLX	@OUTPUT XFMR
8	0022004000	NUT KEPS #8-32 ZINC	@OUTPUT/POWER XFMR

SUPER REVERB REISSUE

CHASSIS ASSEMBLY (cont)

QTY	PART #	DESCRIPTION	REFERENCE DESIGNATION
2	0014171000	SCRW M 4-40x3/8 PHP BLX	@IEC
2	0097360000	NUT 4-40 EX LOCK	@IEC
4	0027979000	SCRW M 4-40x1/4 PH BH NI .23HD	@ "BRIGHT" SWITCHES
14	0025936000	STANDOFF NYL PCB SNAP 3/8"	@PCB's
14	0028937000	SCRW TF 6-32x5/8 PHP ZI	@PCB's
27	0038900000	SCRW TF 6-32x1/4 PHP ZI	SKTS/XFMRS/DOG/GND
3	0020424000	TUBE RING UNIVERSAL (227H-2)	AT 8 PIN TUBES
3	0023580000	TUBE SOCKET 8 PIN (099-0724-000)	
6	0023598000	TUBE SHIELD (099-0723-000)	AT 9 PIN TUBES
6	0023606000	TUBE SOCKET 9 PIN	
2	0023531000	TUBE 12AT7 HIGH MU TWIN TRIODE	V3 V6
1	0041400000	TUBE 5AR4 FULLWAVE RECTIFIER	V9
2	0053980000	TUBE 6L6GC/5881 (SVETLANA)	V7-8
4	0013341000	TUBE 7025/12AX7WA (RUSSIAN)	V1-2 V4-5
1	0021956000	JACK PHONE 2/CD SOC L11	EXT SPKR
1	0021550000	JACK PHONE TIP SHUNT L12A	SPKR
2	0056930000	JACK PHONO 2 CND REAR-OF-PANEL MOUNT	RVB SND/RTN
10	0024604000	KNOB BLACK W/WHITE STAMP 1-10	@CONTROLS
1	0021642000	PILOT LIGHT #T47	
1	0021741000	HOLDER IDAL LITE ASSY PILOT	
1	0025718000	JEWEL PILOT LITE RED #20	
1	0031625000	NUT HOLDER PILOT LIGHT 1/16-27	
1	0032219000	COLLAR-PILOT LIGHT	

CABINET ASSEMBLY

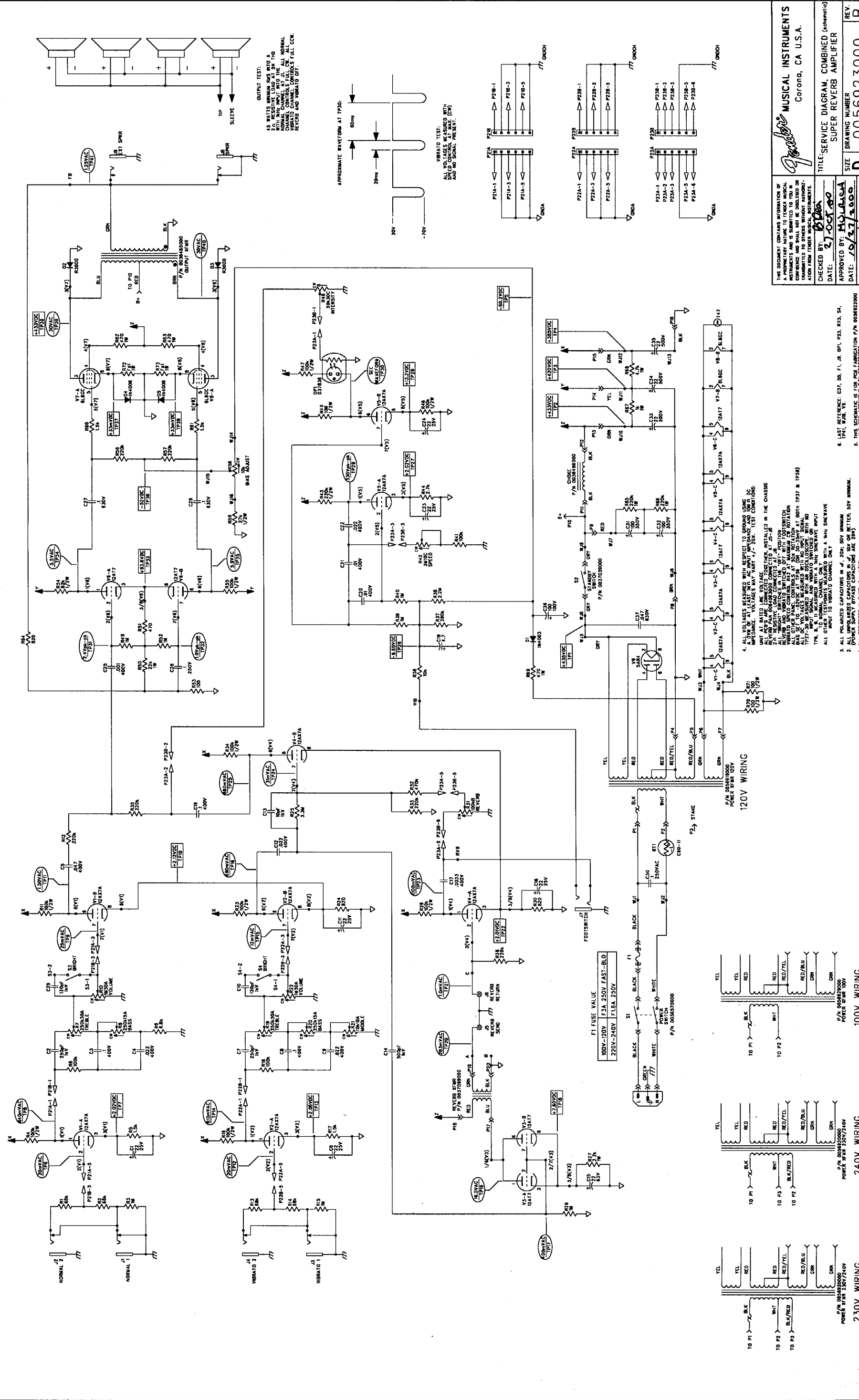
QTY	PART #	DESCRIPTION	REFERENCE DESIGNATION
REF	0037788000	CLOTH GRILLE BLACK/SILVER	
REF	0026570000	TOLEX BLACK	
REF	0027648000	TAPE ALUM 6"x60 YDS	
2	0025395000	HANDLE CAP 1 HOLE NI	
1	0032524000	INSERT HANDLE	
1	0037790000	HANDLE 9.25" BLACK RIBBED	
4	0022483000	INSERT GLIDE CUSHION 1.02 DIA	
4	0024653000	GLIDE CABINET NI PLATE	
2	0024695000	CORNER 2 HOLE W/TAB NI CSK	FRONT OF CABINET
2	0032785000	CORNER 2 HOLE NOTCH	REAR OF CABINET
4	0026625000	SCRW WOOD 8x1 FH	@ GLIDES
2	0022244000	SCRW M 10-32x1-1/8 OHP NI	@ HANDLE
18	0021972000	NUT T 10-32x3/4 STR 3 PRNG	SPEAKER/HANDLE NUTS
4	0037543000	SCRW SMAB 8x3/4 OHP NI	@ CORNERS
6	0016767000	SCRW M 10-32x1-3/4 OHP BLX	@ BAFFLE
6	0029527000	WSHR FNSH 8-5/8 FLNGD BLX	@ BAFFLE

SUPER REVERB REISSUE

END ITEM ASSEMBLY

QTY	PART #	DESCRIPTION	REFERENCE DESIGNATION
1	0056910000	CABINET ASSY SUPER REVERB	
1	0056911000	CHASSIS ASSY SUPER REVERB 120V	
REF	0056912000	CHASSIS ASSY SUPER REVERB 230V	
REF	0056913000	CHASSIS ASSY SUPER REVERB 230V UK	
REF	0056914000	CHASSIS ASSY SUPER REVERB 240V AUST	
REF	0056915000	CHASSIS ASSY SUPER REVERB 100V JPN	
1	0037211000	FTSW VIB/REV (099-4058-000)	
2	0024851000	LEG AMP TILT 19"	
4	0055613000	SPEAKER 10" 8 OHM JENSEN	P10R
1	0038566000	CABLE ASSY SPKR RT ANG 13-1/2	SPEAKER CABLE
1	0023192000	NAMEPLATE FENDER 65 TWIN	
1	0064063000	REVERB UNIT 4 SPRING 4AB3C1B	
1	0031849000	REVERB BAG	
1	0028453000	PAD CARDBOARD REVERB	
1	0056931000	CABLE REVERB 48" RIGHT ANGLE	
2	0022491000	CLAMP CABLE NYL SCRW MNT	@ REVERB CABLE
2	0024752000	STRAP CHASSIS 4-1/2" NI	CHASSIS MOUNT
4	0022236000	SCRW M 8-32x3-1/4 OHP NI CONE	CHASSIS MOUNT
2	0021998000	NUT FLEX LOCK 10-32 W/NYLON INSERT	@ LEG
16	0047821000	SCRW M 10-32 3/4 THP STL BLX	@ SPEAKERS
2	0022277000	SCRW M 10-32x1-1/2 OHP NI	@ LEG
2	0022285000	WSHR SP LOCK 1/4x.493 ZI	@ LEG
6	0022319000	WSHR FLAT 1/4x9/16 NI	@ LEG
2	0031344000	SCRW SMA 10x3/4 OHP NI	@ LEG STOP
2	0024646000	WASHER LEG STOP TN	@ LEG STOP
2	0022327000	WSHR FLAT 8x7/16 NI	@ REVERB BAG
REF	0016006000	SCRW M 10-32x1/2 THP NI	@ TUBE COVER 230v ONLY
5	0029828000	SCRW PB 8x3/4 PHP ZI	@ REVERB BAG/CHASSIS
2	0030866000	SCRW SMA 8x1/2 PHP NI	@ CLAMPS
3	0037985000	SCRW SMA 2x3/8 PHP BLX	@ NAMEPLATE
8	0037952000	SCRW SMA 6x1 OHP NI	@ CABINET BACKS
8	0037215000	WSHR C'SNK #6 NI	@ CABINET BACKS
1	0047248000	CORD PWR w/IEC CONN DOM	
REF	0047251000	CORD PWR w/IEC CONN 230V	
REF	0047249000	CORD PWR w/IEC CONN 230V UK	
REF	0047250000	CORD PWR w/IEC CONN 250V	240V AUS
REF	0053997000	CORD PWR w/IEC CONN 100V JPN	
REF	0056927000	COVER TUBE SUPER REVERB	230V ONLY
REF	0056928000	MANUAL OWNERS SUPER REVERB	
REF	0056923000	SERVICE DIAGRAM (COMB) SUPER REVERB	

REVISIONS			
REV.	DESCRIPTION	DATE	APPROVED
A	PR 469	17-AUG-00	MCU
B	EC 2539	24-OCT-00	MCU



THIS DOCUMENT CONTAINS INFORMATION OF A PROPRIETARY NATURE TO FENDER MUSICAL INSTRUMENTS COMPANY AND IS NOT TO BE REPRODUCED OR TRANSMITTED TO OTHERS WITHOUT AUTHORIZATION FROM FENDER MUSICAL INSTRUMENTS.

CHECKED BY: *B. Dyer*
 DATE: 27-OCT-00

APPROVED BY: *M. J. J. J.*
 DATE: 18/27/00

DRAWING NUMBER: **D 0056923000**
 TITLE: SERVICE DIAGRAM, COMBINED (schematic) SUPER REVERB AMPLIFIER

REV. B
 DRAWING NUMBER: **D 0056923000**
 RELEASE DATE: 20-JUL-00 SHEET: 1 OF 2

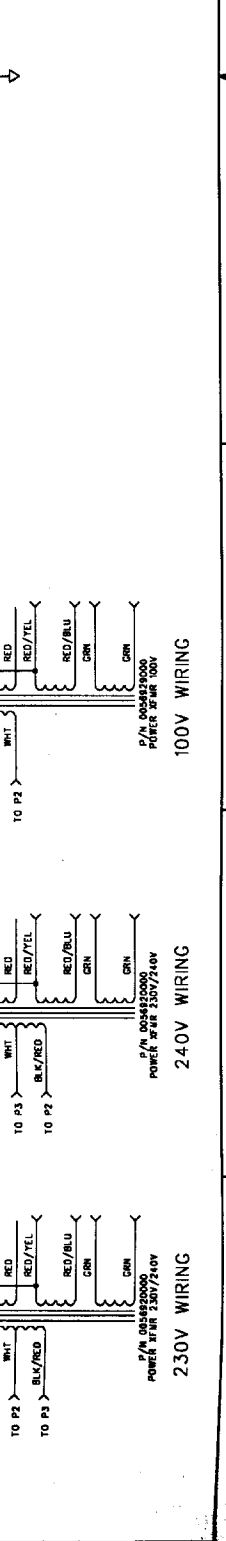
6. LAST REFERENCE: C57, P1, J1, GP1, P23, R13, S4, 1P41, W41, V41.

7. ALL UNPOLARIZED CAPACITORS IN μ F, 20% OR BETTER, 50V MINIMUM.

8. THIS SIZE ASSUMES 1/4" BOARD SPACING.

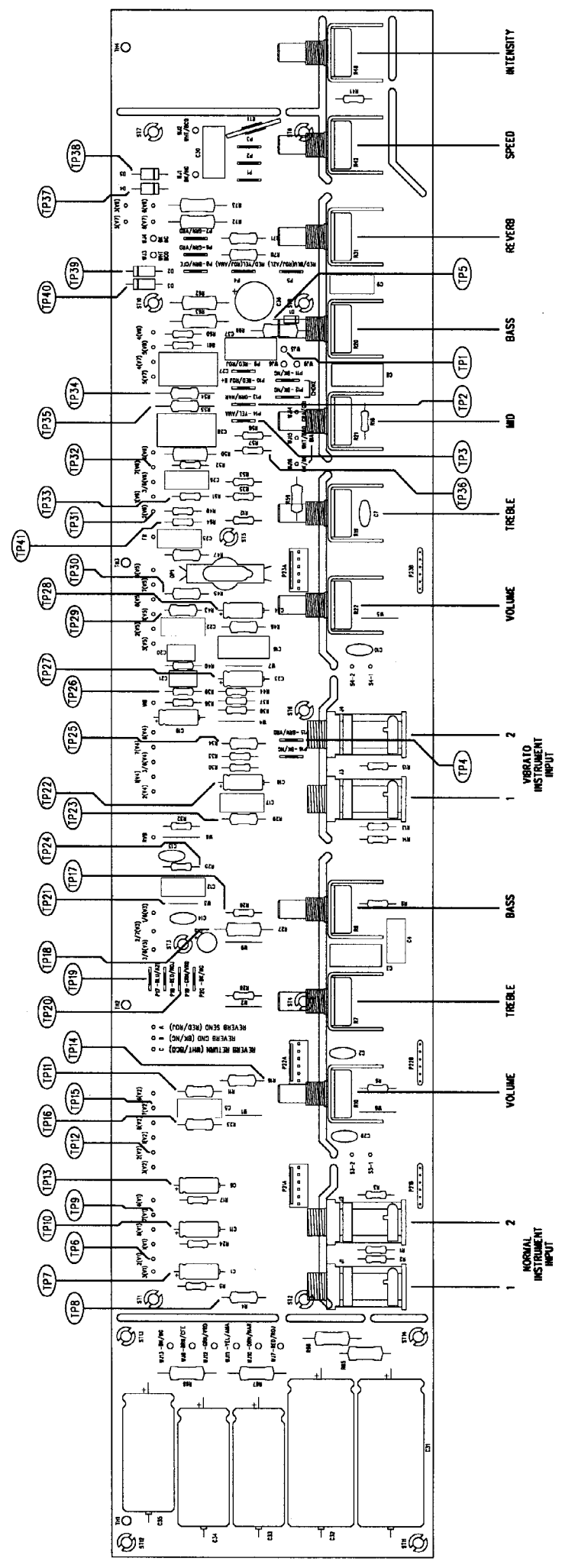
9. THIS SIZE ASSUMES 1/4" BOARD SPACING.

NOTES: (UNLESS OTHERWISE NOTED)



1 2 3 4 5 6 7 8

REVISIONS			
REV.	DESCRIPTION	DATE	APPROVED
A	PR469	20-JUL-00	MCU
B	EC 2539	24-OCT-00	MCU



FILE/WORK: SERVICE DIAGRAM
 DATABASE: Z489PCB DATE: 10-24-00

THIS DRAWING CONTAINS INFORMATION OF A PROPRIETARY NATURE TO FENDER MUSICAL INSTRUMENTS AND IS LOANED TO YOU IN CONFIDENCE AND SHALL NOT BE REPRODUCED OR TRANSMITTED IN ANY FORM WITHOUT THE WRITTEN PERMISSION OF FENDER MUSICAL INSTRUMENTS.

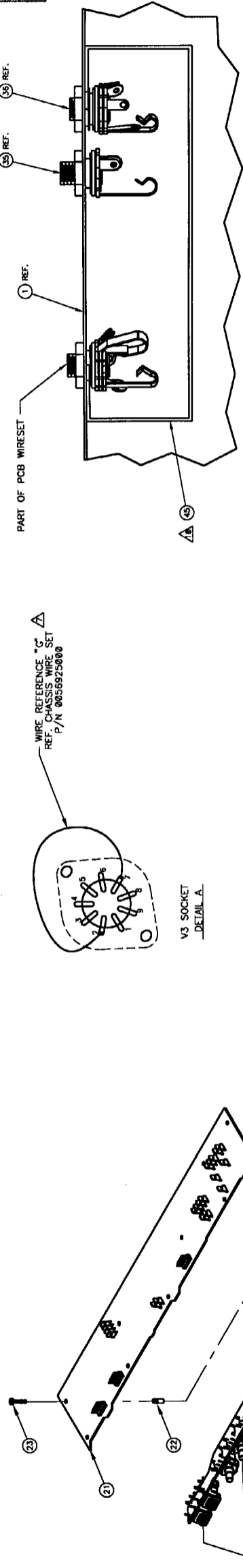
MUSICAL INSTRUMENTS
 Corona, CA U.S.A.

TITLE: SERVICE DIAGRAM, COMBINED (PCB Assy)
 SUPER REVERB AMPLIFIER
 CHECKED BY: *HBA*
 DATE: 27 OCT 00
 APPROVED BY: *HOLACHT*
 DATE: 10/27/2000
 DRAWING NUMBER: 0056923000
 SIZE: D
 REV. B
 RELEASE DATE: 20-JUL-00 SHEET 2 OF 2

1- SEE SHEET 1 FOR PRIMARY WIRING, TEST CONDITIONS AND TEST POINT VALUES.
 NOTES: (UNLESS OTHERWISE NOTED)

1 2 3 4 5 6 7 8

THIS DOCUMENT CONTAINS INFORMATION OF A PROPRIETARY NATURE TO FENDER MUSICAL INSTRUMENTS AND IS SUBMITTED TO YOU IN CONFIDENCE AND SHALL NOT BE DISCLOSED OR TRANSMITTED TO OTHERS WITHOUT AUTHORIZATION FROM FENDER MUSICAL INSTRUMENTS CORP.



DETAIL B

(N.S.) = NOT SHOWN

47	2	SEE MATRIX	BOOT, TOGGLE SWITCH
46	6	0057160000	TUBING, VARGLAS SILICONE RUBBER (N.S.)
45	1	SEE MATRIX	BARRIER, FISH PAPER, SUPER REVERB
44	1	SEE MATRIX	LABEL FUSE W ON B F1.6A 250V (N.S.)
43	1	0032219000	COLLAR-PILOT LIGHT
42	1	0031625000	NUT HOLDER PILOT LIGHT 1/16-27
41	1	0025718000	JEWEL PILOT LITE RED #20
40	1	0021741000	HOLDER IDAL LITE ASSY PILOT
39	1	0021842000	PILOT LIGHT #147
38	1	0056925000	WIRESET CHASSIS SUPER REVERB (N.S.)
37	10	0024604000	KNOB BLACK W/WHITE STAMP 1-10
36	1	0021550000	JACK PHONE TIP SHUNT 12A
35	1	0021956000	JACK PHONE OPEN CIRCUIT 11
34	4	0013341000	TUBE 7925/12AX7WA RUSSIAN MADE
33	2	0053980000	TUBE VACUUM 6L6GC/5881 SYLMA
32	1	0041400000	TUBE SAR4 FULLWAVE RECTIFIER
31	2	0023531000	TUBE 12A7 HIGH MU TWIN TRIODE
30	6	0023606000	TUBE SOCKET 9 PIN
29	6	0023598000	TUBE SHIELD (099-0723-000)
28	3	0023580000	TUBE SOCKT 8 PN (099-0724-000)
27	3	0020424000	TUBE RING UNIVERSAL (277H-2)
26	27	0038900000	SCRW TF 6-32X1/4 PHP ZI
25	1	SEE MATRIX	FUSE
24	1	SEE MATRIX	FUSE HOLDER
23	14	0028937000	SCRW TF 6-32x3/8 PHP ZI TAPTTT
22	14	0025936000	STANDOFF NYL PCB SNAP 3/8" NAT
21	1	0055821000	PCB ASSY SUPER REVERB
20	1	0025239000	COVER CAPACITOR CUSTOM AMPS
19	2	0097360000	NUT HEX 4-40 EX LOCK
18	2	0014171000	SCRW M 4-40x3/8 PHP BLX
17	1	0047213000	CONNECTOR AC LINE MALE IEC
16	4	0027979000	SCRW M4-40x1/4 PH BH NI .23HD
15	2	0055930000	JACK PHONE 2 CND REAR-OF-PNL MNT
14	1	0037039000	SWITCH TOGGLE SPST W/NUITS
13	1	0036570000	SWITCH TOGGLE DPST W/NUITS
12	8	0022004000	NUT KEPS #8-32 ZINC
11	4	0026553000	SCRW M 8-32x3/8 PHP BLX
10	6	0018022000	BUSHING SNAP 5/16x17/32 BLK
9	1	0036486000	CHOKE
8	1	0037099000	XFMR REVERB VIBROVERB/65 DLX
7	1	0036485000	XFMR OUTPUT
6	1	SEE MATRIX	XFMR POWER
5	1	0013020000	LABEL GROUNDING SEMKO
4	1	SEE MATRIX	LABEL VOLTAGE
3	1	0056918000	PANEL REAR SUPER REVERB
2	1	0056917000	PANEL FRONT SUPER REVERB
1	1	0056916000	CHASSIS SUPER REVERB

MATRIX

27	BOOT	N/A	0057161000	N/A	N/A
43	BARRIER	N/A	0056934000	N/A	N/A
44	LABEL FUSE	N/A	0041453000	0041453000	N/A
45	FUSE	0077962000	0020793000	0020793000	0077962000
46	FUSE HOLDER	0036702000	0036702000	0036702000	0036702000
6	XFMR POWER	0056919000	0056920000	0056920000	0056920000
4	LABEL VOLTAGE	N/A	0050505000	0050505000	0050507000
CHASSIS ASSEMBLY	SUPER REVERB	0056911000	0056912000	0056913000	0056915000

REV	REV NUMBER	REV DATE
A	PR 469	8/9/2000
B	EC 2539	10/26/00

DATE	6/14/2000
DESIGNED	WIELOPOLSKA
ENGINEER	ULRICH
DATE	10/27/2000
APPROVED	MULLEN
DATE	10/27/2000
REV.	B
DRAWING NUMBER	0056911000
TITLE	CHASSIS ASSEMBLY SUPER REVERB
SHEET SIZE	1/1
SCALE	N/A
MASTER	1

APPLY TO 230V EURO. & 230V UK MODELS ONLY.
 COVER YELLOW SECONDARY TRANSFORMER
 WIRES WITH TUBING, ITEM 46, BEFORE
 SOLDERING TO V9 SOCKET

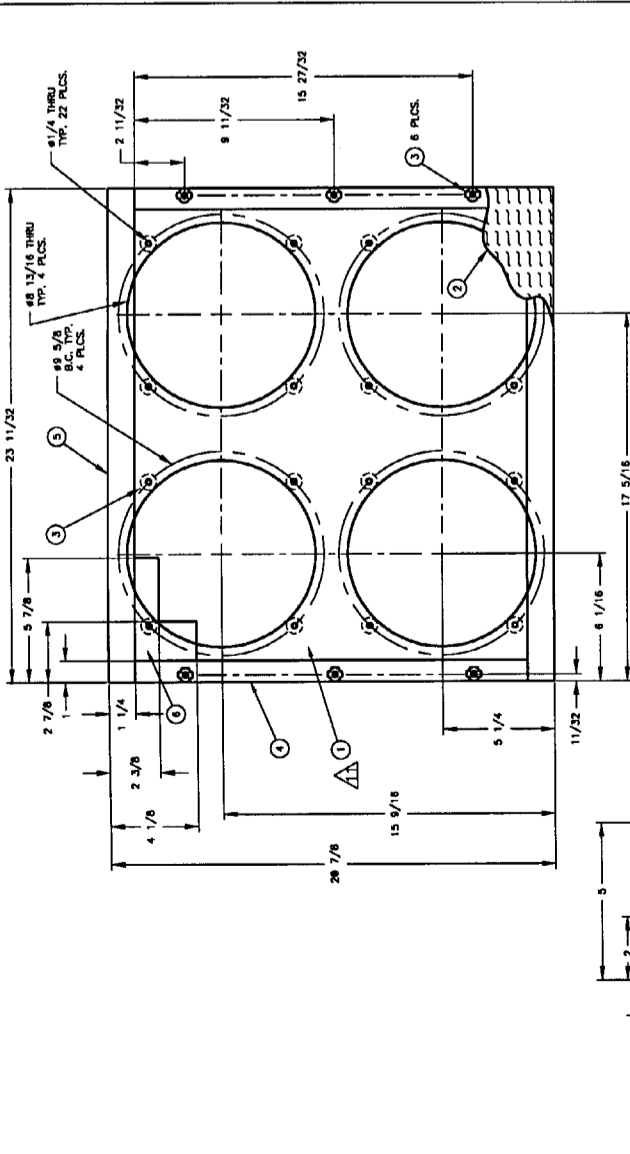
OUTPUT TRANSFORMER WIRING IS SOLDERED AT THE FOLLOWING LOCATIONS:
 GREEN - "TIP" AT J8
 BLACK - "SLEEVE" AT J9
 BLUE - V7, PIN 3
 BROWN - V8, PIN 3

CONNECT RED WIRE TO "P10" ON PCB ASSY.
 AFTER TUBE SOCKET IS MOUNTED TO THE CHASSIS, ROUTE WIRE AROUND THE OUTSIDE OF THE SOCKET, CLOSE TO THE BOTTOM OF THE CHASSIS, AWAY FROM CATHODE WIRING.

NOT PART OF THIS ASSEMBLY. LOCATE AS SHOWN.
 HARDWARE INCLUDED WITH PART.

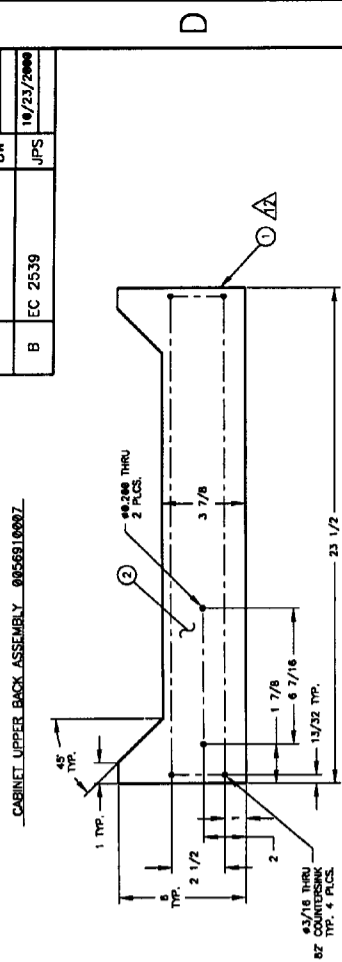
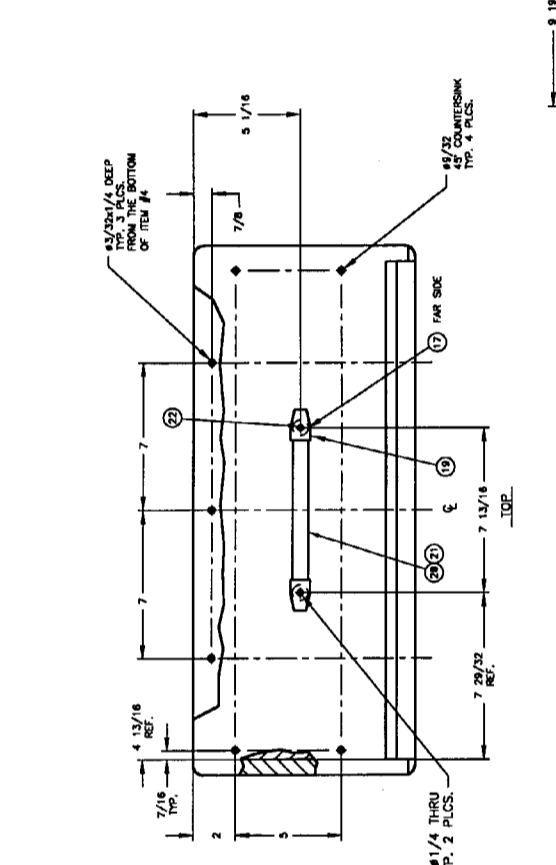
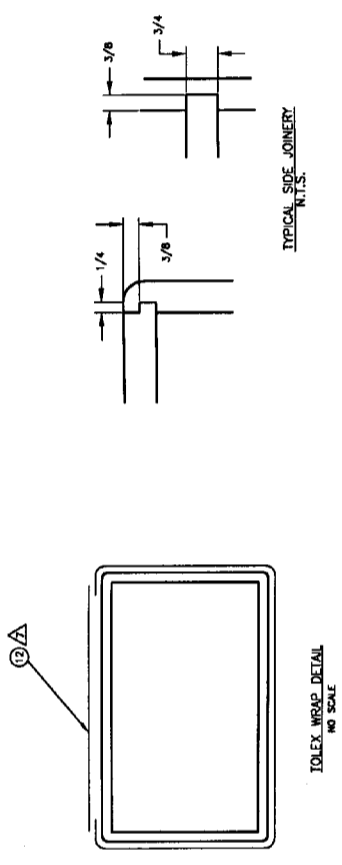
COPYRIGHT - 2000 - FENDER MUSICAL INSTRUMENTS CORP.
 - 3 - SAMPLES OF FIRST PARTS MUST BE APPROVED BY FENDER R&D BEFORE STARTING PRODUCTION.
 2. ALL DIMENSIONS ARE IN INCHES.
 1. DO NOT SCALE DRAWING.
 NOTES: UNLESS OTHERWISE NOTED

THIS DOCUMENT CONTAINS INFORMATION OF A PROPRIETARY NATURE TO FENDER MUSICAL INSTRUMENTS AND IS SUBMITTED TO YOU IN CONFIDENCE AND SHALL NOT BE DISCLOSED OR TRANSMITTED TO OTHERS WITHOUT AUTHORIZATION FROM FENDER MUSICAL INSTRUMENTS CORP.



GRILLE BAFFLE ASSEMBLY 00556910011

ITEM QTY.	PART NO.	DESCRIPTION
6	1	00556910015 BLOCK
5	2	00556910014 STRIP 1-1/4x1/4x23-11/32
4	2	00556910013 STRIP 1x1/4x18-3/8
3	22	0021972000 NUT T 10-32x3/4 STR 3 PRNG BLX
2	A/R	0037880000 CLOTH GRILLE BLACK/SILVER
1	1	00556910012 GRILLE BAFFLE 1/2" BALTIC BIRCH 0047933000

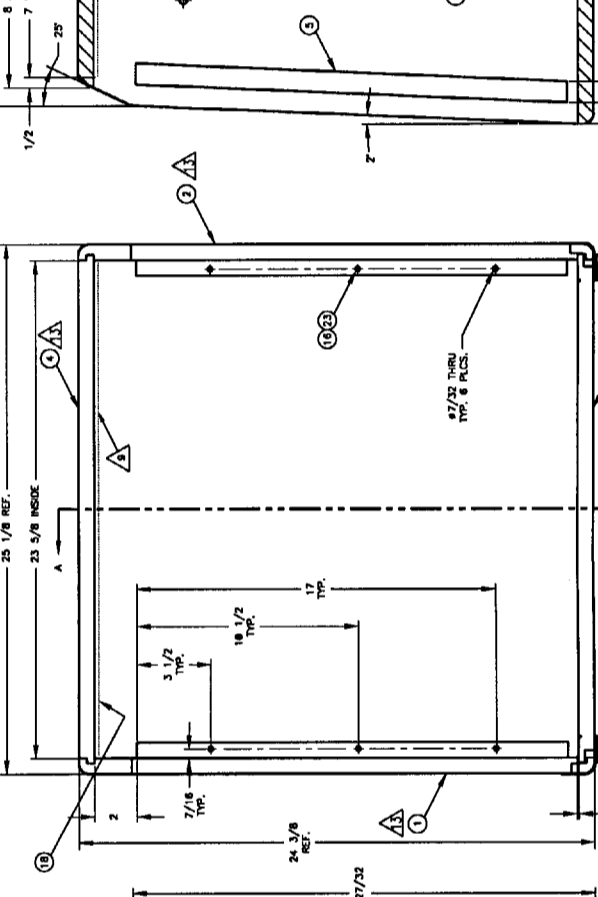
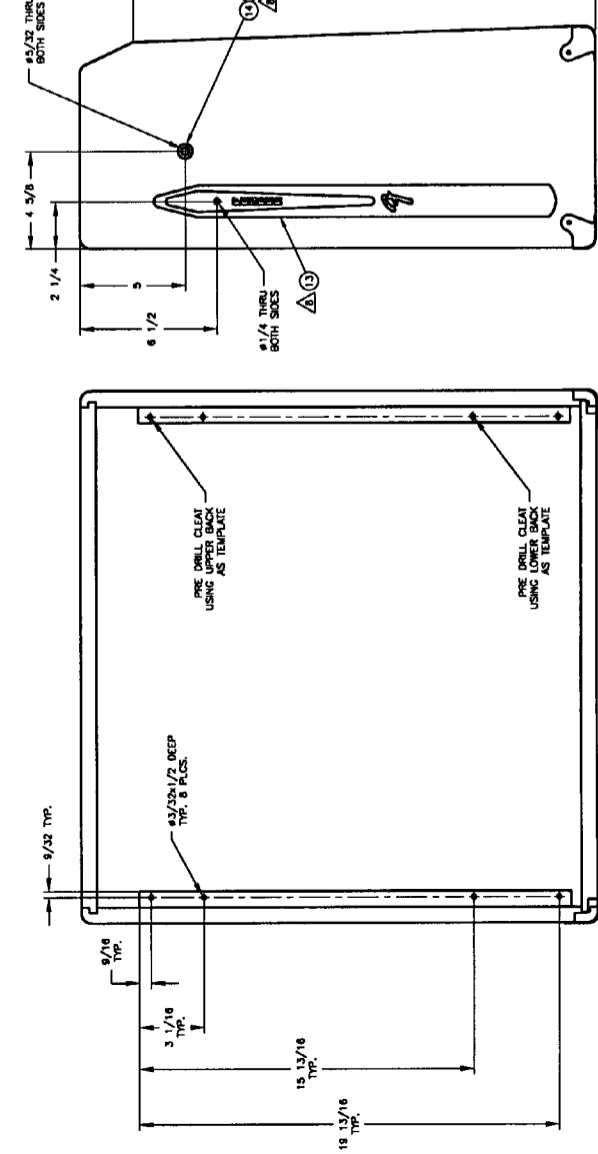


CABINET LOWER BACK ASSEMBLY 00556910009

ITEM QTY.	PART NO.	DESCRIPTION
2	A/R	0026570000 TOLEX BLACK
1	1	00556910008 UPPER BACK BOARD 1/4" PLYWOOD 0027882000

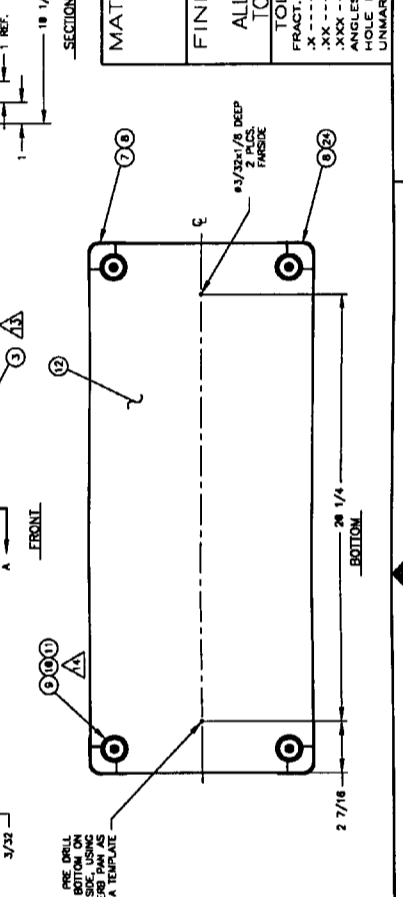
CABINET UPPER BACK ASSEMBLY 00556910007

ITEM QTY.	PART NO.	DESCRIPTION
2	A/R	0026570000 TOLEX BLACK
1	1	00556910010 LOWER BACK BOARD 1/4" PLYWOOD 0027882000



ITEM QTY.	PART NO.	DESCRIPTION
24	2	0032785000 CORNER 2 HOLE NOTCH
23	6	0029527000 WSHR FNISH B-5/8 FLNGD BLX WK
22	2	0022244000 SCRW M 10-32x1-1/8 OHP NI
21	1	0037790000 HANDLE 9.25" BLACK RIBBED
20	1	0032524000 INSERT HANDLE
19	2	0025395000 HANDLE CAP 1 HOLE NI(DWG17420)
18	A/R	0027640000 TAPE ALUM 5" x 60YDS
17	2	0021972000 NUT T 10-32x3/4 STR 3 PRNG BLX
16	6	0016767000 SCRW M 10-32x1-3/4 OHP BLX
15	2	0031344000 SCRW SMA 10x3/4 OHP NI
14	2	0024646000 WASHER LEG STOP TN
13	2	0024851000 LEG AMP TILT 15"
12	A/R	0026570000 TOLEX BLACK
11	4	0026625000 SCRW WOOD 8x1 FH
10	4	0022483000 INSERT GLIDE CUSHION 1.02 DIA.
9	4	0024653000 GLIDE CABINET NICKEL PLATED
8	4	0037543000 SCRW SHAB 8x3/4 OHPNI
7	2	0024855000 CORNER 2 HOLE W/TAB NI CSK
6	2	00556910005 CLEAT 3/4x1x20-3/8
5	2	00556910005 CLEAT 3/4x1x20-13/32
4	1	00556910004 CABINET TOP
3	1	00556910003 CABINET BOTTOM
2	1	00556910002 CABINET RIGHT
1	1	00556910001 CABINET LEFT

- STAPLE FOIL AT CORNERS AND MIDDLE.
 NOT PART OF THIS ASSEMBLY. LOCATE AS SHOWN.
 APPLY TOLEX IN 2 PIECE VINTAGE STYLE WRAP.
 HOLES DRILLED IN CABINET BEFORE COVERING.
 ALL CORNER RADIUS TO BE 1/2".
 COPYRIGHT - 2000 - FENDER MUSICAL INSTRUMENTS CORP.
 - 3 - SAMPLES OF FIRST PARTS MUST BE APPROVED BY FENDER R&D BEFORE STARTING PRODUCTION.
 ALL DIMENSIONS ARE IN INCHES.
 DO NOT SCALE DRAWING.
 NOTES: UNLESS OTHERWISE NOTED



ASSEMBLY

ITEM QTY.	PART NO.	DESCRIPTION
3	1	00556910003 CABINET TOP
2	1	00556910002 CABINET RIGHT
1	1	00556910001 CABINET LEFT

ENGINEER: ULRICH
 DRAWN: WIELOPOLSKA
 DATE: 3/22/2000

DATE: 3/22/2000
 DFT: 3/22/2000
 APPROVED: M. ULRICH
 DATE: 10/27/2000

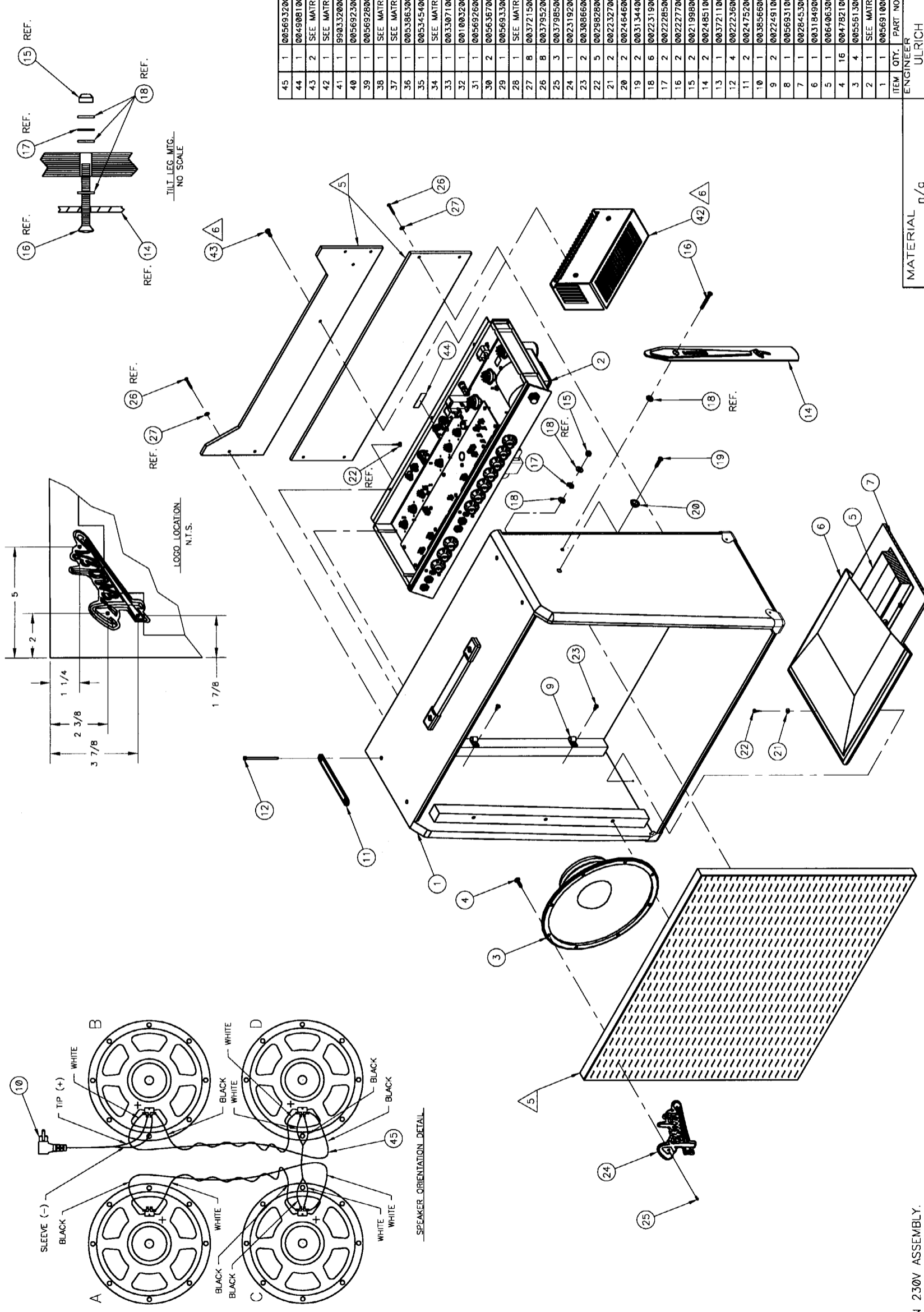
TITLE: CABINET ASSEMBLY SUPER REVERB
 FENDER MUSICAL INSTRUMENTS CORP. CORONA, CALIFORNIA U.S.A.

SHEET: 1/1
 SCALE: N/A

DRAWING NUMBER: 00556910000

THIS DOCUMENT CONTAINS INFORMATION OF A PROPRIETARY NATURE TO FENDER MUSICAL INSTRUMENTS CORP. IT IS TO BE KEPT CONFIDENTIAL AND NOT REPRODUCED OR TRANSMITTED TO OTHERS WITHOUT AUTHORIZATION FROM FENDER MUSICAL INSTRUMENTS CORP.

REV. A PR 469 JR 08/07/2000



(N.S.) = NOT SHOWN

45	1	0056932000	WIRE SET SPKR SUPER REVERB
44	1	0049081000	LABEL SERIAL (CORONA)
43	2	SEE MATRIX	SCRW M10-32x1/2 THP NI
42	1	SEE MATRIX	TUBE COVER SUPER REVERB
41	1	9903320000	BAG POLY ZIP 10x13 2M (N.S.)
40	1	0056923000	SVC DIAG COMB SUPER REVERB (N.S.)
39	1	0056928000	MANUAL OWNERS SUPER REVERB (N.S.)
38	1	SEE MATRIX	LABEL CSA NRTL/C (N.S.)
37	1	SEE MATRIX	REGISTRATION CARD (N.S.)
36	1	0053863000	TAG HANG GROOVE TUBE (N.S.)
35	1	0053454000	STICKER BUMPER FEND SINCE 1946 (N.S.)
34	1	SEE MATRIX	TAG WARRANTY 5 YR FENDER (N.S.)
33	1	0033071000	TAG HANG 100% TUBE CIRCUIT (N.S.)
32	1	0010032000	BAG POLY BOX BTM 23x17x40 (N.S.)
31	1	0056926000	CARTON SUPER REVERB (N.S.)
30	2	0056367000	FOAM CORNER 63/4x63/4x21/2 THICK (N.S.)
29	1	0056933000	LABEL TUBE SUPER REVERB (N.S.)
28	1	SEE MATRIX	CORD PWR W/EC CONN (N.S.)
27	8	0037215000	WSHR C'SNK #6 NI
26	8	0037952000	SCRW SMA 6x1 OHP NI
25	3	0037985000	SCRW SMA 2x3/8 PHP BLX
24	1	0023192000	NAMEPLATE FENDER 65 TWIN
23	2	0030866000	SCRW SMA 8x1/2 PHP NI
22	5	0029828000	SCRW PB 8x3/4 PHP ZI
21	2	0022327000	WSHR FLAT 8x7/16 NI
20	2	0024646000	WASHER LEG STOP TN
19	2	0031344000	SCRW SMA 10x3/4 OHP NI
18	6	0022319000	WSHR FLAT 1/4x9/16 NI
17	2	0022285000	WSHR SP LOCK 1/4x4.93 ZI
16	2	0022277000	SCRW M10-32x1-1/2 OHP NI
15	2	0021998000	NUT FLEX LOCK 10-32 W/NYLON INSERT
14	2	0024851000	LEG AMP TILT 19°
13	1	0037211000	FTSW VIB/REV (099-4058-000) (N.S.)
12	4	0022236000	SCRW M8-32x3-1/4 OHP NI CONE
11	2	0024752000	STRAP CHASSIS 4-1/2" NI
10	1	0038566000	CABLE ASSY SPKR RT 13-1/2
9	2	0022491000	CLAMP CABLE NYL SCRW MNT
8	1	0056931000	CABLE REVERB 48" RIGHT ANGLE (N.S.)
7	1	0028453000	PAD CARDBOARD REVERB
6	1	0031849000	REVERB BAG
5	1	0064063000	REVERB UNIT 4 SPRING 4AB3C1B
4	16	0047821000	SCRW M10-32 3/4 THP STL BLX
3	4	0055613000	SPEAKER 10" 8 OHM JENSEN
2	1	SEE MATRIX	CHASSIS ASSY SUPER REVERB
1	1	0056910000	CABINET ASSY SUPER REVERB

ENGINEER: ULRICH
 DRAWN: WIELOPOLSKA
 DATE: 7/5/2000
 DWT: ENG. DATE: 7/5/2000
 DATE: 7/5/2000
 APPROVED: M. Durica
 DATE: 08-08-00

MATERIAL: n/c
 FINISH: n/c

TITLE: FENDER MUSICAL INSTRUMENTS CORP. CORONA, CALIFORNIA U.S.A.
 END ITEM: SUPER REVERB
 DRAWING NUMBER: 021760000
 REV. A

SHEET: 1/1
 SCALE: N/A

43	SCRW	N/A	0016006000	0016006000	N/A	N/A	N/A
42	TUBE COVER	N/A	0056927000	0056927000	N/A	N/A	N/A
37	LABEL CSA NRTL/C	0050712000	N/A	N/A	N/A	N/A	N/A
37	REGISTRATION CARD	0054387000	N/A	N/A	N/A	N/A	N/A
37	TAG WARRANTY	0053412000	N/A	N/A	N/A	N/A	N/A
23	CORD	0047249000	0047251000	0047250000	0047250000	0053997000	0053997000
2	CHASSIS ASSEMBLY	0056911000	0056912000	0056913000	0056914000	0056915000	0056915000
2	CHASSIS ASSY.	SUPER REVERB 1.20V DOM. 230V EUR. 230V U.K. 240V AUST. 100V JPN.	SUPER REVERB 1.20V DOM. 230V EUR. 230V U.K. 240V AUST. 100V JPN.	SUPER REVERB 1.20V DOM. 230V EUR. 230V U.K. 240V AUST. 100V JPN.	SUPER REVERB 1.20V DOM. 230V EUR. 230V U.K. 240V AUST. 100V JPN.	SUPER REVERB 1.20V DOM. 230V EUR. 230V U.K. 240V AUST. 100V JPN.	SUPER REVERB 1.20V DOM. 230V EUR. 230V U.K. 240V AUST. 100V JPN.

NOTES: UNLESS OTHERWISE NOTED

USED ONLY ON 230V ASSEMBLY.
 PART OF CABINET ASSEMBLY (0056910000).
 COPYRIGHT - 2000 - FENDER MUSICAL INSTRUMENTS CORP.
 3. - 3 - SAMPLES OF FIRST PARTS MUST BE APPROVED BY FENDER R&D BEFORE STARTING PRODUCTION.
 2. ALL DIMENSIONS ARE IN INCHES.
 1. DO NOT SCALE DRAWING.
 NOTES: UNLESS OTHERWISE NOTED