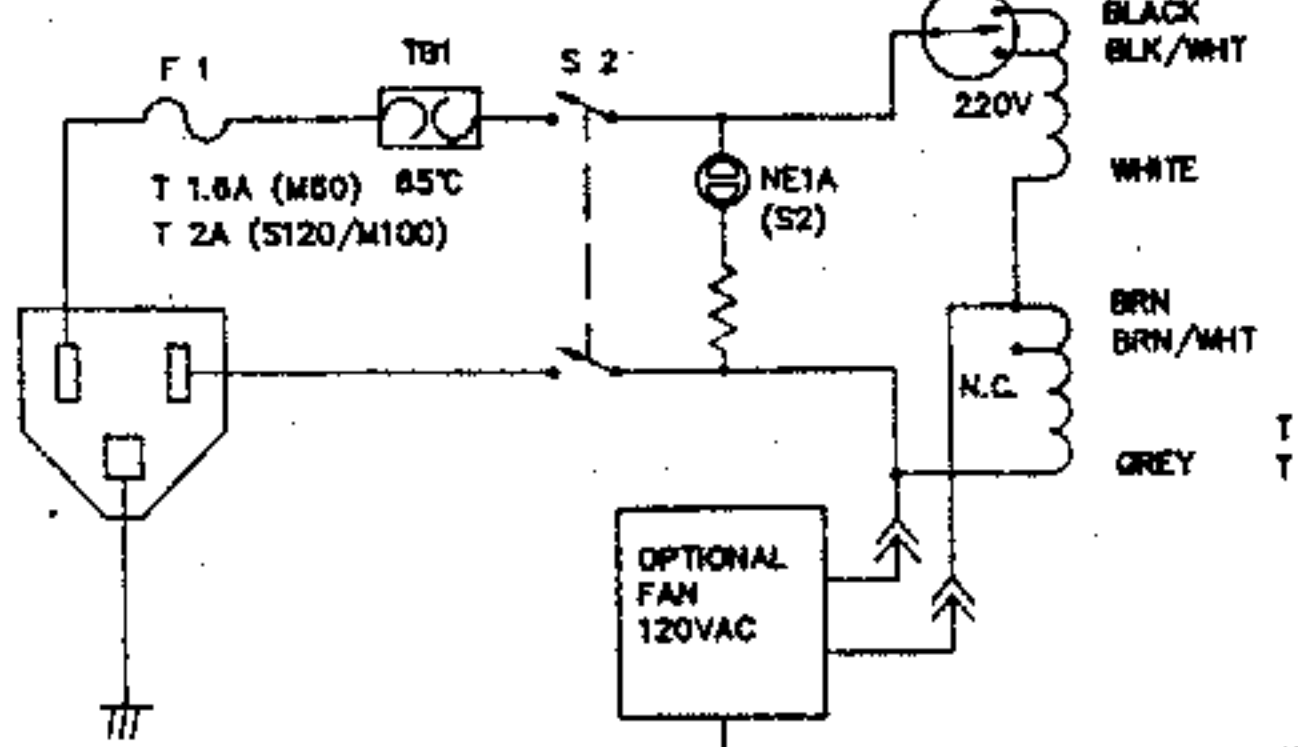
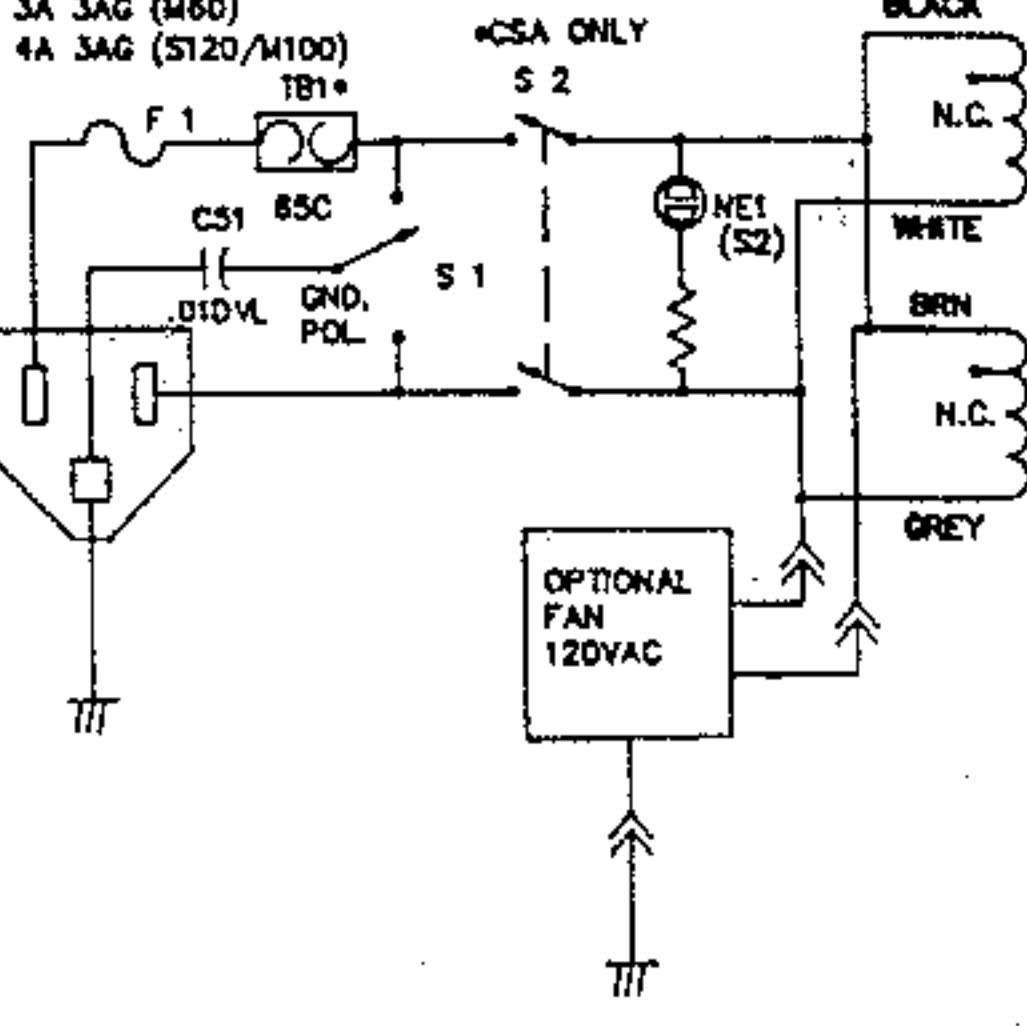


- NOTES:
1. ALL COUPLING CAPACITORS MPC TYPE
  2. ALL POWER SUPPLY FILTER CAPS 105C TYPE
  3. WIRE TYPE FOR B+ AND FILAMENTS 105C, TEFLON PREFERRED
  4. ALL TRIODES 12AX7A TYPE
  5. ALL POWER TUBES SHOULD BE REPLACED IN TESTED PAIRS
  6. OBSERVE DIFFERENT GROUND POTENTIALS
  7. DISCHARGE ALL POWER SUPPLY POINTS BEFORE SERVICING
  8. ALL MEASUREMENTS TAKEN AT NOMINAL MAINS VOLTAGE
  9. ALL MEASUREMENTS  $\pm 20\%$
  10. TEST SIGNAL 1KHz, 25 mVAC AT PREAMP INPUT
  11. ADJUST PREAMP FOR 2 VOLTS AC AT TP31/21
  12. SET IMPEDANCE 8 OHM (OR CORRECT LOAD), POWER HIGH, POWER CLASS P
  13. SET FOCUS AND PRESENCE CONTROLS AT 1
  14. BIAS: -37VDC EL-34, -47 6L6GC, -52VDC 6550A
  15. TO USE 6550A IN MONO, CHANGE R318 TO 27K
  16. TO USE 6550A OR 6L6GC IN S120, CHANGE R318 TO 27K, R56 TO 100 OHMS.
  17. NEVER USE CHINESE OUTPUT TUBES, MECHANICALLY UNSTABLE.
- TEST POINT AC SIG.VOLT. DC VOLT.
- |           |      |                         |
|-----------|------|-------------------------|
| TP21/TP31 | 2.0V | 0                       |
| TP22/TP32 | 1.5V | 28V                     |
| TP23/TP33 | 21V  | 240V                    |
| TP24/TP34 | 21V  | 240V                    |
| TP25/TP35 | 21V  | -BIAS                   |
| TP26/TP36 | 21V  | -BIAS                   |
| TP27      | 0    | 400V (430V RDL)         |
| TP28      | 0    | 370V (S120) 365V (MONO) |
| TP37      | 60   | 0                       |
| TP38      | 0    | -63V                    |
| TP39      | 0    | 23V                     |
| TP40      | 0    | -23V                    |

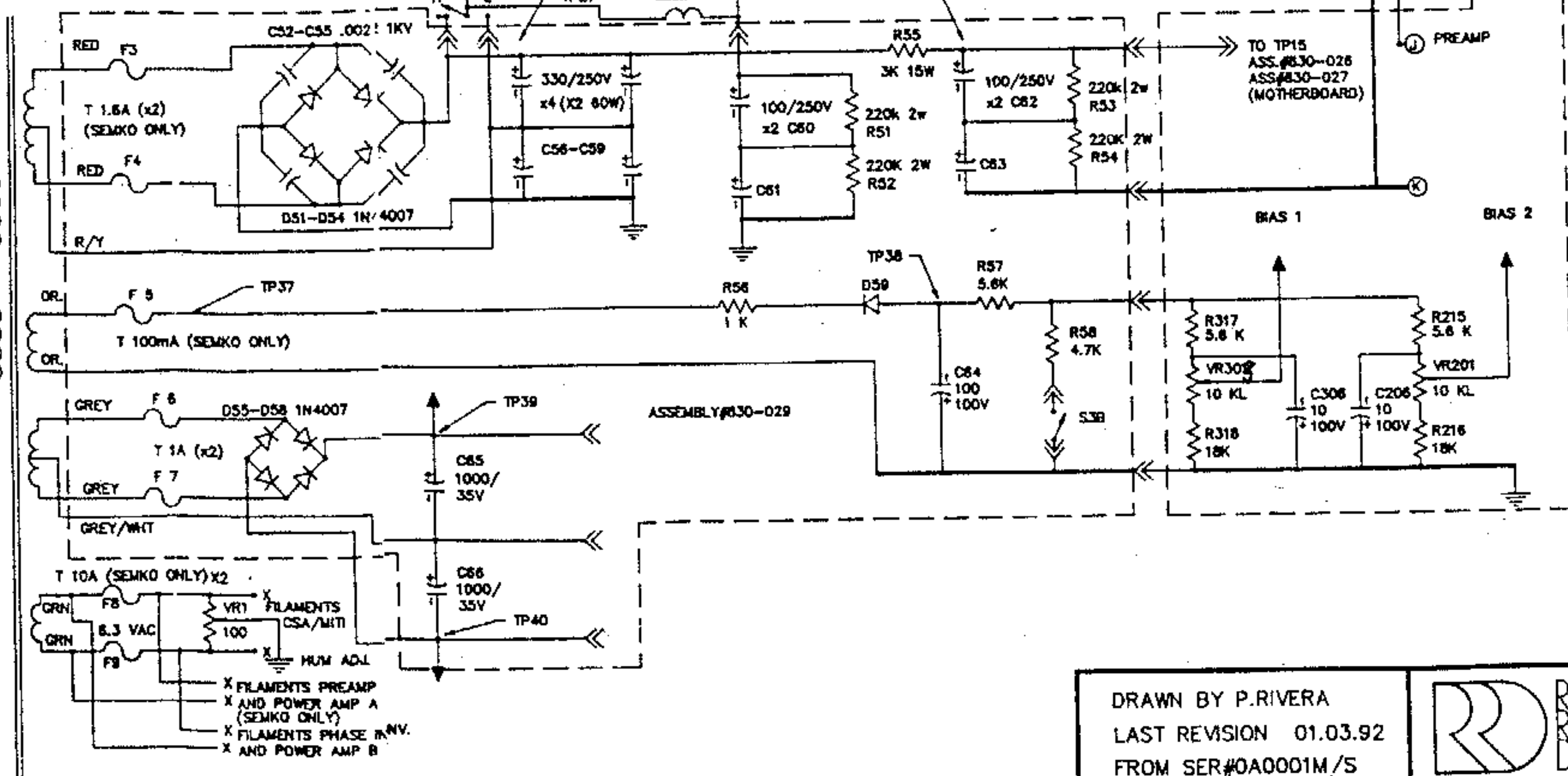
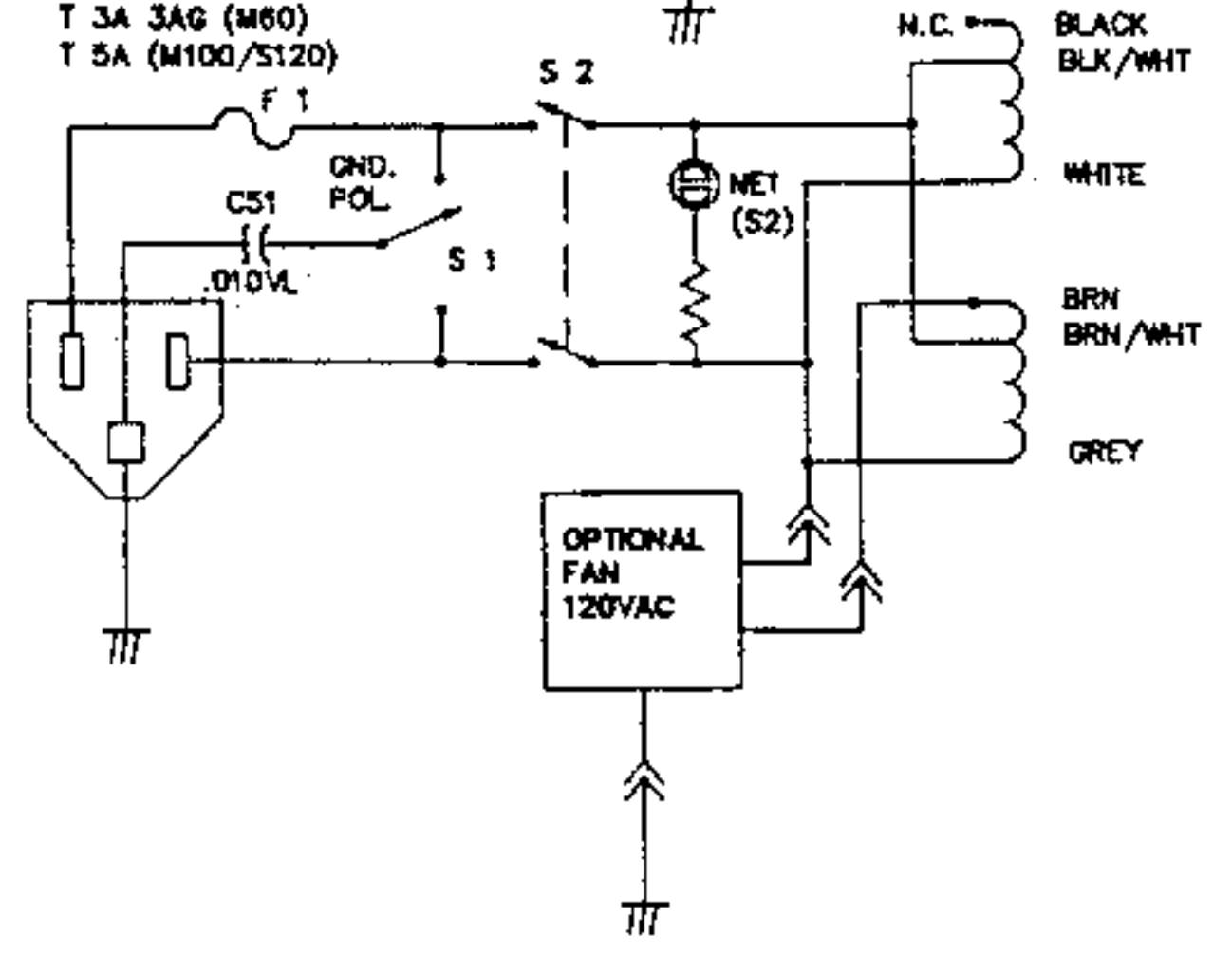
SEMKO/VDE 220/240 VAC



CSA 120 VAC



MITI 100 VAC



T1 109-001 (CSA/VDE/MITI), 109-006 (SEMKO)

DRAWN BY P.RIVERA  
 LAST REVISION 01.03.92  
 FROM SER#0A0001M/S

POWER SUPPLY/POWER AMP  
 M60/M100/S120 MODELS