

ROC PRO 1000

HEAD p/n 022-6807-000 (120V)
COMBO p/n 022-6808-000 (120V)

SERVICE MANUAL

ROC PRO 1000
(This is the model name for warranty claims)

SERVICE MANUAL

MAY 1996



CONTENTS:

- Notices
- Specifications
- Parts lists:
 - PCB assembly
 - Chassis assembly
 - Cabinet assembly
 - Footswitch assembly
 - Miscellaneous
- Schematics
- Service diagrams

IMPORTANT NOTICE:

The information contained herein is CONFIDENTIAL and PROPRIETARY to Fender Musical Instruments Corp. It is disclosed solely for use by qualified technicians for purposes of equipment maintenance and service. It is not to be disclosed to others without the expressed permission of Fender Musical Instruments Co. All specifications subject to change without notice.

For warranty repair service, only Fender specified part numbers are to be used. It is recommended they also be used for post-warranty maintenance and repair.

Parts marked with an asterick (*) indicate the required use of that specific part. This is necessary for RELIABILITY and SAFETY requirements. **DO NOT USE A SUBSTITUTE!**

A coded naming convention is used in the description of certain parts. The codes and what they mean are as follows:

<u>CAPACITOR CODES</u>		<u>HARDWARE CODES</u>	
CAP AE	= Aluminum Electrolytic	BLX	= Black Oxide
CAP CA	= Ceramic Axial	CR	= Chrome Plated
CAP CD	= Ceramic Disk	HWH	= Hex Washer Head
CAP MPF	= Metalized Polyester Film	M	= Machine Screw
CAP MY	= Mylar	NI	= Nickel Plated
CAP PFF	= Polyester Film/Foil	OHP	= Oval Head Phillips
		PB	= Particle Board
		PHP	= Pan Head Phillips
		PHPS	= Pan Head Phillips Sems
		SMA	= Sheet Metal "A" Point
		SMB	= Sheet Metal "B" Point
		SS	= Stainless Steel
		TF	= Thread Forming
		ZI	= Zinc Plated

RESISTOR CODES

RES CC	= Carbon Comp
RES CF	= Carbon Film
RES FP	= Flame Proof
RES MF	= Metal Film
RES WW	= Wire Wound

SPECIFICATIONS

PARTS LIST

Type	PR 209	
Input impedance:	>1M ohm	
Nominal level:	100mV	
Power output:	69 Watts R.M.S. into 8 ohms @ 5% THD 94 Watts R.M.S. into 4 ohms @ 5% THD	
Effects loop:	Nominal Level; Selectable +4, -7, -16 dBV Output Impedance: 1.2k ohms Input Impedance: 100k ohms	
Dimensions:	Combo	Head
Height:	17.5 inches (44.5 cm)	8.5 inches (21.6cm)
Width:	22.5 inches (56.8 cm)	22.5 inches (56.8 cm)
Depth:	10.25 inches (25.9 cm)	9.5 inches (24.1 cm)
Weight:	41 lbs. (18.6 kg)	25 lbs. (11.4 kg)

PRINTED CIRCUIT BOARD ASSEMBLY

QTY	PART #	DESCRIPTION	REFERENCE DESIGNATION
1	040260	PCB ASSY PERFORMER 1000	(STUFFED)
1	031910	BREAKER THERMAL 15A 155/195DEG	TH1
3	028104	BUTTON PUSH SWITCH BLACK	S1-3
1	028577	CABLE ASSY REVERB 30"	P1-4
2	029719	CABLE FLAT 5 CKT 10"	P9,10
1	037943	CAP AE RDL .33μF 50V 20%	C52
5	038689	CAP AE AX .47μF 100V 20%	C20,22,39,40,44
1	038690	CAP AE AX 1.0μF 100V 20%	C1
3	026517	CAP AE AX 2.2μF 50V 20%	C9,50,76
1	028459	CAP AE RDL 2.2μF 50V 20%	C48
1	028460	CAP AE RDL 4.7μF 50V 20%	C51
1	038692	CAP AE AX 10μF 35V 20%	C62
6	025960	CAP AE AX 22μF 16V 20%	C10,12,38,42,55,61
1	028465	CAP AE RDL 22μF 25V 20%	C56
4	028471	CAP AE RDL 47μF 50V 20%	C53,54,73,74
2	025787	CAP MINI AE 100μF 16V NP	C57,58
2	031756	CAP AE 4700μF 50V 20%	C71,72
1	038873	CAP CA 22pF 100V 5%	C47
1	039256	CAP CA 68pF 100V 5%	C37
3	038699	CAP CA 100pF 100V 5%	C8,23,45
1	038700	CAP CA 390pF 50V 5%	C4
4	038701	CAP CA 470pF 50V 5%	C18,19,31,49
1	038874	CAP CA 560pF 50V 5%	C27
3	039263	CAP CA 1000pF 100V 5%	C7,26,75
1	039264	CAP CA 1500pF 100V 5%	C33
1	039265	CAP CA 2200pF 100V 5%	C43
1	039266	CAP CA 3300pF 100V 5%	C11
2	039268	CAP CA 4700pF 50V 5%	C2,3
3	027278	CAP MPF .1μF 63V 10%	C32,59,60
3	027281	CAP MPF .22μF 63V	C6,16,35
4	027286	CAP MPF .47μF 63V	C5,17,34,63
1	036234	CAP PFF RDL .015μF 100V 10%	C46
6	033591	CAP PFF RDL .033μF 100V 10%	C13,14,15,30,41,64
10	033592	CAP PFF RDL .047μF 100V 10%	C24,25,28,29,65-70
1	027937	CONTROL SNAPIN 2K 15A TAPER	R14 (MID)
3	027940	CONTROL SNAPIN 50K 15A TAPER	R12,13,61 (BASS, TREBLE/CH1)
5	027941	CONTROL SNAPIN 50K B TAPER	R22,54,60,76,85 (VOLUME/CH1,BODY, TREBLE/CH2,EFFECTS MIX,REVERB)
2	027943	CONTROL SNAPIN 50K 30C TAPER	R30,31 (GAIN 1,2)
1	027947	CONTROL SNAPIN 100K 30C TAPER	R57 (VOLUME/CH2)

PARTS LIST

PRINTED CIRCUIT BOARD ASSEMBLY CONTINUED

QTY	PART #	DESCRIPTION	REFERENCE DESIGNATION
42	006260	DIODE 1N4448 SIGNAL BENT	CR1-9,11-24,29-32,35,36,39-42,45-47, 50,51,58-60,62
2	064089	DIODE 1N4003	CR37,38
4	028776 *	DIODE BIAS BYV26D LEAD FORMED CR25-28	
4	029045	DIODE 6A 400V 6A4 LEAD FORMED	CR52-55
1	041261 *	DIODE LM4040DCZ-10 TO-92	CR49
2	027327	DIODE ZENER 1N5234B 6.2V 5%	CR33,34
1	027329	DIODE ZENER 1N5228B 3.9V 5%	CR44
2	028119	DIODE ZENER 1N5353B 5W 16V 5%	CR56,57
1	031017	DIODE ZENER 1N5223B 2.7V 5%	CR43
1	031019	DIODE ZENER 1N5245B 15V 5%	CR48
2	041320	DIODE ZENER 1N5341B 6.2V 5%	CR10,63
12	025802	FSTN TAB MALE .250X.032 PCB MT	CP1-5,7-11,13,14
2	026000	FSTN TAB MALE PCB MT .187X.032	CP6,12
2	025996	FUSE CLIP PCB .250 & 5MM FUSE	XF1
1	039982	FUSE QA 1-1/4X1/4 250V 4AMP	F1 (100V/120V ONLY)
1	020794	FUSE QA 20mmX5mm 250V 2AMP	F1 (220V/230V/240V ONLY)
1	031725	HEATSINK PLATE M-80	(TRANSISTOR MOUNTING)
9	016795	IC DUAL OP AMP TL072	U1-6,8-10
1	028047	IC OP AMP MC1436	U7
4	040903	INSULATOR MICA TO-218	(@ Q11,12,13,14)
1	011028	JACK 1/4 13E	(EXTERNAL SPEAKER JACK)
3	031570	JACK PHONE PCB STEREO PREMIUM	J1,3,5 (INPUT, RETURN, LINE OUT)
2	037036	JACK PHONE PCB MONO CA PREMIUM	J2,4 (SEND, FOOTSWITCH)
47	020888	JUMPER WIRE 22GA .5X.175	W1-47
1	040270	LED RED 5MM ROUND PC MT	LD2
1	040271	LED RED/YELLOW	LD1
1	040259	PCB FAB PERFORMER 1000	(RAW BOARD)
1	025818	RES CF 1/4W 4.7Ω 5%	R163
1	024947	RES CF 1/4W 47Ω 5%	R81
2	024956	RES CF 1/4W 220Ω 5%	R44,45
2	024957	RES CF 1/4W 270Ω 5%	R107,110
2	029604	RES CF 1/4W 300Ω 5%	R15,143
2	029451	RES CF 1/4W 430Ω 5%	R62,67
2	029609	RES CF 1/4W 910Ω 5%	R139,156
9	024965	RES CF 1/4W 1K 5%	R24,46,52,56,71,105,106,111,129
1	028842	RES CF 1/4W 1.1K 5%	R68
1	024967	RES CF 1/4W 1.2K 5%	R66
2	024969	RES CF 1/4W 1.5K 5%	R43,83

PARTS LIST

PRINTED CIRCUIT BOARD ASSEMBLY CONTINUED

QTY	PART #	DESCRIPTION	REFERENCE DESIGNATION
1	029453	RES CF 1/4W 1.6K 5%	R47
4	024971	RES CF 1/4W 2.2K 5%	R21,58,103,104
2	024972	RES CF 1/4W 2.7K 5%	R49,69
5	024973	RES CF 1/4W 3.3K 5%	R29,32,34,42,50
2	024975	RES CF 1/4W 3.9K 5%	R92,117
1	024977	RES CF 1/4W 4.7K 5%	R80
2	028034	RES CF 1/4W 5.1K 5%	R7,73
1	024979	RES CF 1/4W 6.8K 5%	R9
2	025942	RES CF 1/4W 7.5K 5%	R20,28
1	024980	RES CF 1/4W 8.2K 5%	R27
8	024981	RES CF 1/4W 10K 5%	R2,82,128,131,132,141,153,154
1	029539	RES CF 1/4W 13K 5%	R75
2	024985	RES CF 1/4W 15K 5%	R4,6
2	029006	RES CF 1/4W 20K 5%	R108,109
6	024987	RES CF 1/4W 22K 5%	R11,16,25,26,51,59
2	024988	RES CF 1/4W 27K 5%	R93,95
11	024993	RES CF 1/4W 47K 5%	R53,55,89-91,149,150,157,158,164,165
1	028990	RES CF 1/4W 51K 5%	R74
1	026507	RES CF 1/4W 62K 5%	R167
6	024997	RES CF 1/4W 100K 5%	R36,65,72,77,78,122
3	025058	RES CF 1/4W 180K 5%	R17,23,35
5	025059	RES CF 1/4W 220K 5%	R19,63,79,84,166
1	025063	RES CF 1/4W 390K 5%	R171
5	025065	RES CF 1/4W 470K 5%	R64,88,124,168,169
2	028018	RES CF 1/4W 510K 5%	R5,8
2	025067	RES CF 1/4W 680K 5%	R94,125
1	025068	RES CF 1/4W 820K 5%	R142
12	025069	RES CF 1/4W 1M 5%	R1,3,48,86,87,126,130,133,134 136,137,152
3	025073	RES CF 1/4W 1.5M 5%	R148,151,159
3	025084	RES CF 1/4W 10M 5%	R10,18,123
1	041259 *	RES MF 1/4W 73.2K 1%	R145
1	041260 *	RES MF 1/4W 80.6K 1%	R144
1	036202 *	RES MF 1/4W 118K 1%	R146
1	016985 *	RES MF 1/4W 562K 1%	R140
1	040714 *	RES MF 1/4W 768K 1%	R147
3	031767	RES CF 1/2W 15Ω 5%	R70,120,121
1	026549	RES CF 1/2W 1.5K 5%	R162
1	037169	RES CF 1/2W 1.8K 5%	R138
2	026493	RES CF 1/2W 2.7K 5%	R118,155
2	037354	RES CF 1W 4.7K 5%	R101,102

PARTS LIST

PRINTED CIRCUIT BOARD ASSEMBLY CONTINUED

QTY	PART #	DESCRIPTION	REFERENCE DESIGNATION
2	028029	RES FILM 1W 1.5K 5%	R99,100
2	028030	RES FILM 1W 680Ω 5%	R97,98
1	028045	RES FILM 1W 220Ω 5%	R96
1	029722	RES FILM 1W 1K 5%	R127
1	028021	RES FILM 2W 470Ω 5%	R119
4	028028	RES WW BT 5W .47Ω 10%	R112-115
2	037845	RES WW BT 5W 47Ω 10%	R160,161
3	041256	RES WW 5W 470Ω 10%	R37-39
1	031703	RES WW BT 10W .22Ω 10%	R116
2	041276	RES WW BT 10W 100Ω 10%	R172,173
4	027638	SCRW TF 4-40X3/8 HWH ZI	(@ Q11-14)
6	032908	SCRW TF 6-32X3/8 PHP ZI	(PCB TO HEATSINK & TH1)
1	029167	SOCKET TUBE 9 PIN PCB MOUNT	XV1
3	028091	SWITCH PUSH SLFLK SHORT STROKE	S1-3
1	038652	SWITCH SLIDE 4P3T	S4
1	028503 *	THERMISTOR 10 OHM 5AMP C60-11	TH1
1	013341	TUBE VACCUUM 7025/12XAX7	V1
.104	016420	TUBING SHRINK 1-1/2 BLK	(@ V1)
4	028169	WSHR SHLDR NYL 5/32X1/4	Q11-14
2	041465	XSTR FET J113	Q1,2
6	014689	XSTR N-CH JFET J111 TO-92	Q3-8
3	016739	XSTR NPN 2N4401 TO-92	Q9,15,16
1	016742	XSTR PNP 2N4403 TO-92	Q10
2	028114 *	XSTR NPN TIP142 TO-218AC	Q11,12
2	028115 *	XSTR PNP TIP147 TO-218AC	Q13,14

PARTS LIST

CHASSIS ASSEMBLY

QTY	PART #	DESCRIPTION	REFERENCE DESIGNATION
1	050328	CHS ASSY ROC PRO 1000 120V	(COMBO ONLY)
1	050323	CHS ASSY ROC PRO 1000 120V HD	(HEAD ONLY)
1	021709	BUSHING SR .437X.062X13/32 BLK	(@ SPEAKER CABLE)
1	026038	BUSHING SR .625X.062X37/64 BLK	(@ POWER CABLE 100V/120V)
1	010401	BUSHING SR .625X.125X37/64 WHT 230V	(@ POWER CABLE 230V)
1	026116	BUSHING SR .500X.063X7/16 BLK	(@ REVERB CABLE)
1	026527	CABLE ASSY POWER W/.187 TABS	(PWR CABLE 100V/120V ONLY)
1	026528	CABLE ASSY POWER 230V W/.187 TABS	(PWR CABLE 230V EXPORT)
1	036479	CABLE ASSY POWER AUST.W/.187 TABS	(240V AUSTRALIA ONLY)
1	040517	CHS PERFORMER 1000	
1	028560	END BELL XFMR 85W	(@ POWER TRANSFORMER)
1	031726	HEATSINK BAR M-80	(COUPLER TO CHASSIS)
12	019798	KNOB ROTARY SS	
4	028591	NUT ACORN 8-32	(TRANSFORMER MOUNT)
1	050271	PANEL FRONT ROC PRO 1000	(COMBO & HEAD)
1	050272	PANEL REAR ROC PRO 1000	(COMBO ONLY)
1	050376	PANEL REAR ROC PRO 1000 HD	(HEAD ONLY)
1	028937	SCRW TF 6-32X5/8 PHP ZI ROLOK	(PCB TO CHASSIS MOUNT)
1	038900	SCRW TF 6-32X1/4 PHP ZI	(GROUND LUG MOUNT)
5	028500	SCRW TF 8-32X3/4 HWH SLTD ZI	(CHASSIS TO HEATSINK MOUNT)
1	025936	STAND OFF PCB PUSH ON NY 3/8L	(PCB MOUNT)
1	025935	SWITCH POWER DPST	(DOMESTIC ONLY)
1	039287	SWITCH POWER DPST .187 TAB GLOBAL	(EXPORT ONLY)
1	026401	WSHR SHLDR FIB 3/8X5/8	(@ EXTERNAL SPEAKER JACK)
1	027520	WSHR FLAT .380X.630 FIBER	(@ EXTERNAL SPEAKER JACK)
1	029894	WSHR LCK INTL 3/8X.500X.022 NI	(@ EXTERNAL SPEAKER JACK)
4	030007	WSHR LCK INTL 8X.330X.02 ZI	(TRANSFORMER MOUNT)
1	027668	XFMR PWR 120V 85A	(120V DOMESTIC ONLY)
1	039357	XFMR PWR EXP 230V	(100V/230V EXPORT ONLY)

PARTS LIST

CABINET ASSEMBLY

<u>QTY</u>	<u>PART #</u>	<u>DESCRIPTION</u>	<u>REFERENCE DESIGNATION</u>
1	040025	CAB ASSY STAGE 112SE	(COMPLETE COMBO STYLE CABINET)
1	050297	CAB ASSY ROC PRO 1000 HD	(COMPLETE HEAD STYLE CABINET)
1	022491	CLAMP CABLE NYL SCRW MNT 5/16 (@ REVERB CABLE)	
4	026566	CORNER 2 HOLE W/TAB NI	(TOP REAR & BOTTOM FRONT)
2	026568	CORNER 3 HOLE NI	(BOTTOM REAR)
4	029821	EYELET RFLNGD .215 OD X.315 L	(@ REVERB PAN)
4	019276	GLIDE CABINET	(STEEL ONLY)
4	019275	GLIDE CUSHION INSERT	(RUBBER ONLY)
1	050334	GRILLE ROC PRO 1000 COMBO	(COMPLETE GRILLE)
1	050336	GRILLE ROC PRO 1000 HEAD	(COMPLETE GRILLE)
1	027846	HANDLE 9.25" NO LOGO	(RUBBER ONLY. NO INSERT)
1	032524	INSERT HANDLE	(SPRING STEEL)
2	019279	HANDLE CAP 2-3/16 NI	(HANDLE MOUNT)
1	047600	NAMEPLATE LOGO BLACK	
4	050311	NUT 2-56 NYLON INSERT 2CNME-2	(NAMEPLATE LOGO MOUNT)
8	021972	NUT T 10-32X3/4 STR 3 PRNG BLX	(HANDLE/SPEAKER MOUNT)
1	028055	REVERB UNIT 800Ω 8EB2C1B DN	
10	026571	SCRW CORNER MOUNTING	
4	050312	SCRW 2-56X3/8 FHP NI	(NAMEPLETE LOGO MOUNT)
6	036199	SCRW M 8-32X1-3/16 OHP BLX WX	(CHASSIS MOUNT)
5	029828	SCRW PB 8X3/4 PHP ZI	(REVERB PAN/CABLE CLAMP MNT)
4	026625	SCRW WOOD 8X1 FH	(GLIDE MOUNT)
6	011678	SCRW SMA 8X1-1/2 OHP BLX	(GRILLE MOUNTING)
4	026577	SCRW M 10-32X1 PHP BLX	(SPEAKER MOUNT)
4	022244	SCRW M 10-32X1-1/8 OHP NI	(HANDLE MOUNT)
1	040598	SPEAKER 12" 8 OHM 80 WATTS	
6	050317	STANDOFF RUBBER .75 DIA.X .77	(GRILLE MOUNTING)
1.061	026570	VINYL BLACK LT WEIGHT	
12	029527	WSHR FNSH 8-5/8FLNGO BLX WX	(CHASSIS / GRILLE MOUNT)

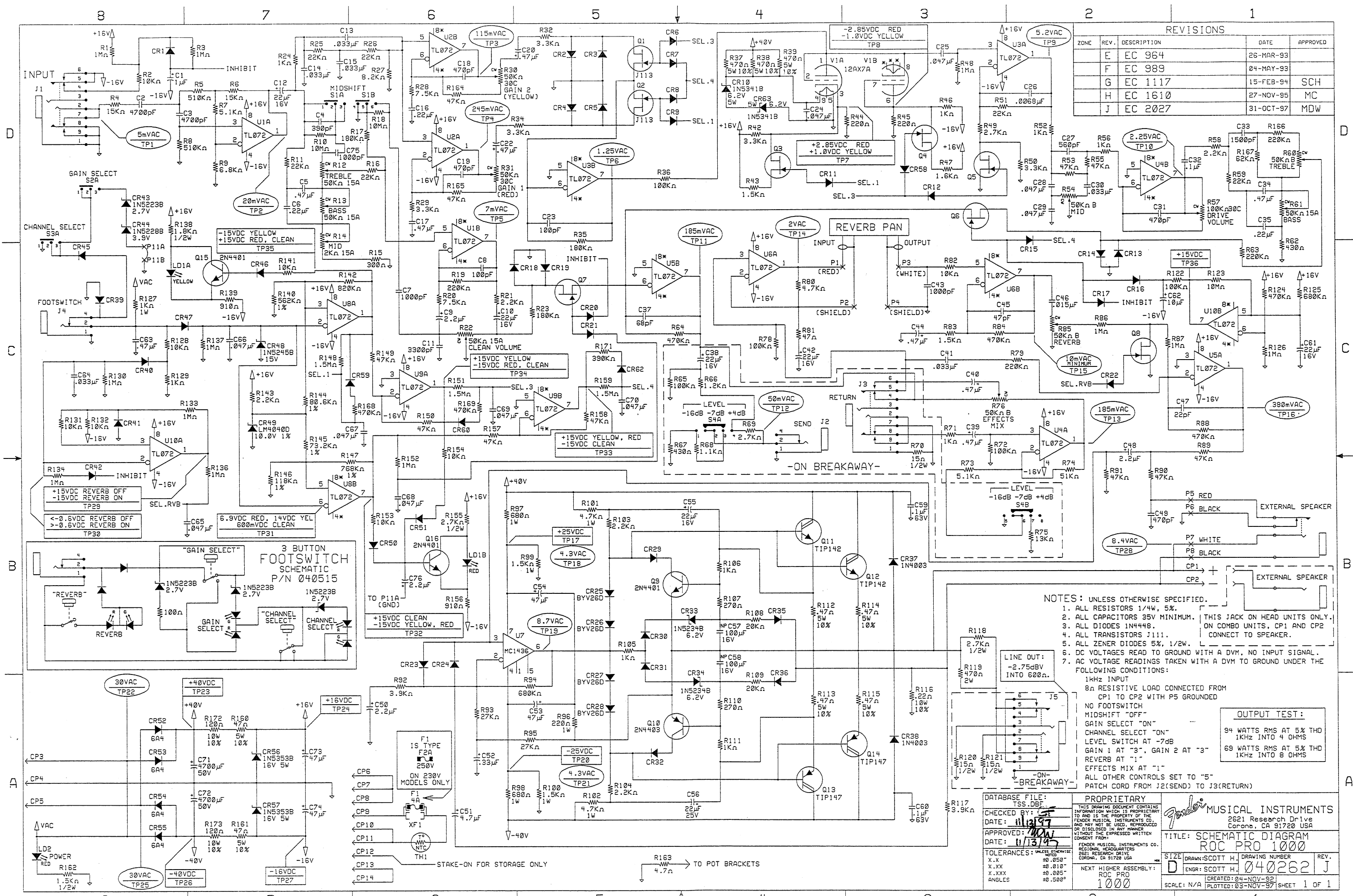
PARTS LIST

FOOTSWITCH ASSEMBLY

<u>QTY</u>	<u>PART #</u>	<u>DESCRIPTION</u>	<u>REFERENCE DESIGNATION</u>
1	040409	FTSW ASSY 3 BTTN CH/GA/RV	(COMPLETE FOOTSWITCH)
1	028895	CABLE ASSY FTSW RT ANG 12'	(FOOTSWITCH CABLE)
2	006260	DIODE 1N4448 SIGNAL BENT	CR2,3
3	031017	DIODE ZENER 1N5223B 2.7V 5%	CR1,4,5
1	028109	HSG END CUP LEFT FTSW	
1	028143	HSG END CUP RIGHT FTSW	
1	028141	HSG FTSW 3 BUTTON	
1	037036	JACK PHONE PCB MONO CA PREMIUM	J1
3	031871	LED BI-COLOR 5mmX5mm	LD1,2,3
1	040514	PCB ASSY FTSW 3 BTTN CH/GA/RV	
1	040513	PCB FAB FTSW 3 BTTN PERFORMER	(RAW BOARD)
1	040408	PLATE TOP FTSW 3 BTTN CH/GA/RV	
1	024952	RES CF 1/4W 100Ω 5%	R1
8	028889	SCRW SMB 6X1/4 PHP	
3	037722	SPACER RND NYL .120X.187X.680	
3	028714	SWITCH PUSH SPDT	S1,2,3
3	031899	WSHR NYL .485X.775X.150 TK	

MISCELLANEOUS

<u>QTY</u>	<u>PART #</u>	<u>DESCRIPTION</u>	<u>REFERENCE DESIGNATION</u>
1	050337	MANUAL OWNERS ROC PRO 1000	
1	050338	SCHEM REDU ROC PRO 1000 W/SERV DIA	



REVISIONS				
ZONE	REV.	DESCRIPTION	DATE	APPROVED
	E	EC 964	26-MAR-93	
	F	EC 989	04-MAY-93	
	G	EC 1117	15-FEB-94	SCH
	H	EC 1610	27-NOV-95	MC
	J	EC 2027	31-OCT-97	MDW

- NOTES: UNLESS OTHERWISE SPECIFIED.
1. ALL RESISTORS 1/4W, 5%.
 2. ALL CAPACITORS 35V MINIMUM.
 3. ALL DIODES 1N4448.
 4. ALL TRANSISTORS J111.
 5. ALL ZENER DIODES 5%, 1/2W.
 6. DC VOLTAGES READ TO GROUND WITH A DVM, NO INPUT SIGNAL.
 7. AC VOLTAGE READINGS TAKEN WITH A DVM TO GROUND UNDER THE FOLLOWING CONDITIONS:
 1kHz INPUT
 8Ω RESISTIVE LOAD CONNECTED FROM CP1 TO CP2 WITH P5 GROUNDED
 NO FOOTSWITCH
 MIDSHIFT "OFF"
 GAIN SELECT "ON"
 CHANNEL SELECT "ON"
 LEVEL SWITCH AT -7dB
 GAIN 1 AT "3", GAIN 2 AT "3"
 REVERB AT "1"
 EFFECTS MIX AT "1"
 ALL OTHER CONTROLS SET TO "5"
 PATCH CORD FROM J2(SEND) TO J3(RETURN)

OUTPUT TEST:
 94 WATTS RMS AT 5% THD
 1KHz INTO 4 OHMS
 69 WATTS RMS AT 5% THD
 1KHz INTO 8 OHMS

DATABASE FILE: TSS.DBF
 CHECKED BY: [Signature]
 DATE: 11/13/97
 APPROVED: [Signature]
 DATE: 11/13/97

TOLERANCES: UNLESS OTHERWISE NOTED
 X.X ±0.050"
 X.XX ±0.010"
 X.XXX ±0.005"
 ANGLES ±0.500°

PROPRIETARY
 THIS DRAWING DOCUMENT CONTAINS INFORMATION WHICH IS PROPRIETARY TO AND IS THE PROPERTY OF THE FENDER MUSICAL INSTRUMENTS CO. AND MAY NOT BE USED, REPRODUCED OR DISCLOSED IN ANY MANNER WITHOUT THE EXPRESSED WRITTEN CONSENT FROM:
 FENDER MUSICAL INSTRUMENTS CO.
 REGIONAL HEADQUARTERS
 2621 RESEARCH DRIVE
 CORONA, CA 91728 USA

FENDER MUSICAL INSTRUMENTS
 2621 Research Drive
 Corona, CA 91728 USA

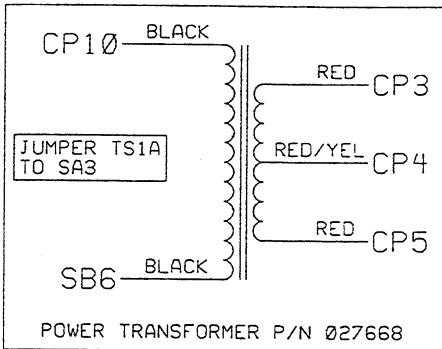
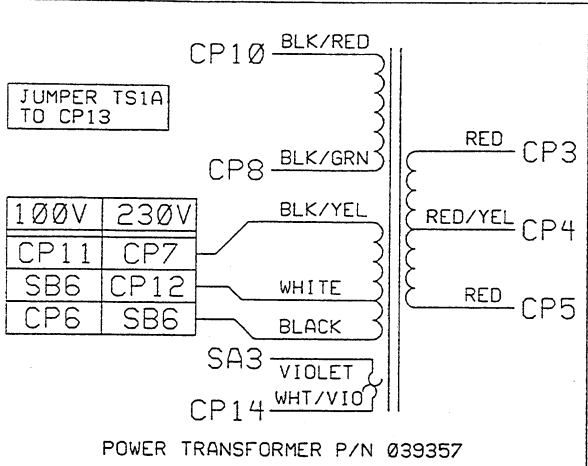
TITLE: SCHEMATIC DIAGRAM
 ROC PRO 1000

SIZE: D
 DRAWN: SCOTT H.
 ENGR: SCOTT H.
 DRAWING NUMBER: 040262 J
 REV. J
 SCALE: N/A
 PLOTTED: 03-NOV-97
 SHEET 1 OF 1

8 7 6 5 4 3 2 1

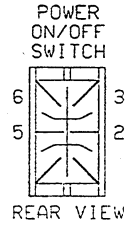
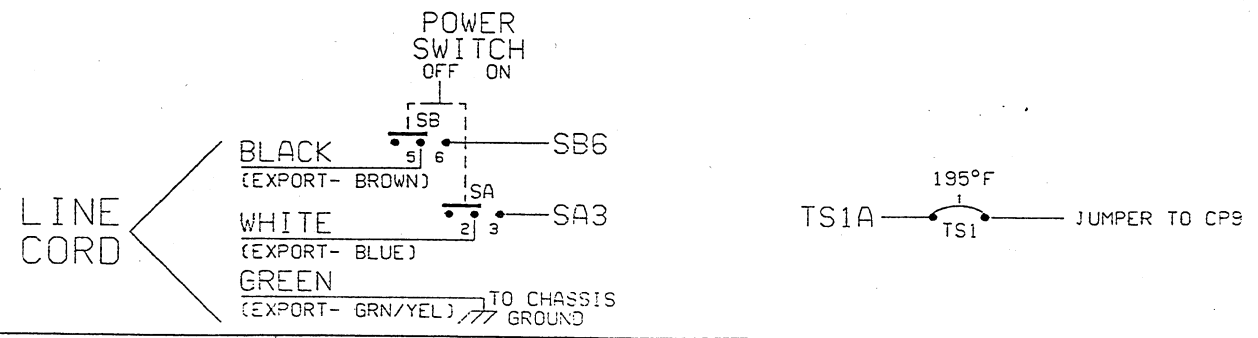
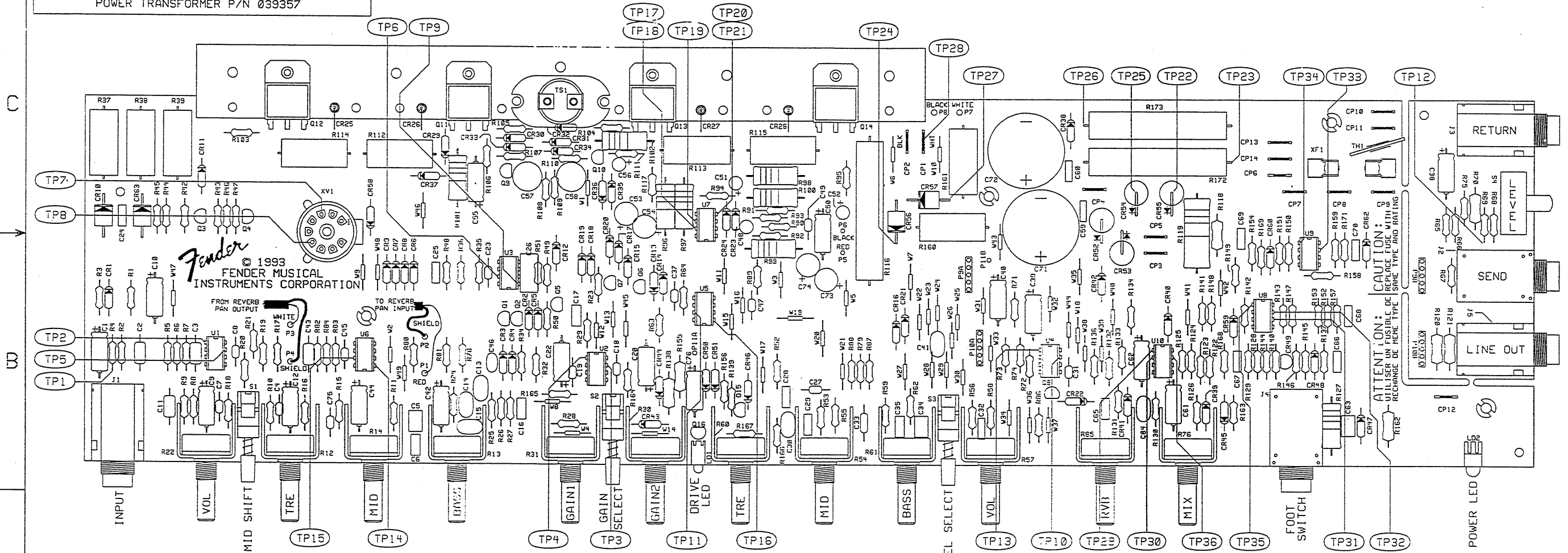
EXPORT MODELS

DOMESTIC MODEL



FILM/DWG: SERVICE DIAGRAM
DATABASE: TSPSER.DBF DATE: 06-FEB-93
LAYERS PLOTTED: 1 2 3 4 10
15 19

REVISIONS				
ZONE	REV.	DESCRIPTION	DATE	APPROVED
	A	PR 315	12-OCT-95	
	B	EC 1610	27-NOV-95	MC
	C	EC 2027	31-OCT-97	MDW



DATABASE FILE: TSPSER.DBF
CHECKED BY: [Signature]
DATE: 11/13/97
APPROVED: [Signature]
DATE: 11/13/97
TOLERANCES: UNLESS OTHERWISE SPECIFIED
X.X ±.25"
X.XX ±.125"
X.XXX ±.0625"
ANGLES ±.020"

PROPRIETARY
THIS DRAWING DOCUMENT CONTAINS INFORMATION WHICH IS PROPRIETARY TO AND IS THE PROPERTY OF THE FENDER MUSICAL INSTRUMENTS CO. AND MAY NOT BE USED, REPRODUCED OR DISCLOSED IN ANY MANNER WITHOUT THE EXPRESSED WRITTEN CONSENT FROM:
FENDER MUSICAL INSTR. CORP.
REGIONAL HEADQUARTERS
2621 RESEARCH DRIVE
CORONA, CA 91270
ROCK ON.

Fender MUSICAL INSTRUMENTS
2621 Research Drive
Corona, CA 91270

TITLE: SERVICE DIAGRAM
ROC PRO 1000

SIZE: D
DRAWN: SCOTT H. J. DRAWING NUMBER: 050339
ENGR: SCOTT H. J. REV. C

CREATED: 22-JAN-93
PLOTTED: 22-NOV-95

SCALE: N/A SHEET 1 OF 1

8 7 6 5 4 3 2 1