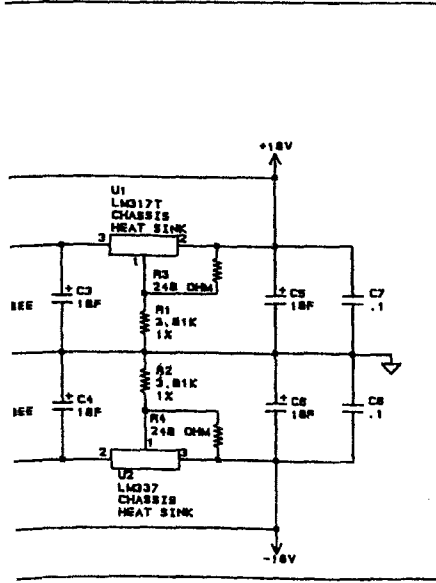
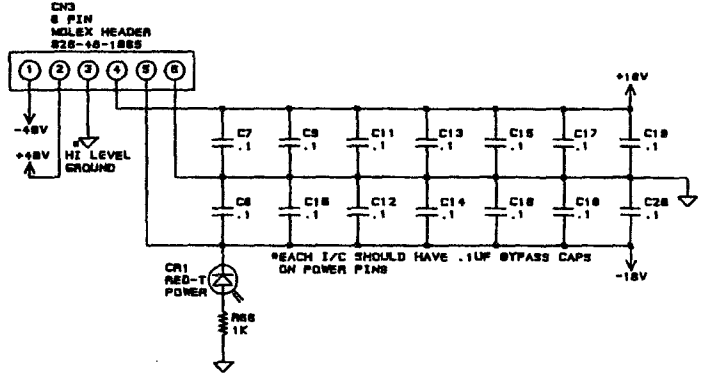


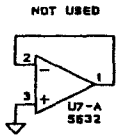
(JUMPER FROM POWER SUPPLY PCB)



LAST USED	
A	88
C	52
D	8
E	18
U	18
HR	1
PM	1
L	2
JA	8
VR	4
DR	1
SW	2

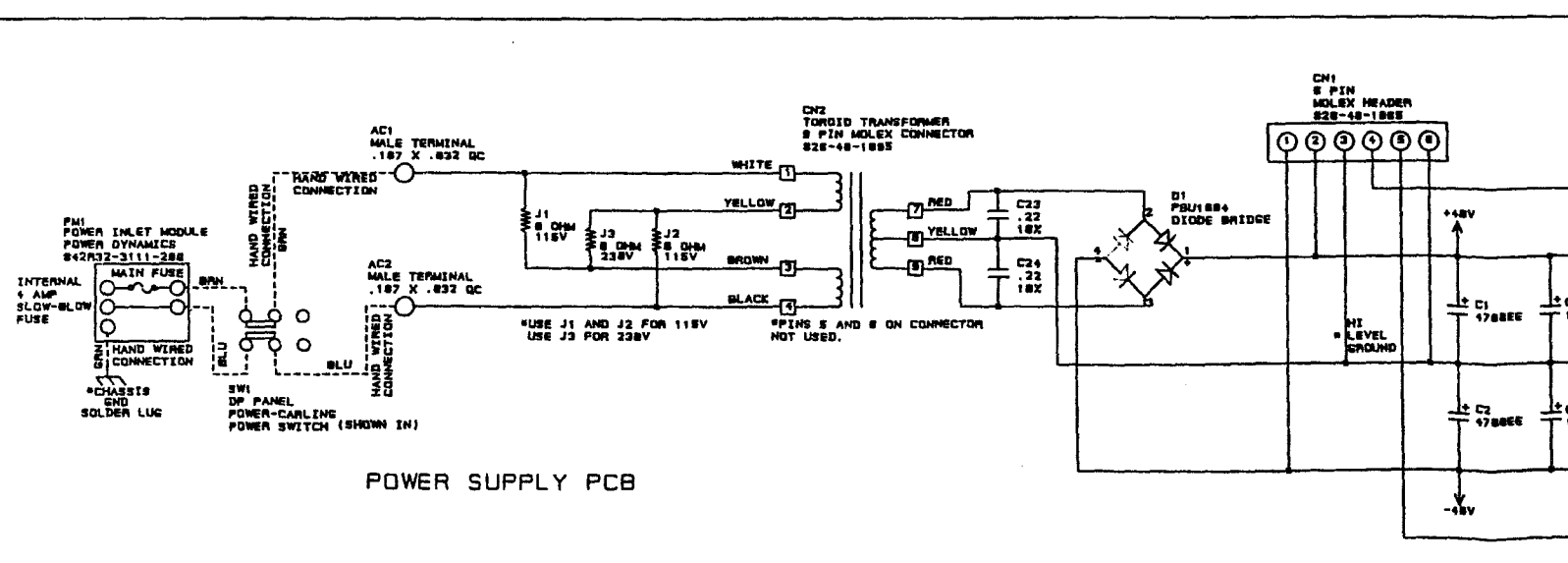
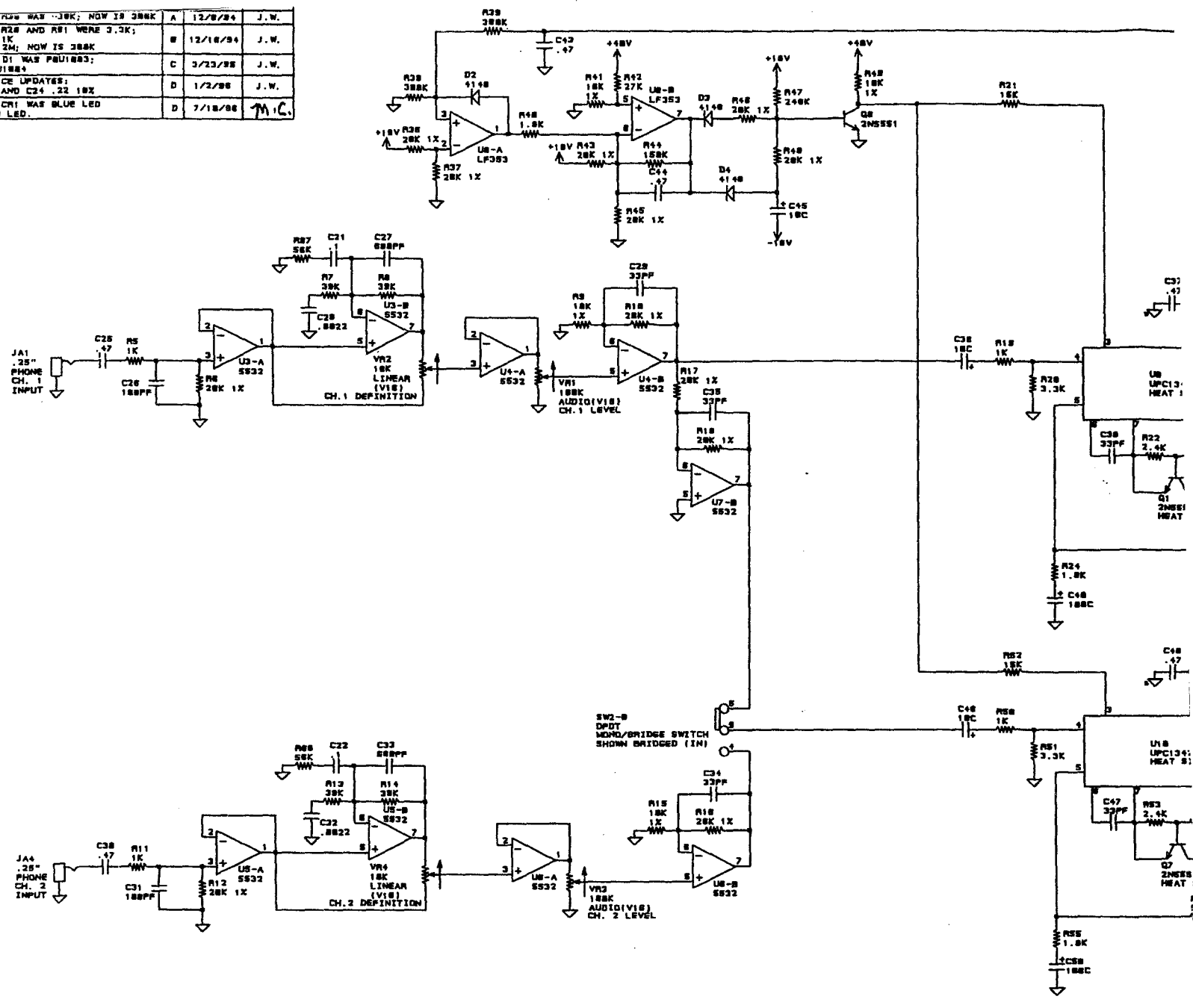
CAPACITOR VOLTAGE CHART	
AA	5.5V
A	6.3V
B	18V
C	18V
D	25V
E	38V
EE	50V
F	80V
G	80V
H	250V

NOTES: UNLESS OTHERWISE SPECIFIED
 1. ALL RESISTORS ARE IN OHMS 1/4W. 5%
 2. ALL CAPACITORS ARE IN MICROFARADS
 3. COMPUTER CODE (8718198D)

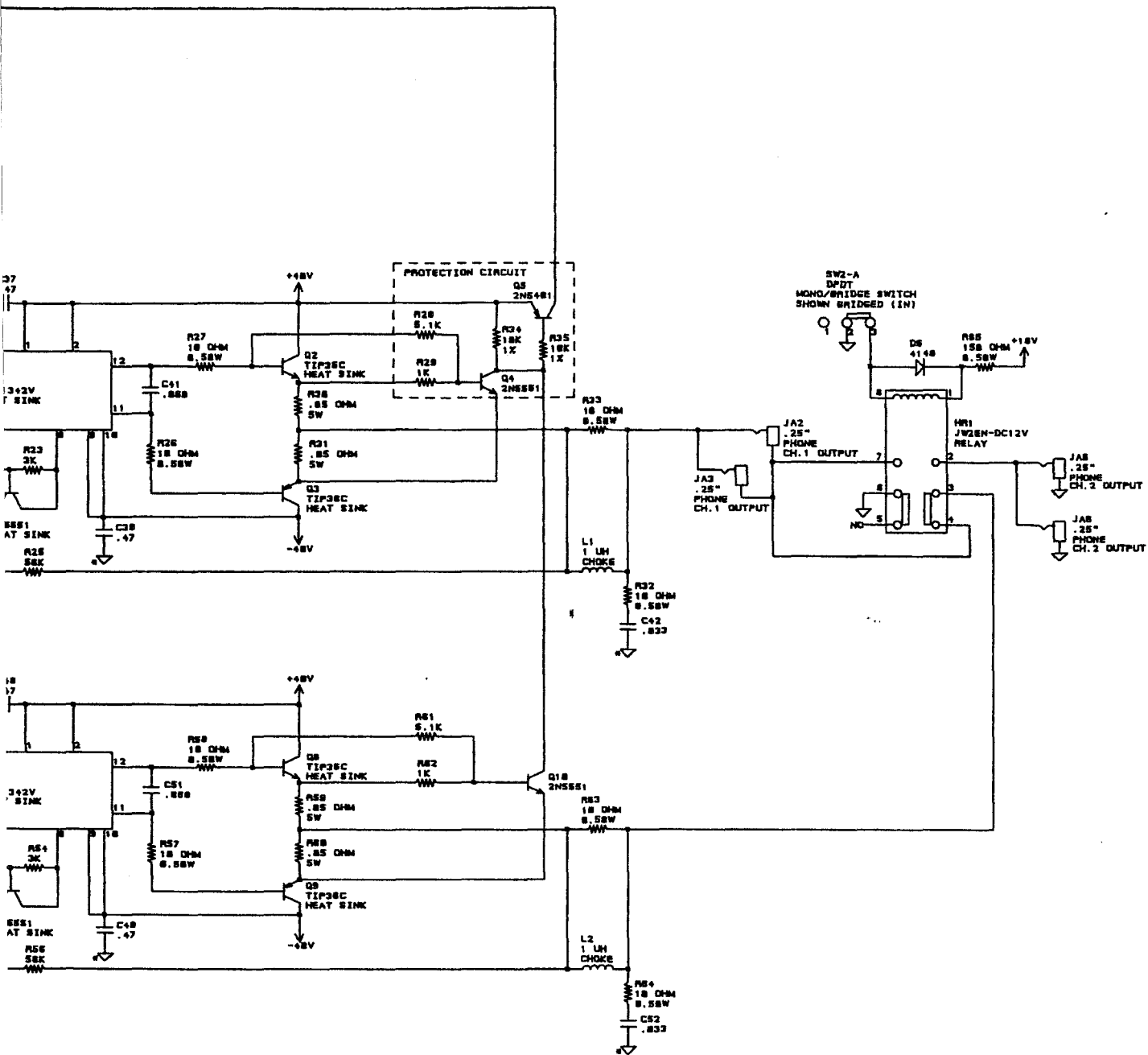


ROCKTRON CORPORATION		
DRAWN: AC	DATE: 5/8/84	SCALE:
CHECK:	CHECK:	REVISED: 1/2/88
ENGR: MC	NO INFORMATION GIVEN HEREIN MAY BE DISCLOSED TO OTHERS WITHOUT PERMISSION FROM ROCKTRON CORPORATION	
APPR:	DRAWING NUMBER:	
VELOCITY 120		071-0100D

1214 - R28 WAS 30K; NOW IS 38K	A	12/8/84	J.W.
1214 - R28 AND R91 WERE 3.3K; R92 5.1K R93 1.2M; NOW IS 38K	B	12/18/84	J.W.
1235 - D1 WAS P81883; S P81884	C	3/23/85	J.W.
1279 - CE UPDATES; C23 AND C24 22 18X	D	1/2/86	J.W.
1388 - CR1 WAS BLUE LED IN RED LED.	D	7/18/86	M.C.

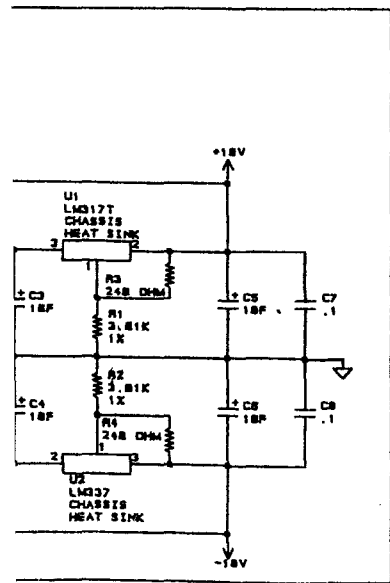
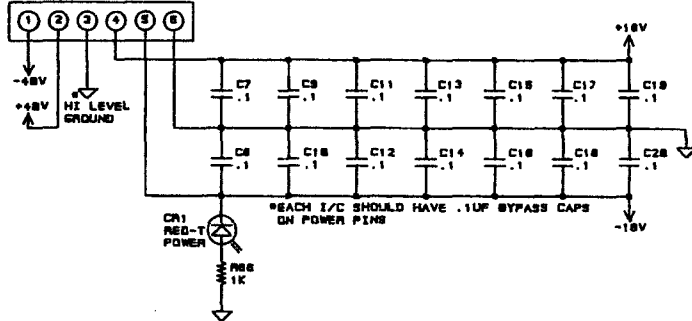


POWER SUPPLY PCB



(JUMPER FROM POWER SUPPLY PCB)

CH3
8 PIN
MOLEX HEADER
828-08-1885

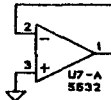


LAST USED	
R	88
C	52
D	5
Q	18
U	18
HW	1
PM	1
L	2
JA	6
VR	1
CR	1
SW	2

CAPACITOR VOLTAGE CHART	
AA	5.5V
A	6.3V
B	10V
C	15V
D	25V
E	35V
EE	50V
F	63V
G	80V
H	100V

NOTES: UNLESS OTHERWISE SPECIFIED
 1. ALL RESISTORS ARE IN OHMS 1/W. SX
 2. ALL CAPACITORS ARE IN MICROFARADS
 3. COMPUTER CODE (8718188D)

NOT USED



ROCKTRON CORPORATION		
DRAWN: AC	DATE: 5/8/84	SCALE:
CHECK: <i>mc</i>	CHECK:	REVISED: 1/2/88
ENGR:	NO INFORMATION GIVEN HEREIN MAY BE DISCLOSED TO OTHERS WITHOUT PERMISSION FROM ROCKTRON CORPORATION	
APPR:	DRAWING NUMBER: 071-0190D	
VELOCITY 120		

REV.	DATE	BY	REASON
A	12/18/84	J.W.	R214- R28 AND R81 WERE 3.3K; R8E 5.1K R8S 1.2M; NOW IS 388K
B	12/18/84	J.W.	R238- D1 WAS PBU1884; IS PBU1884
C	3/23/88	J.W.	C23- CE UPDATES; C23 AND C24 .22 18X
D	1/2/98	J.W.	C38- CR1 WAS BLUE LED W RED LED.

