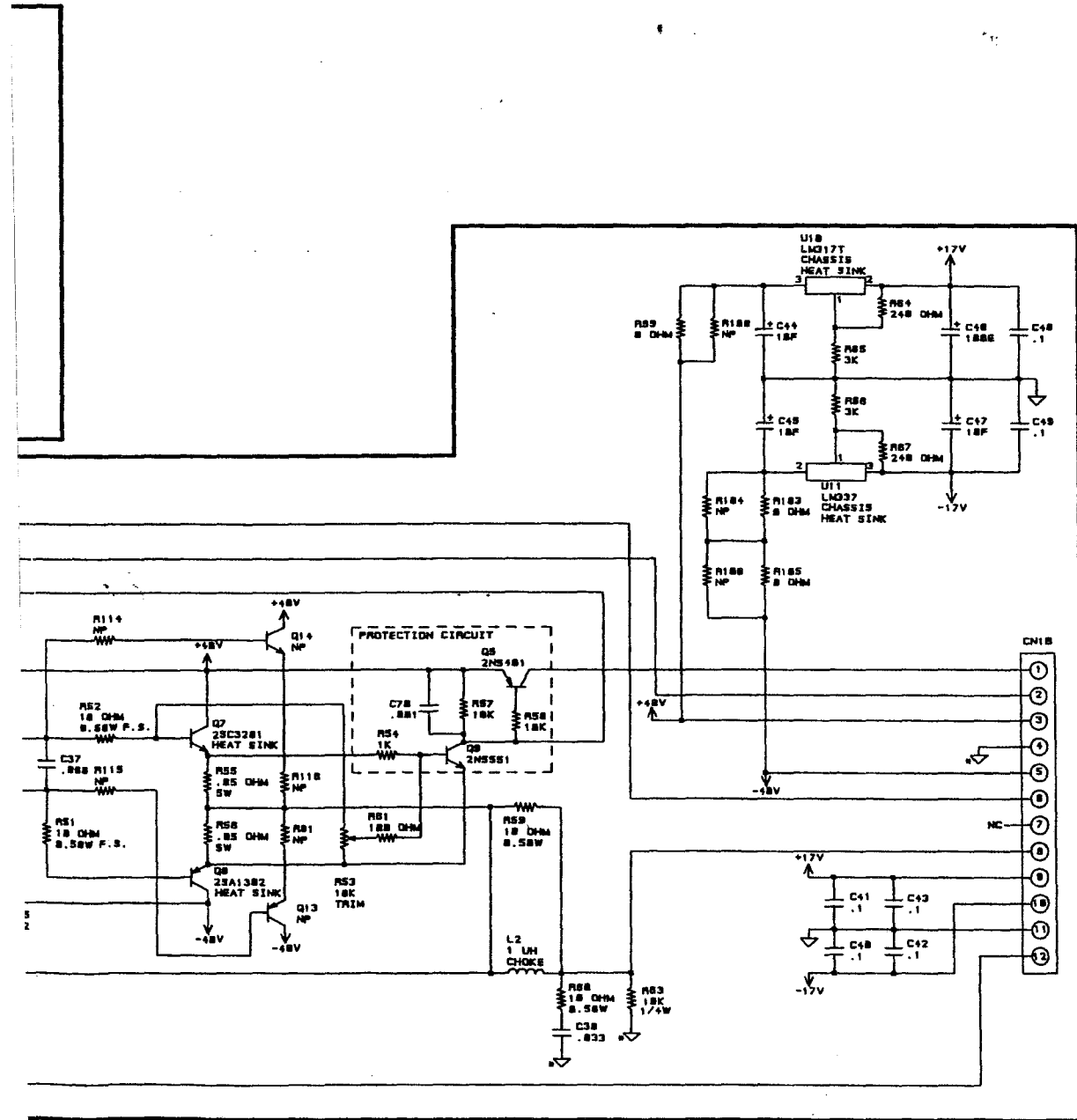


| REVISION | DESCRIPTION | DATE |
|----------|---|------|
| A | Q1 WAS BLUE, NOW IS RED. R24, R25 WERE 1/2W, NOW NO PART. R26 WAS 250K, NOW 10K. R27 WAS 47K, NOW 50K. C26 WAS 470PF, NOW .47UF. C11, C12, C28, C29 WERE .47UF, NOW .22UF 100V. ECN (308 & 309) | 8/7 |
| B | ADDED C78 CHANGED PROTECTION CKT. SO THAT R22 & R23 BECOME 10K TRIM POTS & R24 & R25 BECOME 3K Q1 & Q2 WERE TIP30C NOW ARE 2N3A13B2. Q3 & Q4 WERE TIP30C NOW ARE 2N3C281. ECN (311 & 313). | 8/8 |
| C | ECN88339 R21 AND R24 WERE 3K 1/8W, NOW ARE 100 OHM 1/8W RESISTORS | 2 |



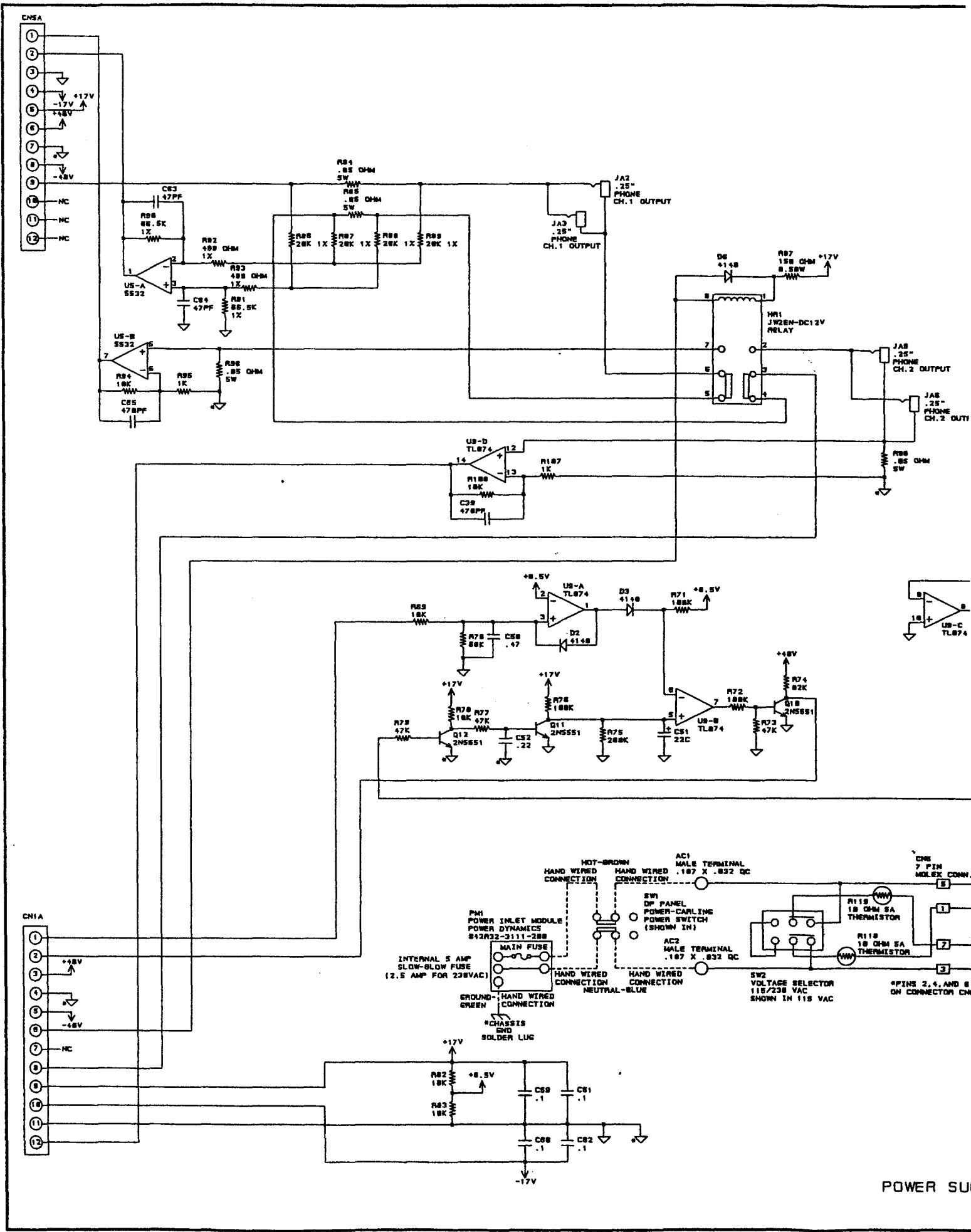
| NOTES: |
|--|
| 1. ALL RESISTORS ARE IN OHMS 1/8W, 5%. |
| 2. ALL CAPACITORS ARE IN MICROFARADS. |
| 3. COMPUTER CODE (871821BC). |

ROCKTRON CORPORATION

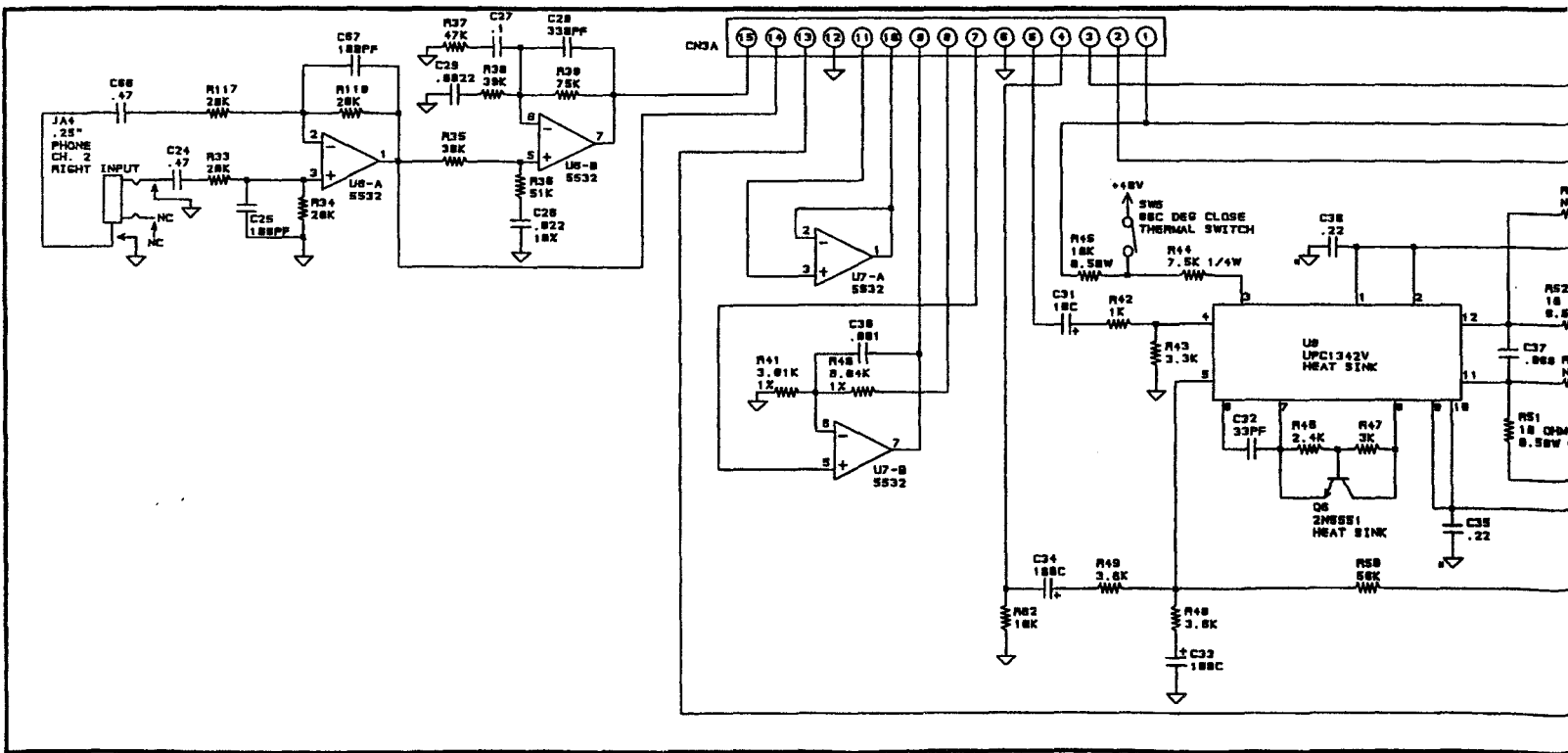
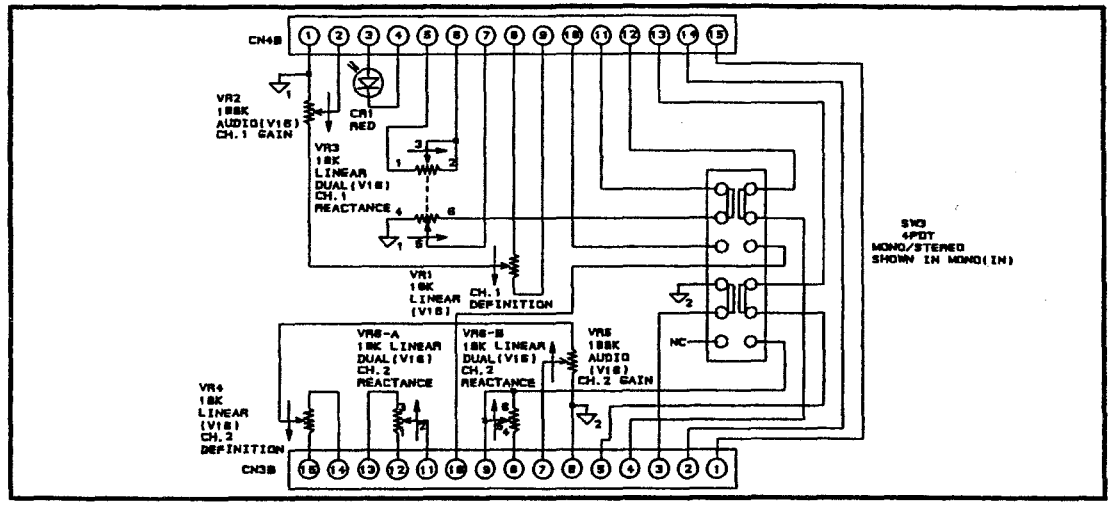
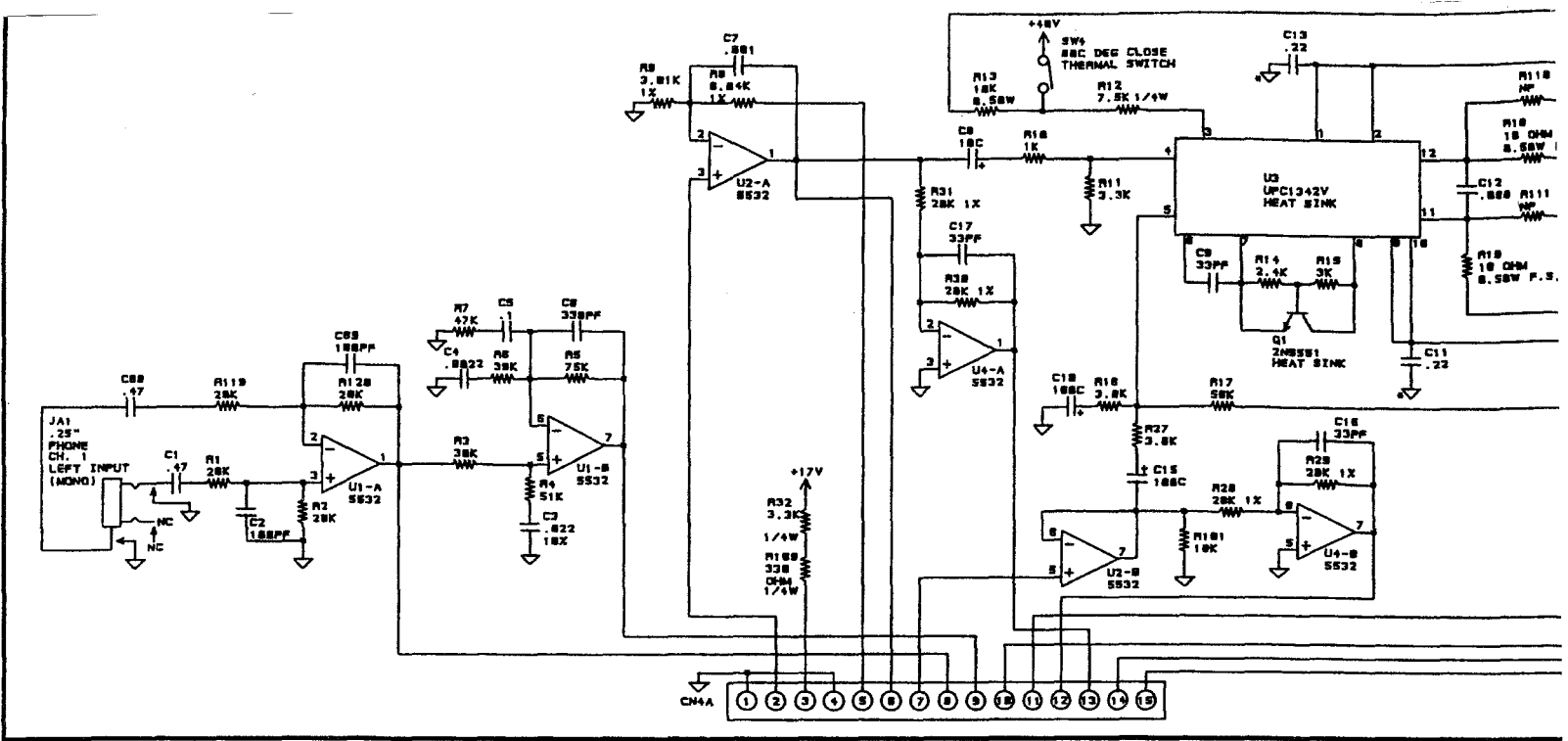
| | | |
|-----------------|--|----------|
| DRAWN: AC | DATE: 3/14/95 | SCALE: |
| CHECK: | CHECK: | REVISED: |
| ENGR: <i>mc</i> | NO INFORMATION GIVEN HEREIN DISCLOSED TO OTHERS WITHOUT PERMISSION FROM ROCKTRON CO. | |
| APPR: | | |

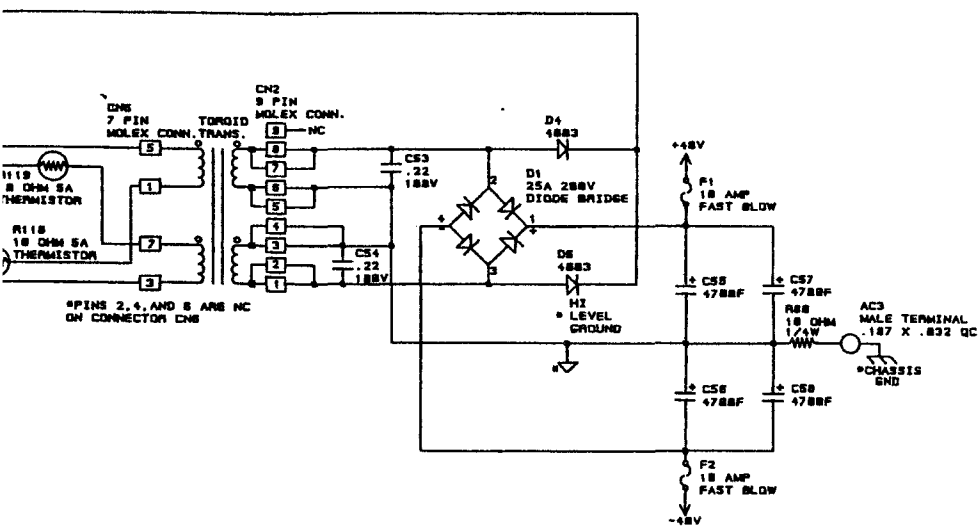
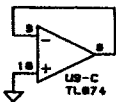
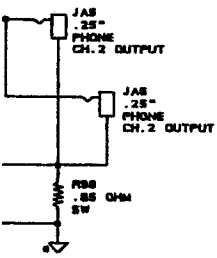
**VELOCITY 250
POWER AMP.**

| |
|---------|
| 071-0 |
| SHEET 1 |



POWER SUP





POWER SUPPLY PCB

| LAST USED | |
|-----------|-----|
| A | 128 |
| C | 89 |
| D | 8 |
| Q | 18 |
| U | 11 |
| HR | 1 |
| PM | 1 |
| L | 2 |
| JA | 8 |
| VR | 8 |
| SW | 8 |
| F | 2 |

| CAPACITOR VOLTAGE CHART | |
|-------------------------|------|
| AA | 5.5V |
| A | 8.3V |
| B | 18V |
| C | 16V |
| D | 25V |
| E | 35V |
| EE | 58V |
| F | 83V |
| E | 88V |

- NOTES: UNLESS OTHERWISE SPECIFIED
 1. ALL RESISTORS ARE IN OHMS 1/8W. 5%
 2. ALL CAPACITORS ARE IN MICROFARADS
 3. COMPUTER CODE (A718218C)

| | | |
|-----------------------------|---|-----------------|
| ROCKTRON CORPORATION | | |
| DRAWN: AC | DATE: 3/14/85 | SCALE: |
| CHECK: | CHECK: | REVISED: 2/3/87 |
| ENGR: <i>mc</i> | NO INFORMATION GIVEN HEREIN MAY BE DISCLOSED TO OTHERS WITHOUT PERMISSION FROM ROCKTRON CORPORATION | |
| APPR: | DRAWING NUMBER: | |
| VELOCITY 250 | | 071-0216C |