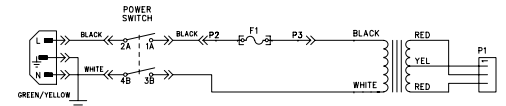
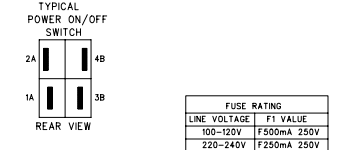
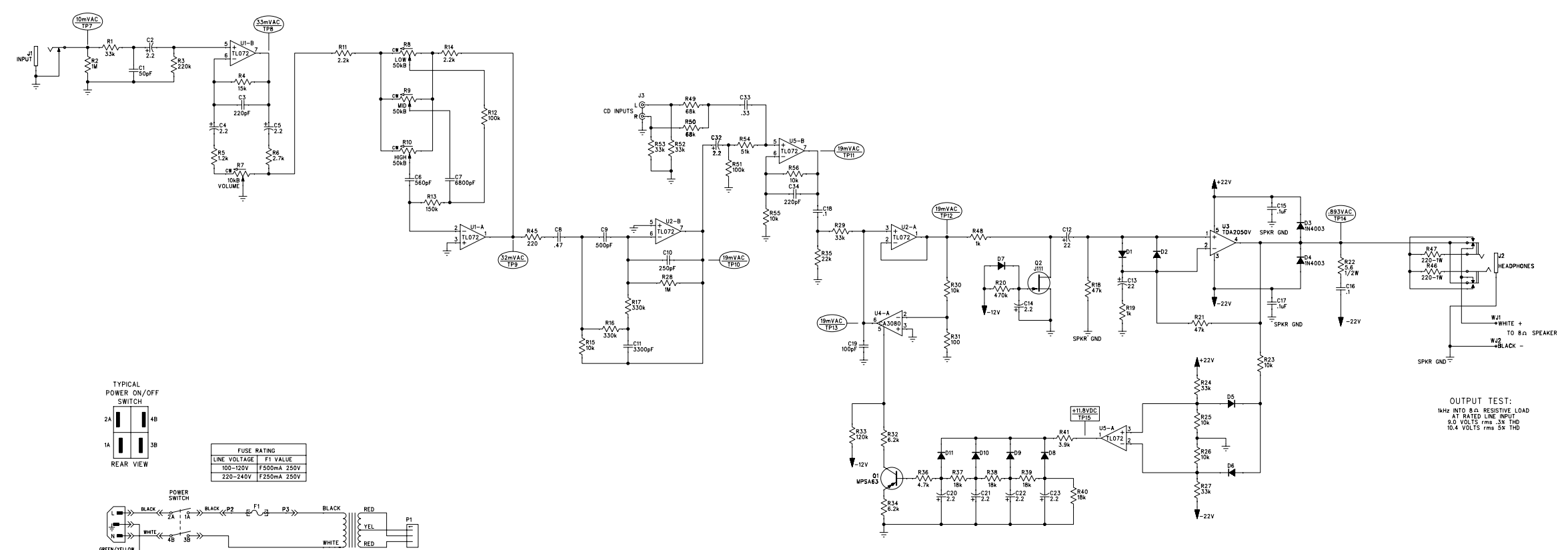
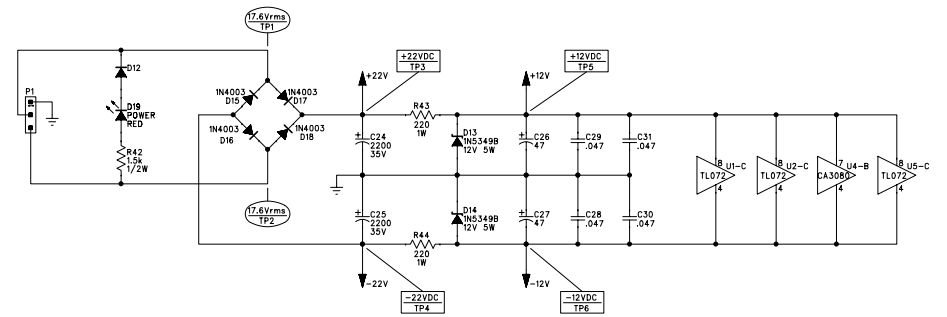


REVISIONS			
REV.	DESCRIPTION	DATE	APPROVED
A	PR 497	09-MAY-03	dBL



LINE VOLTAGE	LABEL
100V	FRONTMAN 15 Dk-100
120V	FRONTMAN 15 Dk-120
220-240V	FRONTMAN 15 Dk-230



7. LAST REFERENCE DESIGNATORS: C34, D19, F1, J3, P3, Q2, R56, TP15, U5, WJ2.
 6. AC AND DC VOLTAGES READ TO GROUND WITH A DVM UNDER THE FOLLOWING CONDITIONS:
 UNIT AT RATED LINE VOLTAGE
 8 Ω RESISTIVE LOAD CONNECTED AT WJ1-WJ2
 NO INPUT SIGNAL (TP1-6, TP15)
 VOLTAGES MAY VARY ±7-20%.
 ALL CONTROLS SET TO 12 O'CLOCK (50% ROTATION)
 10mv, 1kHz SINEWAVE INPUT SIGNAL AT J1
5. THIS SCHEMATIC IS FOR PCB FABRICATION P/N 0063691000 AND PCB ASSEMBLY P/N 0063690000.
 4. ALL DIODES ARE 1N4448.
 3. ALL POLARIZED CAPACITORS IN μF, 20%+ 50V MINIMUM.
 2. ALL UNPOLARIZED CAPACITORS IN nF, 10% OR BETTER, 50V MINIMUM. (POWER SUPPLY BYPASS CAPACITORS ARE 20%).
 1. ALL RESISTORS IN OHMS, 5% 1/4W.
- NOTES: (UNLESS OTHERWISE NOTED)

THIS DOCUMENT CONTAINS INFORMATION OF A PROPRIETARY NATURE TO FENDER MUSICAL INSTRUMENTS AND IS SUBMITTED TO YOU IN CONFERENCE AND SHALL NOT BE DISCLOSED OR TRANSMITTED TO OTHERS WITHOUT AUTHORIZATION FROM FENDER MUSICAL INSTRUMENTS.

Fender MUSICAL INSTRUMENTS
 Corona, CA U.S.A.

CHECKED BY: _____
 DATE: _____
 APPROVED BY: _____
 DATE: _____
 DRAWN: D. LEWIS ENGR: D. LEWIS
 DATABASE FILE: Z4975.SCH

TITLE: SERVICE DIAGRAM, COMBINED (schematic)
 RUMBLE 15
 BASS AMPLIFIER

SIZE	DRAWING NUMBER	REV.
D	0063692000	A

RELEASE DATE: 09-MAY-03 SHEET: 1 OF 1