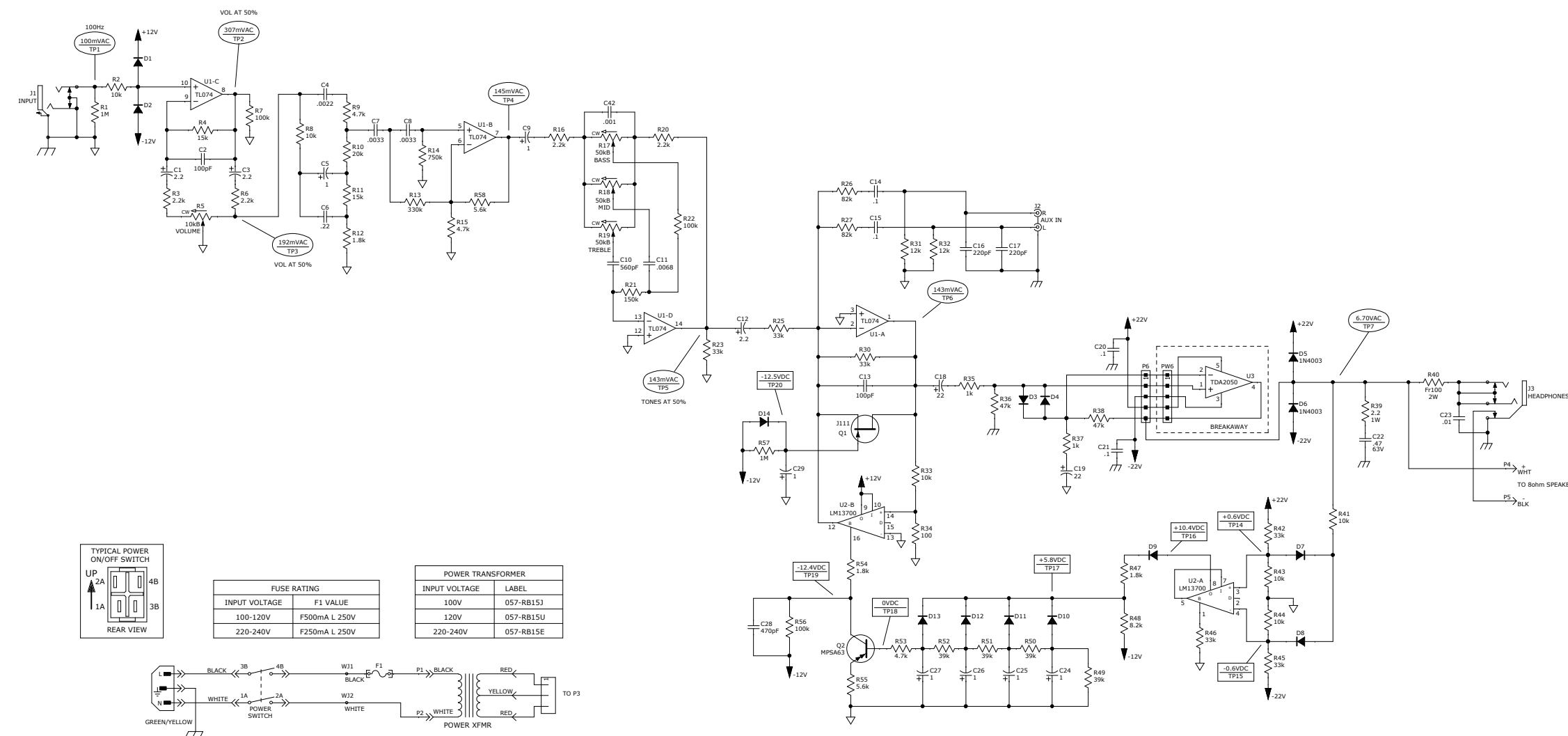
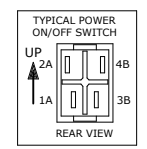


REVISIONS			
REV.	DESCRIPTION	DATE	APPROVED
A	PR848	06-AUG-09	dBL



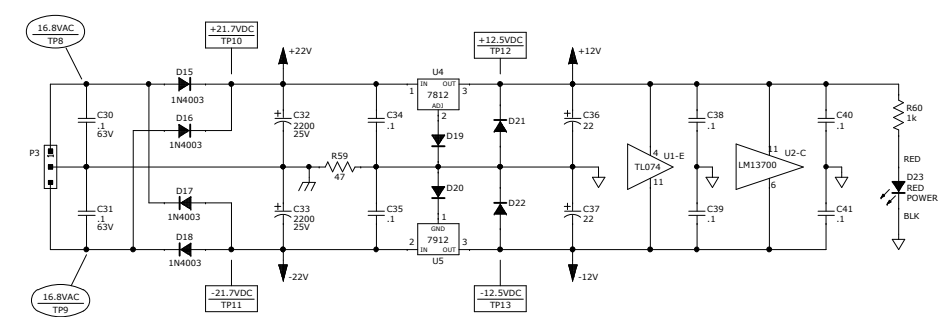
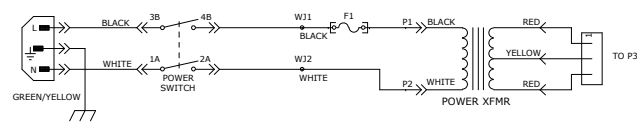
MAX HP OUTPUT,  $V_o = 1.88V_{rms}$  (2.66Vpk)  
 110mW @ 0.1% THD INTO 32ohms (MIN) PER CHANNEL  
 BOTH CHANNELS DRIVEN, 100Hz

OUTPUT POWER		
8ohm RESISTIVE LOAD CONNECTED AT P4-P5		
UNIT AT RATED LINE VOLTAGE		
ADJUST SINEWAVE INPUT SIGNAL AT AUX IN J2 TO VERIFY:		
FREQ	100Hz	1kHz
	14.6W (10.8Vrms)	14.6W (10.8Vrms)
	<0.3% THD	0.1% THD



FUSE RATING	
INPUT VOLTAGE	F1 VALUE
100-120V	F500mA L 250V
220-240V	F250mA L 250V

POWER TRANSFORMER	
INPUT VOLTAGE	LABEL
100V	057-RB15J
120V	057-RB15U
220-240V	057-RB15E

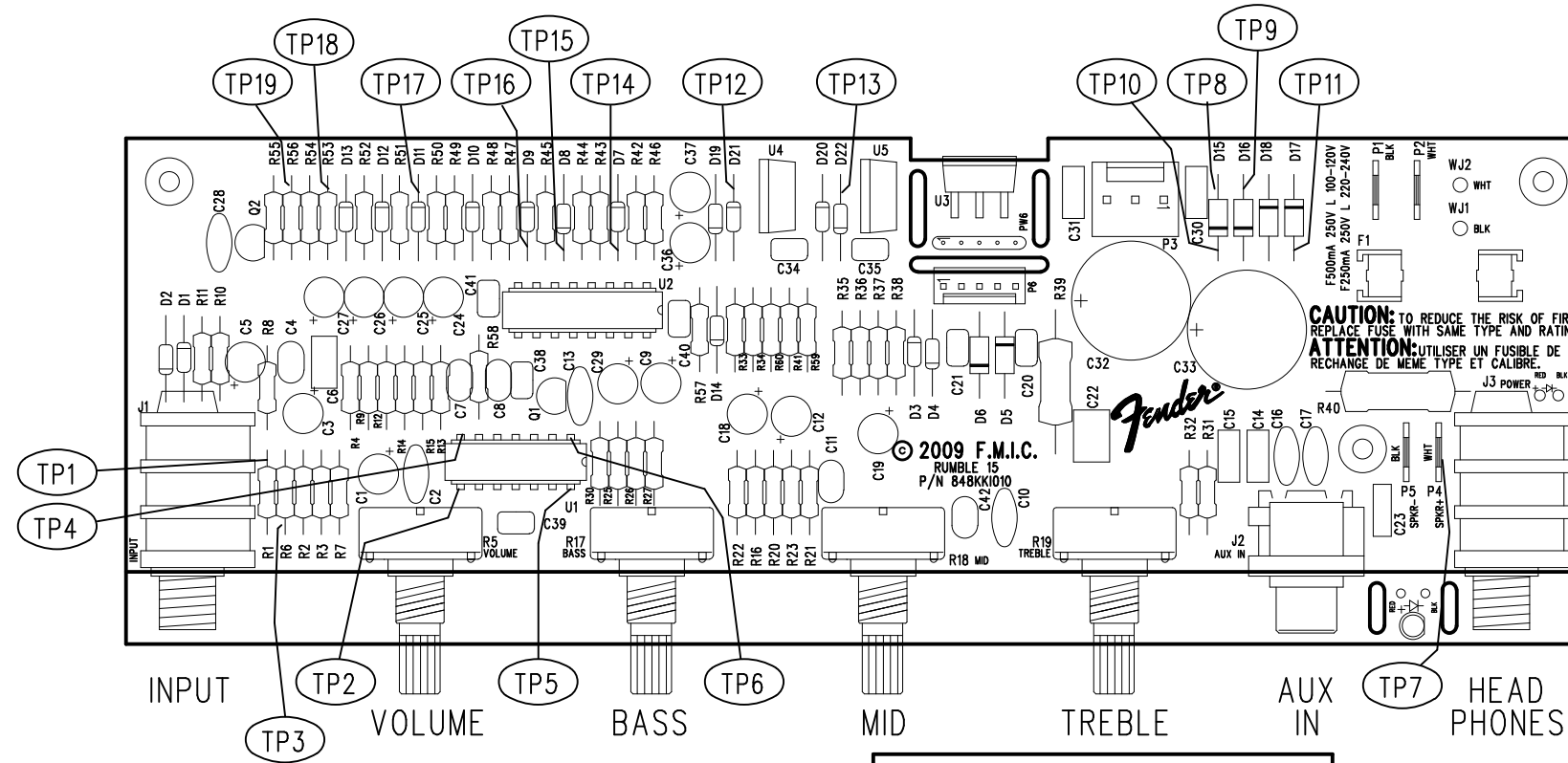


7. AC AND DC VOLTAGES ARE READ TO GROUND WITH A DVM UNDER THE FOLLOWING CONDITIONS:  
 UNIT AT RATED LINE VOLTAGE  
 8 OHM RESISTIVE LOAD AT P4-P5  
 NO INPUT SIGNAL FOR TP9-20  
 100mV RMS, 1000S SINEWAVE INPUT SIGNAL AT J1  
 ALL CONTROLS AT 12 O'CLOCK (50% ROTATION)  
 VOLTAGES MAY VARY BY +/-20%
8. LAST REFERENCE DESIGNATORS: C42, D23, F1, J3, P6, PWB, Q2, R50, U5, WJ2. NOT USED: R24, R28-29.
9. THIS SCHEMATIC IS FOR PCB FABRICATION P/N 848KKI011 AND PCB ASSEMBLY P/N 848KKI010.
4. ALL DIODES ARE 1N4448.
3. ALL POLARIZED CAPACITORS IN uF, 20%; 16V MINIMUM. (POWER SUPPLY BYPASS CAPACITORS ARE 20%).
2. ALL UNPOLARIZED CAPACITORS IN uF, 10% OR BETTER; 50V MINIMUM. (POWER SUPPLY BYPASS CAPACITORS ARE 20%).
1. ALL RESISTORS IN OHMS, 5%; 1/4W.
- NOTES: (UNLESS OTHERWISE NOTED)

THIS DOCUMENT CONTAINS INFORMATION OF A PROPRIETARY NATURE TO FENDER MUSICAL INSTRUMENTS AND IS SUBMITTED TO YOU IN CONFIDENCE AND SHALL NOT BE DISCLOSED OR TRANSMITTED TO OTHERS WITHOUT AUTHORIZATION FROM FENDER MUSICAL INSTRUMENTS.		<b>MUSICAL INSTRUMENTS</b> Corona, CA U.S.A.		
CHECKED BY: _____ DATE: _____				TITLE: SERVICE DIAGRAM, COMBINED (schematic) <b>RUMBLE 15</b> <b>BASS AMPLIFIER</b>
APPROVED BY: _____ DATE: _____		SIZE: <b>D</b>	DRAWING NUMBER: <b>848KKI012</b>	REV: <b>A</b>
DRAWN: D. LEWIS    ENGR: D. LEWIS		DATABASE FILE: 2848S.SCH		SHEET: 1 OF 2


REVISIONS

REV.	DESCRIPTION	DATE	APPROVED
A	PR 848	09-SEP-09	dBL



FILM/DWG: SERVICE DIAGRAM  
 DATABASE: Z848P.PCB DATE: 09-SEP-09

1. SEE SHEET 1 FOR TEST CONDITIONS AND TEST POINT VALUES.  
 NOTES: (UNLESS OTHERWISE NOTED)

THIS DOCUMENT CONTAINS INFORMATION OF A PROPRIETARY NATURE TO FENDER MUSICAL INSTRUMENTS AND IS SUBMITTED TO YOU IN CONFIDENCE AND SHALL NOT BE DISCLOSED OR TRANSMITTED TO OTHERS WITHOUT AUTHORIZATION FROM FENDER MUSICAL INSTRUMENTS.		 MUSICAL INSTRUMENTS Corona, CA U.S.A.	
CHECKED BY: _____ DATE: _____		TITLE: SERVICE DIAGRAM, COMBINED (PCB assy) RUMBLE 15 BASS AMPLIFIER	
APPROVED BY: _____ DATE: _____		SIZE <b>B</b>	DRAWING NUMBER 848KK1012
DRAWN: D. LEWIS	ENGR: D. LEWIS	RELEASE DATE: 09-SEP-09	REV. A
DATABASE FILE: Z848P.PCB		SHEET 2 OF 2	2