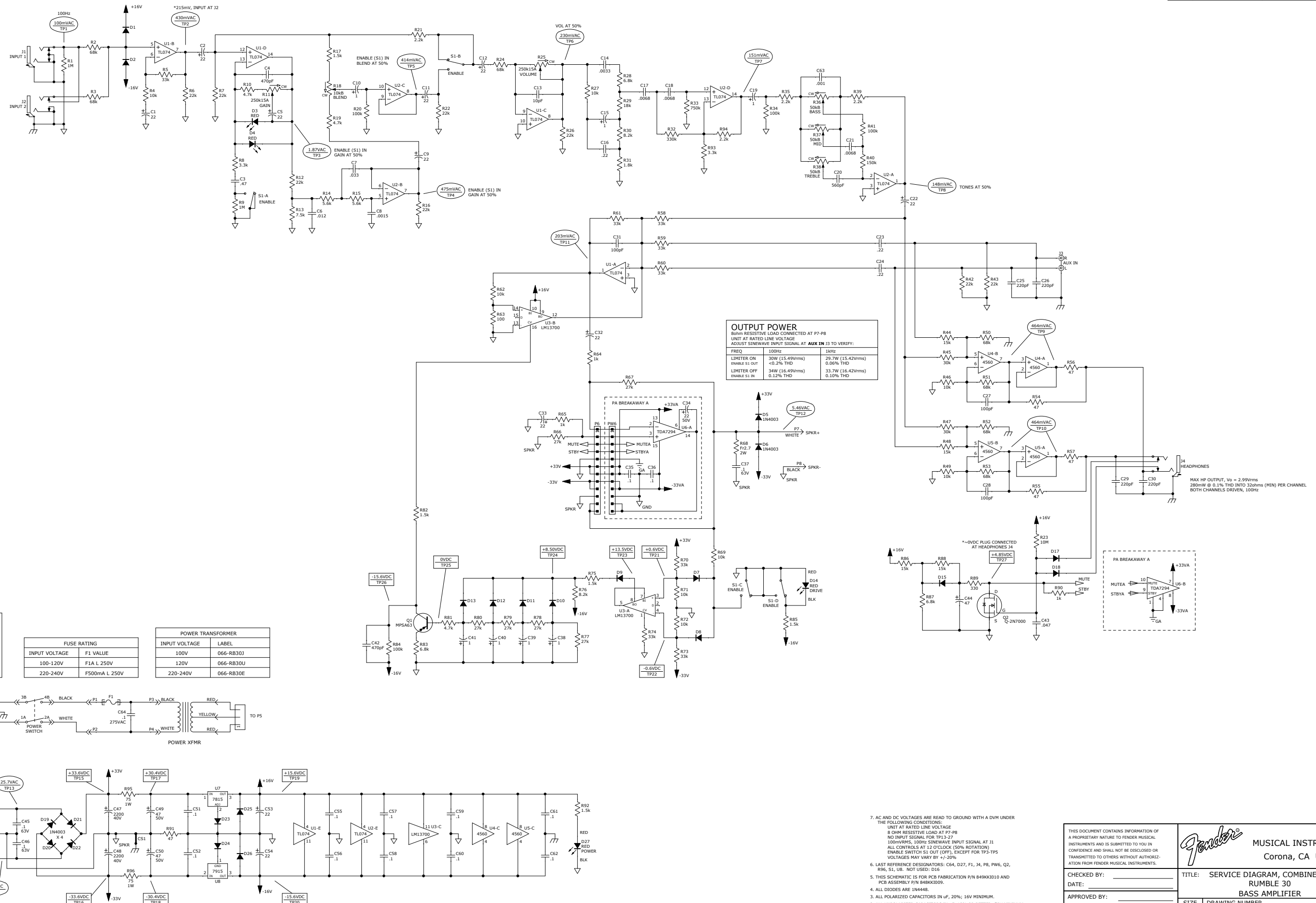
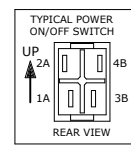


REVISIONS			
REV.	DESCRIPTION	DATE	APPROVED
A	PR 849	06-AUG-09	dBL



**OUTPUT POWER**  
 8 OHM RESISTIVE LOAD CONNECTED AT P7-P8  
 UNIT AT RATED LINE VOLTAGE  
 ADJUST SINEWAVE INPUT SIGNAL AT AUX IN J3 TO VERIFY:

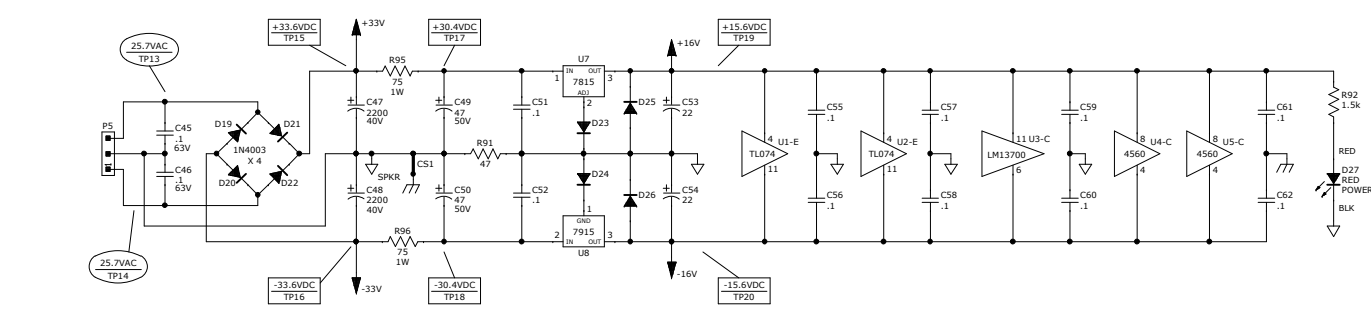
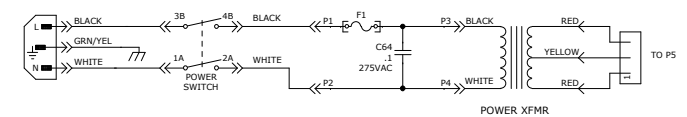
FREQ	100Hz	1kHz
LIMITER ON	30W (15.49Vrms)	29.7W (15.42Vrms)
LIMITER OFF	34W (16.45Vrms)	33.7W (16.42Vrms)
	<0.2% THD	0.06% THD
	0.12% THD	0.10% THD



FUSE RATING	
INPUT VOLTAGE	F1 VALUE
100-120V	F1A L 250V
120V	066-RB30U
220-240V	F500mA L 250V

POWER TRANSFORMER	
INPUT VOLTAGE	LABEL
100V	066-RB30J
120V	066-RB30U
220-240V	066-RB30E



7. AC AND DC VOLTAGES ARE READ TO GROUND WITH A DVM UNDER THE FOLLOWING CONDITIONS:  
 UNIT AT RATED LINE VOLTAGE  
 8 OHM RESISTIVE LOAD AT P7-P8  
 NO INPUT SIGNAL FOR TP13-27  
 100mV RMS, 100Hz SINEWAVE INPUT SIGNAL AT J1  
 ALL CONTROLS AT 12 O'CLOCK (50% ROTATION)  
 ENABLE SWITCH S1 OUT (OFF), EXCEPT FOR TP3-TP5  
 VOLTAGES MAY VARY BY +/-20%
- LAST REFERENCE DESIGNATORS: C54, D27, F1, J4, P8, PWS, Q2, R96, S1, US. NOT USED: D16
  - THIS SCHEMATIC IS FOR PCB FABRICATION P/N 849KK010 AND PCB ASSEMBLY P/N 848KK009.
  - ALL DIODES ARE 1N4448.
  - ALL POLARIZED CAPACITORS IN uF, 20%; 16V MINIMUM. (POWER SUPPLY BYPASS CAPACITORS ARE 20%).
  - ALL UNPOLARIZED CAPACITORS IN uF, 10% OR BETTER; 50V MINIMUM. (POWER SUPPLY BYPASS CAPACITORS ARE 20%).
  - ALL RESISTORS IN OHMS, 5%; 1/4W.
- NOTES: (UNLESS OTHERWISE NOTED)

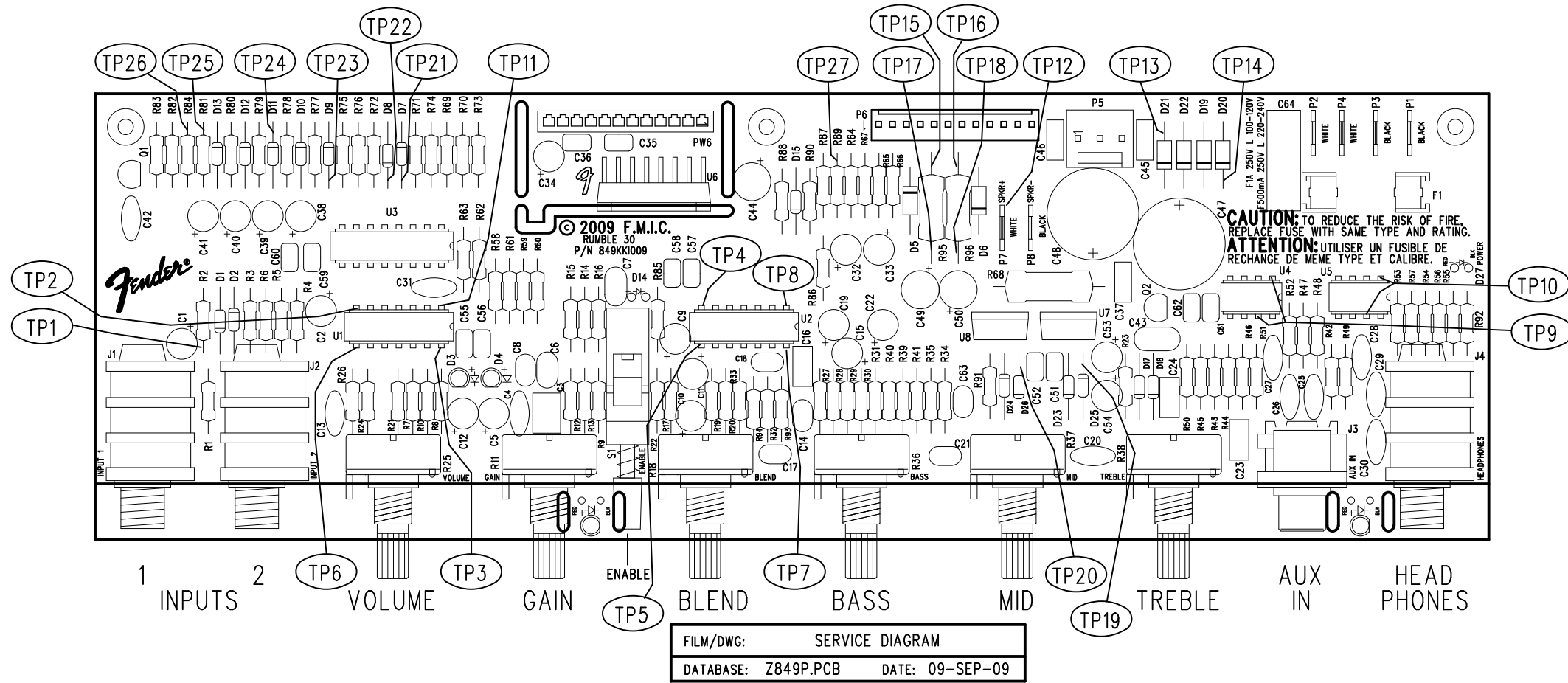
THIS DOCUMENT CONTAINS INFORMATION OF A PROPRIETARY NATURE TO FENDER MUSICAL INSTRUMENTS AND IS SUBMITTED TO YOU IN CONFIDENCE AND SHALL NOT BE DISCLOSED OR TRANSMITTED TO OTHERS WITHOUT AUTHORIZATION FROM FENDER MUSICAL INSTRUMENTS.

**Fender** MUSICAL INSTRUMENTS  
 Corona, CA U.S.A.

CHECKED BY: \_\_\_\_\_ DATE: \_\_\_\_\_  
 APPROVED BY: \_\_\_\_\_ DATE: \_\_\_\_\_  
 DRAWN: D. LEWIS ENGR: D. LEWIS  
 DATABASE FILE: 2849S.SCH


TITLE: SERVICE DIAGRAM, COMBINED (schematic) RUMBLE 30 BASS AMPLIFIER  
 SIZE: D DRAWING NUMBER: 849KKI011 REV. A  
 RELEASE DATE: 06-AUG-09 SHEET: 1 OF 2

REVISIONS			
REV.	DESCRIPTION	DATE	APPROVED
A	PR 849	09-SEP-09	dBL



FILM/DWG: SERVICE DIAGRAM  
 DATABASE: Z849P.PCB DATE: 09-SEP-09

1. SEE SHEET 1 FOR TEST CONDITIONS AND TEST POINT VALUES.  
 NOTES: (UNLESS OTHERWISE NOTED)

THIS DOCUMENT CONTAINS INFORMATION OF A PROPRIETARY NATURE TO FENDER MUSICAL INSTRUMENTS AND IS SUBMITTED TO YOU IN CONFIDENCE AND SHALL NOT BE DISCLOSED OR TRANSMITTED TO OTHERS WITHOUT AUTHORIZATION FROM FENDER MUSICAL INSTRUMENTS.		 MUSICAL INSTRUMENTS Corona, CA U.S.A.	
CHECKED BY: _____ DATE: _____		TITLE: SERVICE DIAGRAM, COMBINED (PCB assy) RUMBLE 30 BASS AMPLIFIER	
APPROVED BY: _____ DATE: _____		SIZE <b>B</b>	REV. <b>A</b>
DRAWN: D. LEWIS	ENGR: D. LEWIS	DRAWING NUMBER <b>849KKI011</b>	
DATABASE FILE: Z849P.PCB		RELEASE DATE: 09-SEP-09	SHEET 2 OF 2