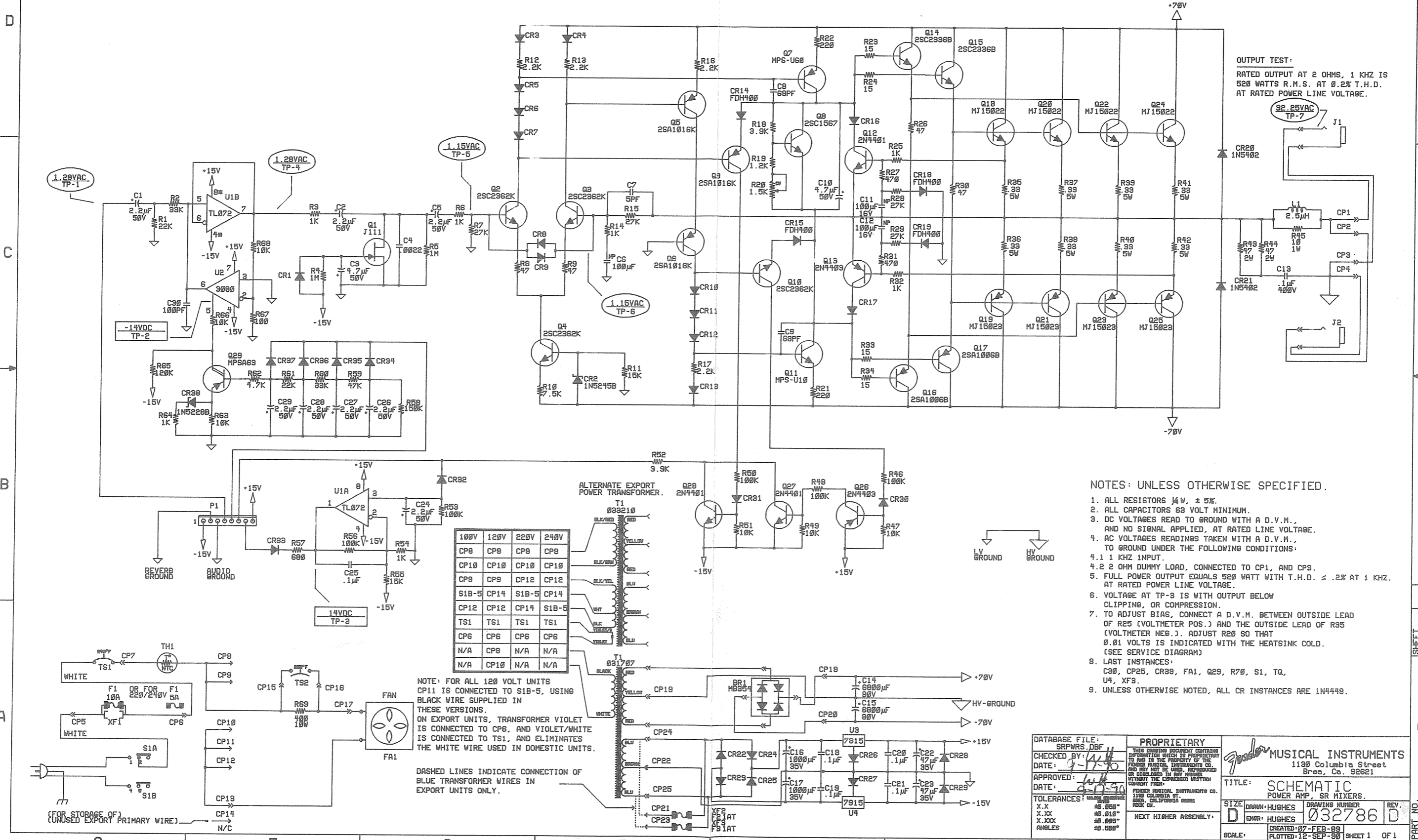


REVISIONS				
ZONE	REV.	DESCRIPTION	DATE	APPROVED
A		RELEASED PR#112	2-JUNE-89	[Signature]
B		EC#484	5-JULY-89	[Signature]
C		EC#538	11-NOV-89	[Signature]
D		ECO# L02862	18-SEPT-90	[Signature]



OUTPUT TEST:
 RATED OUTPUT AT 2 OHMS, 1 KHZ IS
 520 WATTS R.M.S. AT 0.2% T.H.D.
 AT RATED POWER LINE VOLTAGE.

- NOTES: UNLESS OTHERWISE SPECIFIED.
1. ALL RESISTORS 1/4W, ± 5%.
 2. ALL CAPACITORS 63 VOLT MINIMUM.
 3. DC VOLTAGES READ TO GROUND WITH A D.V.M., AND NO SIGNAL APPLIED, AT RATED LINE VOLTAGE.
 4. AC VOLTAGES READINGS TAKEN WITH A D.V.M., TO GROUND UNDER THE FOLLOWING CONDITIONS:
 - 4.1 1 KHZ INPUT.
 - 4.2 2 OHM DUMMY LOAD, CONNECTED TO CP1, AND CP3.
 5. FULL POWER OUTPUT EQUALS 520 WATT WITH T.H.D. ≤ .2% AT 1 KHZ. AT RATED POWER LINE VOLTAGE.
 6. VOLTAGE AT TP-3 IS WITH OUTPUT BELOW CLIPPING, OR COMPRESSION.
 7. TO ADJUST BIAS, CONNECT A D.V.M. BETWEEN OUTSIDE LEAD OF R25 (VOLTMETER POS.) AND THE OUTSIDE LEAD OF R35 (VOLTMETER NEG.). ADJUST R20 SO THAT 0.01 VOLTS IS INDICATED WITH THE HEATSINK COLD. (SEE SERVICE DIAGRAM)
 8. LAST INSTANCES: C30, CP25, CR30, FA1, Q29, R70, S1, TQ, U4, XF3.
 9. UNLESS OTHERWISE NOTED, ALL CR INSTANCES ARE 1N4448.

100V	120V	220V	240V
CP8	CP8	CP8	CP8
CP10	CP10	CP10	CP10
CP9	CP9	CP12	CP12
S1B-5	CP14	S1B-5	CP14
CP12	CP12	CP14	S1B-5
TS1	TS1	TS1	TS1
CP6	CP6	CP6	CP6
N/A	CP8	N/A	N/A
N/A	CP10	N/A	N/A

NOTE: FOR ALL 120 VOLT UNITS CP11 IS CONNECTED TO S1B-5, USING BLACK WIRE SUPPLIED IN THESE VERSIONS. ON EXPORT UNITS, TRANSFORMER VIOLET IS CONNECTED TO CP6, AND VIOLET/WHITE IS CONNECTED TO TS1, AND ELIMINATES THE WHITE WIRE USED IN DOMESTIC UNITS.

DASHED LINES INDICATE CONNECTION OF BLUE TRANSFORMER WIRES IN EXPORT UNITS ONLY.

DATABASE FILE: SRPWRS.DBF CHECKED BY: [Signature] DATE: 9-17-90 APPROVED: [Signature] DATE: 9-17-90 TOLERANCES: [Table]	PROPRIETARY THIS DRAWING DOCUMENT CONTAINS INFORMATION WHICH IS PROPRIETARY TO AND IS THE PROPERTY OF THE FENDER MUSICAL INSTRUMENTS CO. AND MAY NOT BE USED, REPRODUCED OR COPIED IN ANY MANNER WITHOUT THE EXPRESSED WRITTEN CONSENT FROM: FENDER MUSICAL INSTRUMENTS CO. 1130 COLUMBIA ST. BREA, CALIFORNIA 92621 FISC. CO.	GARDNER MUSICAL INSTRUMENTS 1130 Columbia Street Brea, Ca. 92621 TITLE: SCHEMATIC POWER AMP, SR MIXERS. SIZE: D DRAWN: HUGHES DRAWING NUMBER: 032786 REV. D ENGR: HUGHES CREATED: 07-FEB-89 PLOTTED: 12-SEP-90 SHEET 1 OF 1
---	---	--