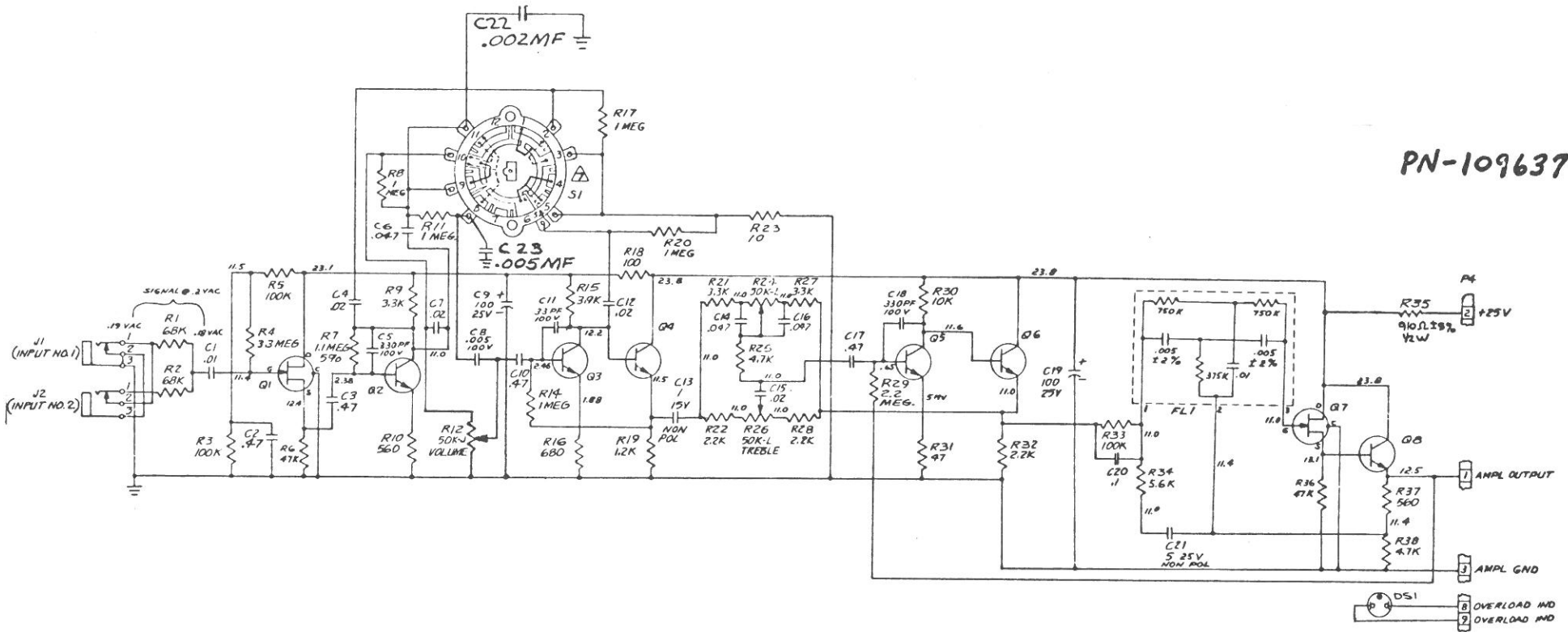


PN-109637



8. THIS DRAWING SUPERSEDES 056374.

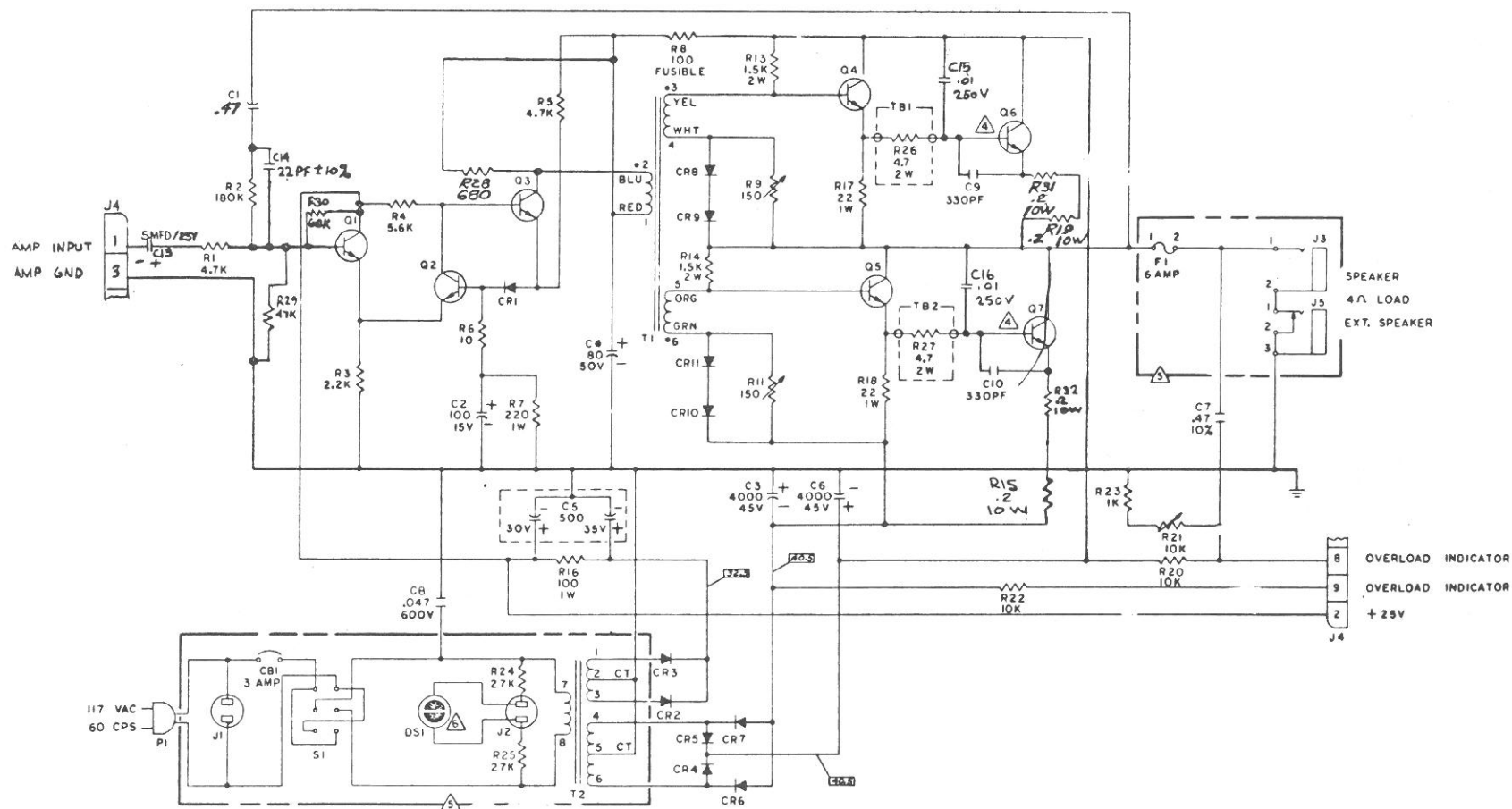
SWITCH POSITION	TERMINAL CONTACTS
BASS-BOOST	2-3, 5-5 $\frac{1}{2}$, 9-10
BASS-NORMAL	2-3, 5-5 $\frac{1}{2}$
GUITAR-NORMAL	10-11
GUITAR-BRIGHT	8-10-11

- VOLTAGE MADE WITH STYLE SWITCH IN BASS/BOOST, VOLUME @ 0, TREBLE @ CUT AND BASS @ CUT, NO SIGNAL APPLIED.
- ALL COMPONENT VOLTAGE VALUES ARE MINIMUM, ONLY HIGHER VOLTAGE VALUES MAY BE USED.
- ALL COMPONENTS ARE MOUNTED ON P.C. BOARD.
- LAST REF. DESIGNATION USED, R35, C23, Q8, J2, FL1, DS1, P1 & S1 (R13, R70, R37 OMITTED)
- ALL CAPACITORS ARE RATED AT 50V DC, VALUES IN MICROFARADS $\pm 20\%$.
- ALL RESISTORS ARE $\frac{1}{2}$ WATT, VALUES IN OHMS $\pm 10\%$.

NOTES UNLESS OTHERWISE SPECIFIED

Fender: MUSICAL INSTRUMENTS
SANTA ANA, CALIFORNIA

DWG. TITLE			
SCHEMATIC - PREAMPLIFIER, 100 WATT BASSMAN			
SIZE	DWG. NO.	REV.	
D	104117	-	
SCALE NONE	MODEL SP3100	SHEET 1 OF 1	



PN-109637

- 13 THIS DRAWING SUPERSEDES 056341
12. FRAMES OF SPEAKERS MUST BE GROUNDED. GROUND FRAMES TO TERMINAL LUG RIVET ON SPEAKER TO VOICE COIL LEAD WHICH CONNECTS TO GROUND SIDE OF SPKR. JACK
 11. IDLE CURRENT SHOULD AVERAGE 250 MA AND NOT EXCEED 350 MA AT 125 VAC INPUT.
 10. R21 IS ADJUSTED WITH 100 HZ SIGNAL AT 100 WATTS TO CAUSE DS1 ON PRE-AMP TO FLICKER.
 9. R9 AND R11 ARE ADJUSTED FOR 6 MV ACROSS R19 AND R15 RESPECTIVELY.
 8. ALL COMPONENT VOLTAGE VALUES ARE MINIMUM, ONLY HIGHER VOLTAGE VALUES MAY BE USED.
 7. ALL COMPONENTS ARE MOUNTED ON P.C. BOARD.
 6. COMPONENT MOUNTED ON CONTROL PANEL.
 5. COMPONENT MOUNTED ON CHASSIS.
 4. COMPONENT MOUNTED ON HEAT-SINK.
 3. LAST REFERENCE DESIGNATION USED, R32 (R10, R12 OMITTED) CR11, C16, Q7, J5, T2, CBI, E1, DS1, P1, F1 AND TBE. (C11, C12 OMITTED)
 2. ALL CAPACITORS ARE RATED AT 50V DC, VALUES IN MICROFARADS ± 20% ELECTROLYTIC -20% ± 150%.
 1. ALL RESISTORS ARE 1/2 WATT, VALUES IN OHMS ± 10%.
- NOTE: UNLESS OTHERWISE SPECIFIED

Fender MUSICAL INSTRUMENTS SANTA ANA, CALIFORNIA

DWG. TITLE		SCHEMATIC	
POWER OUTPUT AMP		100 WATT BASSMAN	
REV.	SIZE	DWG. NO.	REV.
467	D	104083	
SCALE	MODEL	SHEET 1 OF 1	
	SP3100		