



SERVICE MANUAL

V-6

TABLE OF CONTENTS

1. SPECIFICATION-----	2
2. BLOCK DIAGRAM -----	3
3. EXPLODED VIEW & ASSEMBLY PARTS-----	4~5
4. SCHEMATIC DIAGRAM-----	6~8
5. PRINTED CIRCUIT BOARD VIEW-----	9~10
6. WIRING DIAGRAM-----	11
7. REPLACEMENT PARTS LIST -----	12~15

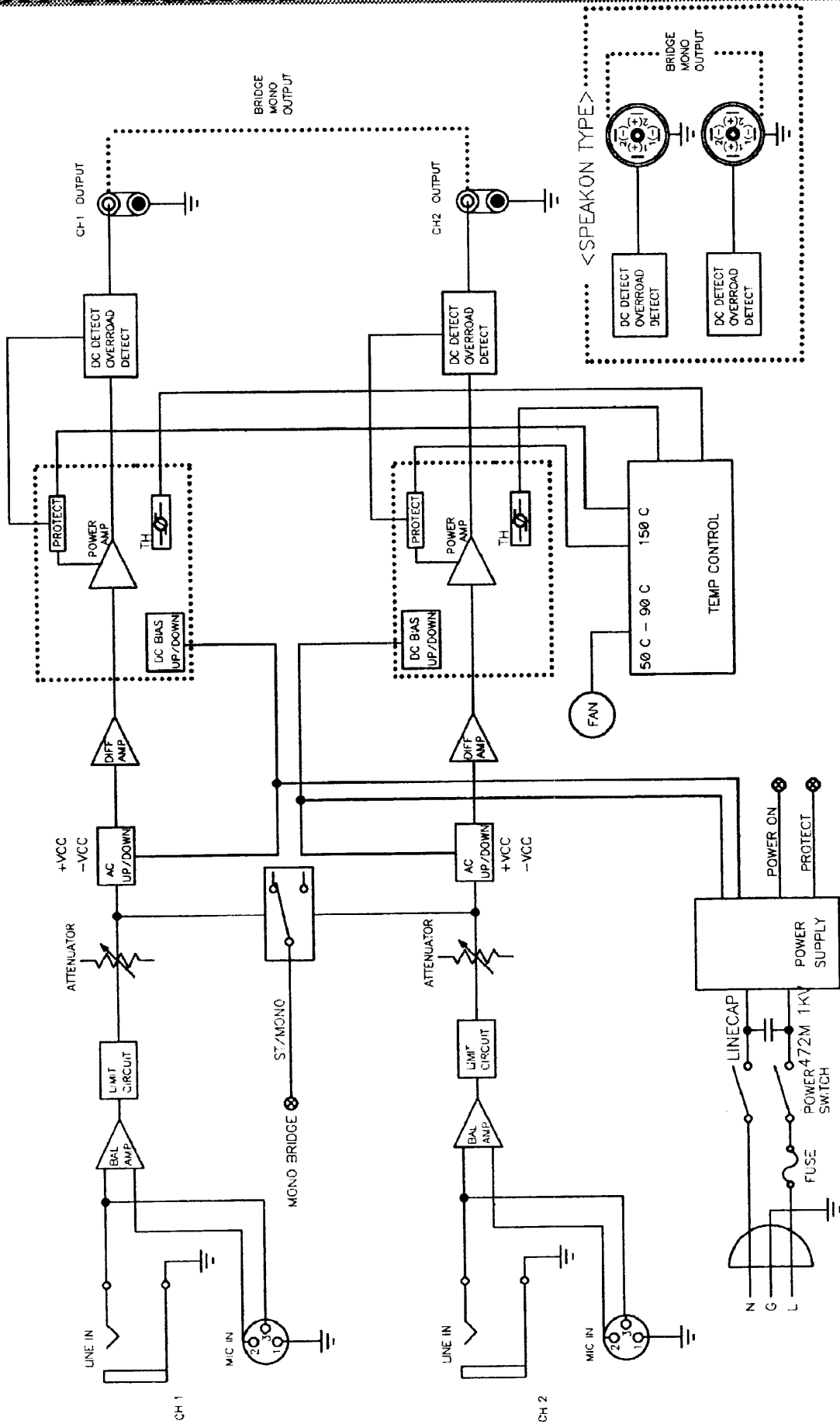
* For improvement purpose, specifications and design are subject change without notice.

GENERAL SPECIFICATIONS (V-6)

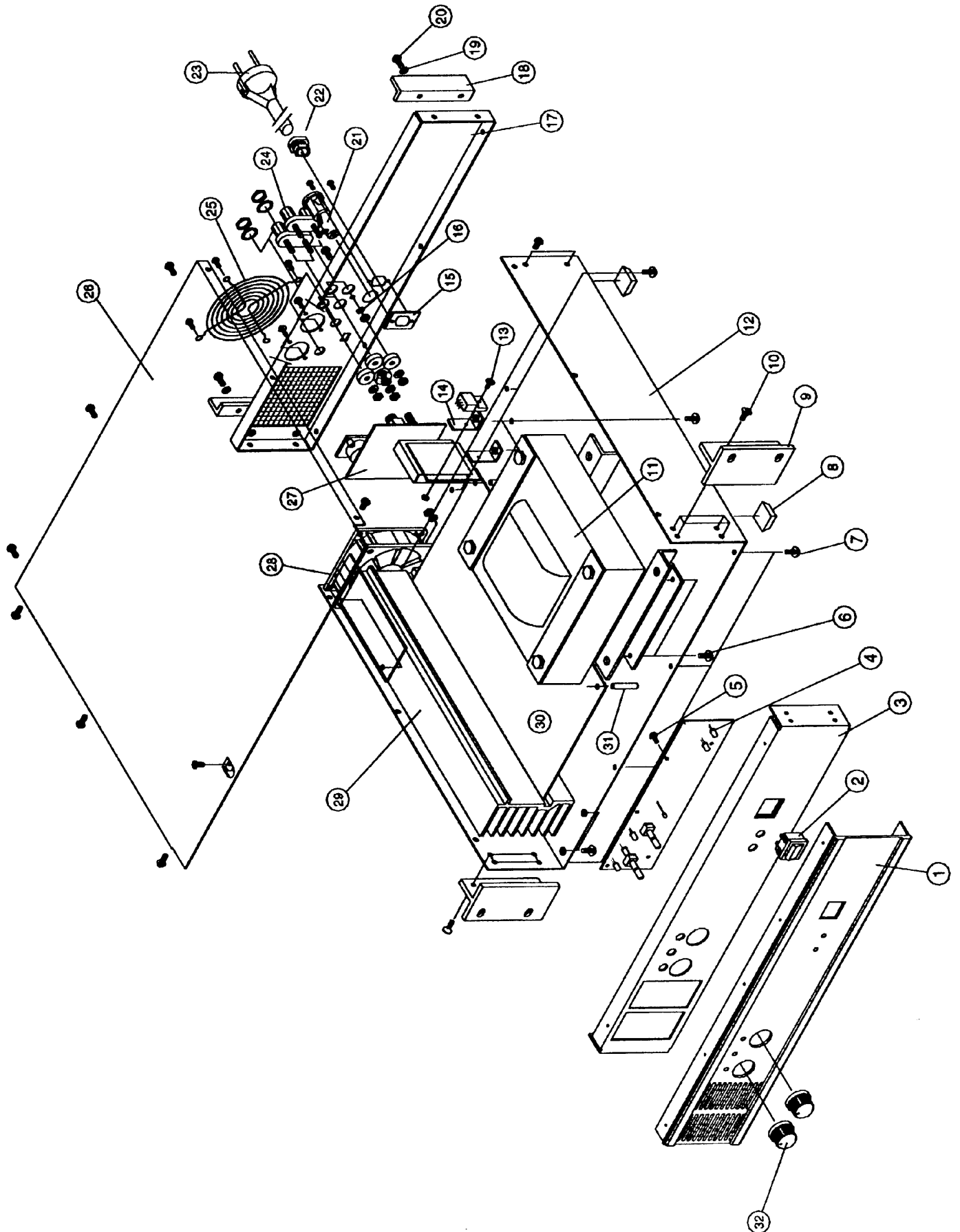
MODEL	V-6
Power Output Level 1 kHz, THD+N, EIA both Channel Driven Stereo 4 Ω Stereo 8 Ω Bridge 8 Ω	290W × 2 195W × 2 550W
Frequency Response	20Hz ~ 30kHz, ± 1dB (8 Ω, 1W)
Power Bandwidth	20Hz ~ 20kHz -3dB
T.H.D stereo 270 watt at 4 Ω	0.05%
Channel Separation	≥ 80 dB 25W, at 8 Ω, 1kHz
Signal to Noise	≥ 100 dB
Damping Factor	≥ 200
Slew Rate 8 Ω, 1kHz, Full Swing	32V/μsec (8 Ω, full level)
Sensitivity	+4 dBm (1.23V)
Input Impedance	≥ 10 kΩ
Indicators	1 Power (Green LED) 1 Protector (Red LED) 2 Clipping (Red LED) 1 Bridge (Green LED)
Protection Circuit	Short Circuit, Current Limit, DC fault, Fuse outputs, AC line fuse.
Cooling	Speed Control FAN
Power Requirements	120V 60Hz 230V 50Hz 240V 50Hz
Dimensions(W×H×D) mm inch	480×88×415 18.8×3.45×16.3
Weight	15.5 kg (34.1 lbs)

NOTE: (1) All tests performed using unbalanced inputs.
(2) In these specifications, when dB represents a specific voltage, 0 dB is referenced to 0.775 Vrms.

BLOCK DIAGRAM (V-6)



Exploded View V-6

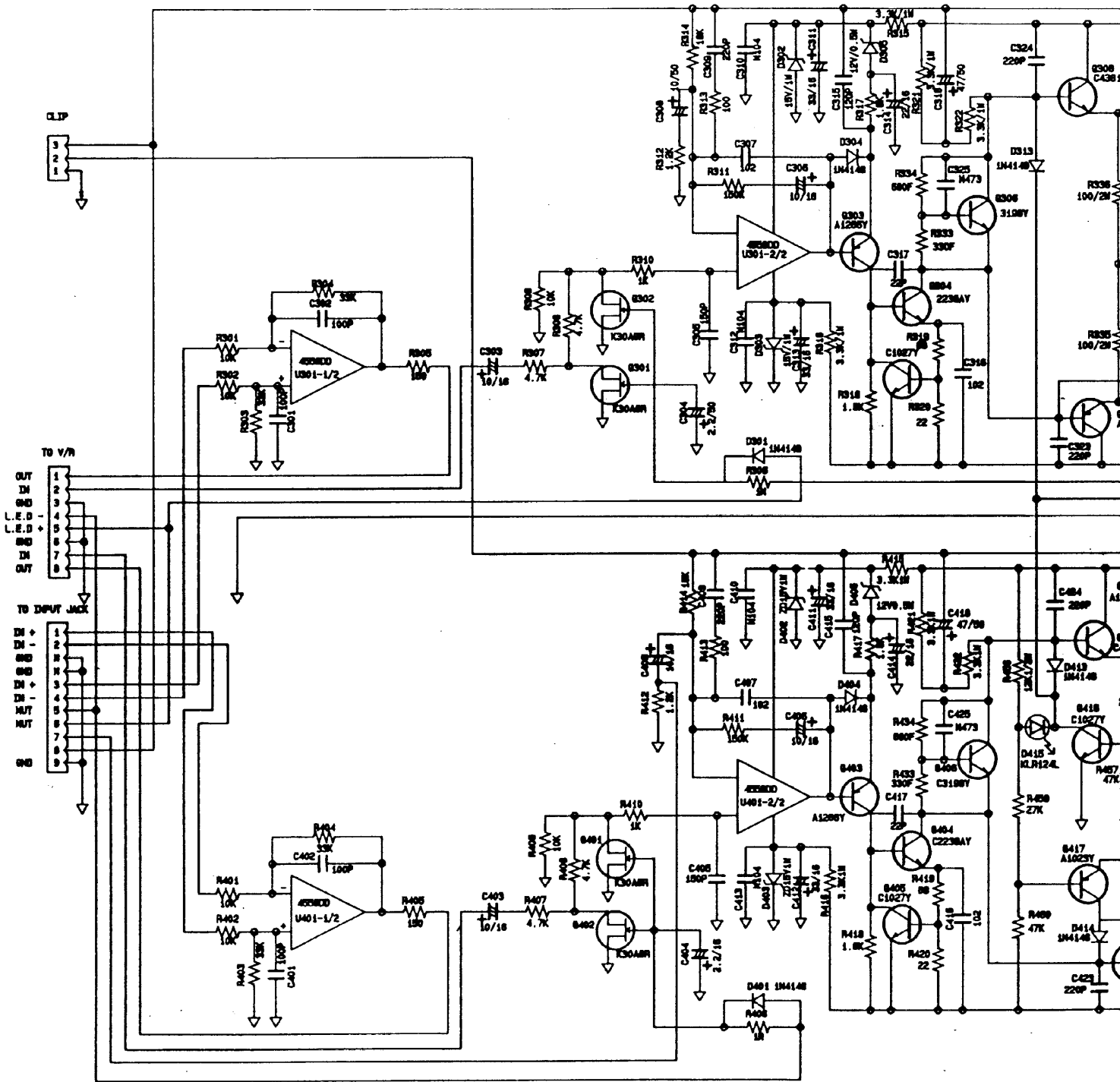


Assembly Parts V-6

NO	DESCRIPTION	CODE NO	METRIAL	SPECIFICATION	Q'TY	REMARK
1	FRONT PANEL	36100170	ABS	400×22.5×88	1	
2	POWER SWITCH	30200003		H8660VB	4	
3	FRONT CHASSIS	35100050	EGI	T=1.6, 80.6×427×25	1	
4	EQ PCB	31500450	FR-1	197×110×1.6T	1/2	
5	MACHINE SCREW	36200035		PMP(+)M3×6	4	
6	MACHINE SCREW	36200013		BH(+)M5×12	4	
7	TAPPING SCREW	36200025		PH(+)4×8T2	22	
8	RUBBER FOOT	38800010	RUBBER	20×20×7	4	
9	HANDLE	39700118	AL EXT	40×29.5×88	2	
10	MACHINE SCREW	36200015		FH(+)M4×12	8	
11	TRANS	33800017		PL602	1	
12	MAIN CHASSIS	35100038	EGI	T=1.6, 430×379×86.5	1	
13	MACHINE SCREW	36200004		PH(+)M3×16	1	
14	TRIAC PCB BRACKET	35100006	EGI	T=1.6 12×12×26	1	
15	POWER CORD BKT	35100007		V-6	1	
16	IN TOOTH LOCK WASHER	36200054		DIA4	2	
17	BACK CHASSIS	35100550	E.G.I	T=1.6 85×427×14	1	
18	AL SUPPORT	35000018	AL EXT	24×15×84	2	
19	TAPPING SCREW	36200026		PH(+)4×10T2	8	
20	MACHINE SCREW	36200011		BH(+)M4×6	1	
21	FUSE HOLDER	30200001		T6.3A 250V 5T	1	220V/ 230V/ 240V
22	CORD STOPPER	33500015		SR-6W-1	1	220V/ 230V/ 240V
23	POWER CORD	33700002		KKP30 SJT18	1	
24	SPEAKER TERMINAL	37300005		B2094020N	2	
25	FAN GRILL	37600020	METAL	80mm	1	
26	TOP COVER	39700006	EGI	T=1.6 433.5×381×12	1	
27	JACK PCB	31400039	FR-1	67×59×1.6T	1	
28	FAN	30500001		DO8T-12PU	1	
29	MAIN HEAT SINK	35000007	AL(6063)	305×84×46	1	
30	MAIN PCB	31400015	CEM-1	290×150×T=1.6	1	
31	PCB SUPPORT	34000041	BRASS	DIA5.0×30(L)	1	
32	CONTROL KNOB	36100031	ABS	DIA 24×16.3	2	BLACK

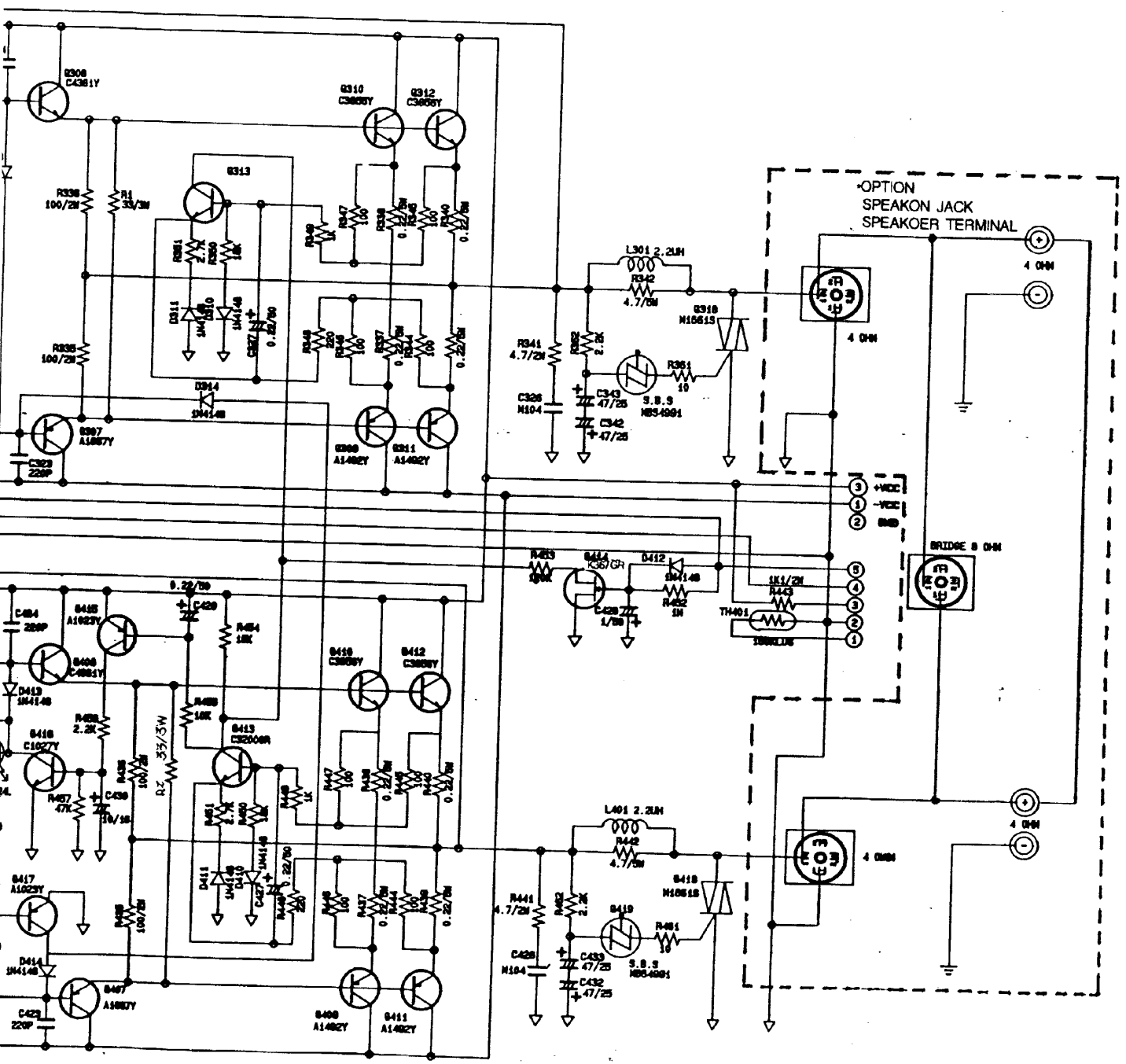
STK-Professional Audio

SCHEMATIC DIAGRAM



NOTE : UNLESS OTHERWISE SPECIFIED
1. ALL RESISTOR 1/4W 5%
2. ALL CAPACITOR VALUES IN uF/V

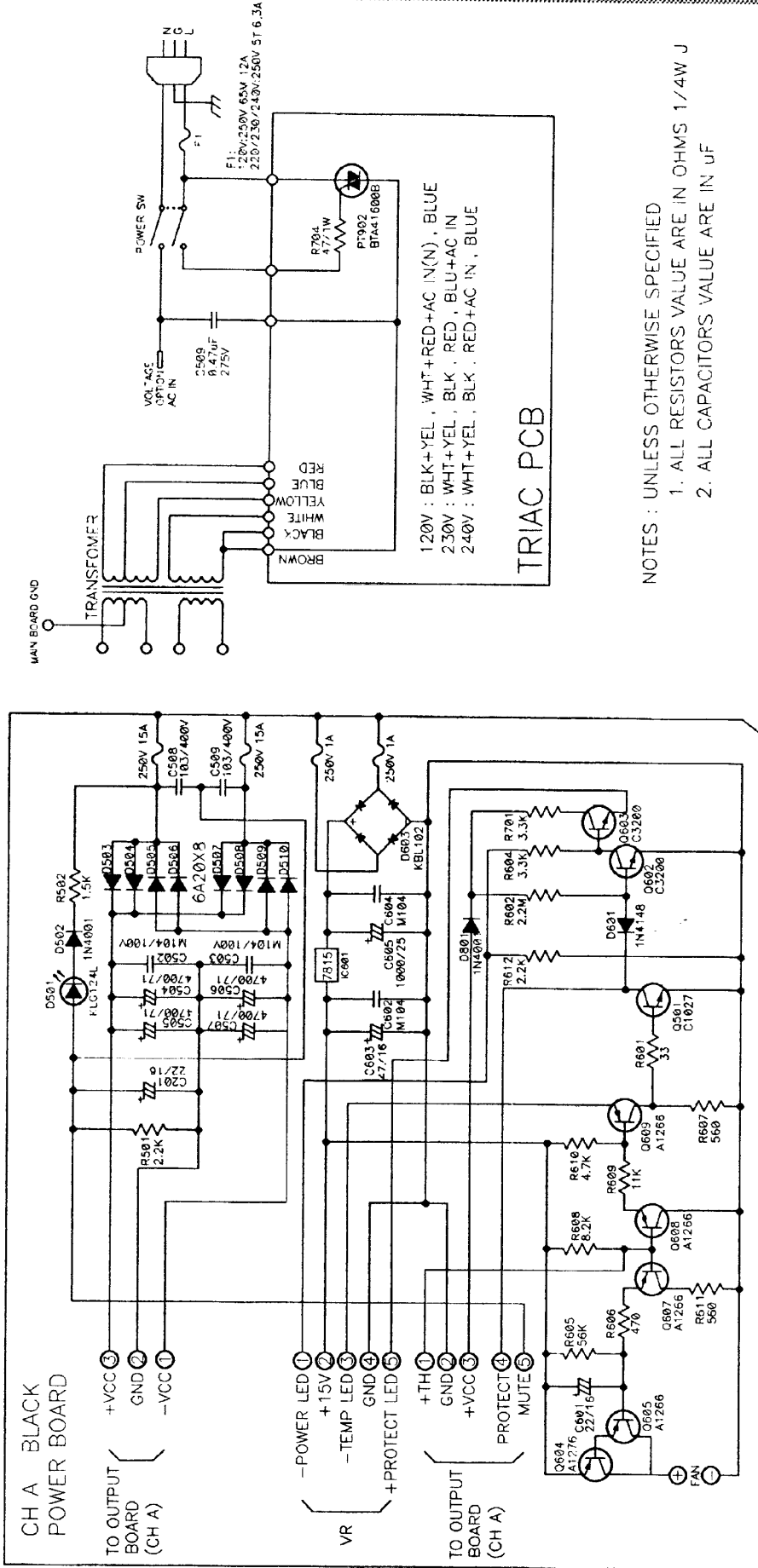
(V-6)



IFIED
IN UF/V

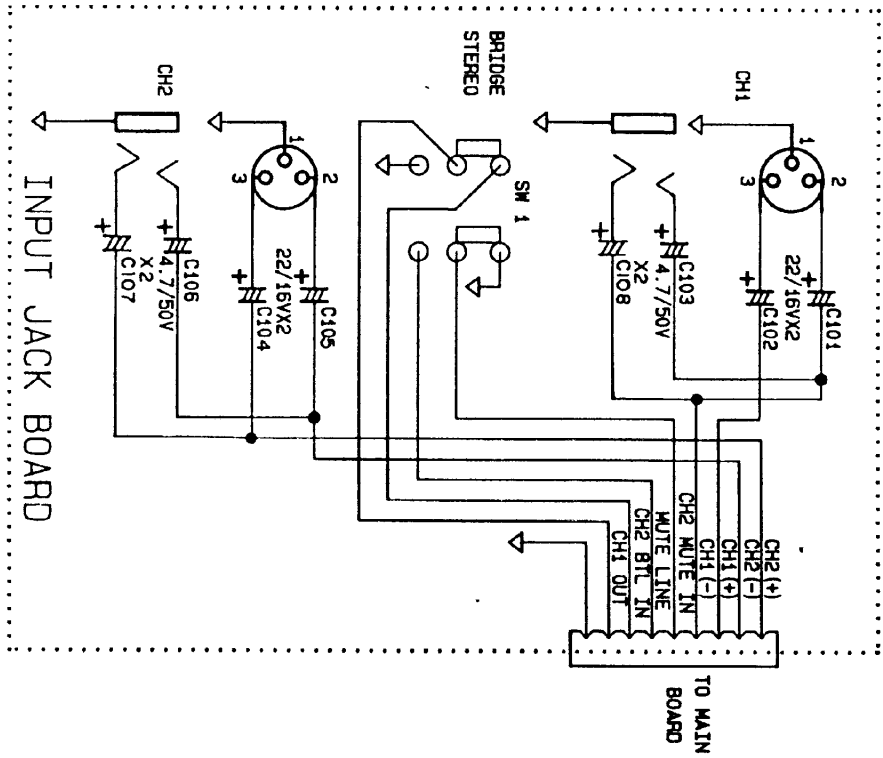
SCHEMATIC DIAGRAM

(V-6)

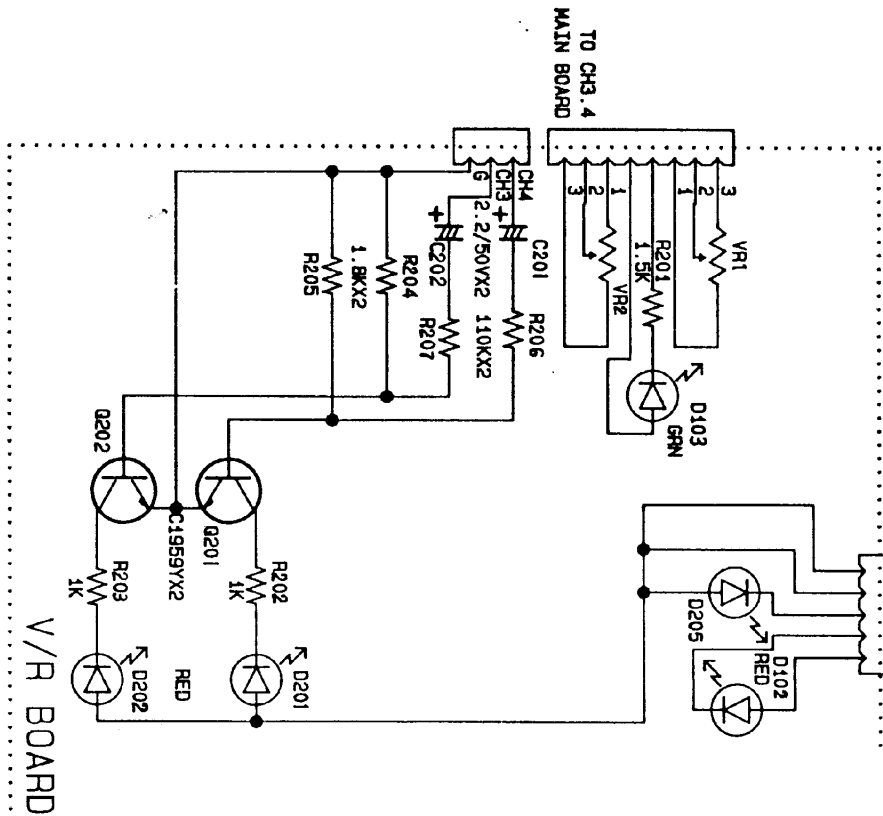


SCHEMATIC DIAGRAM

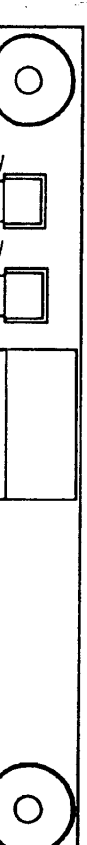
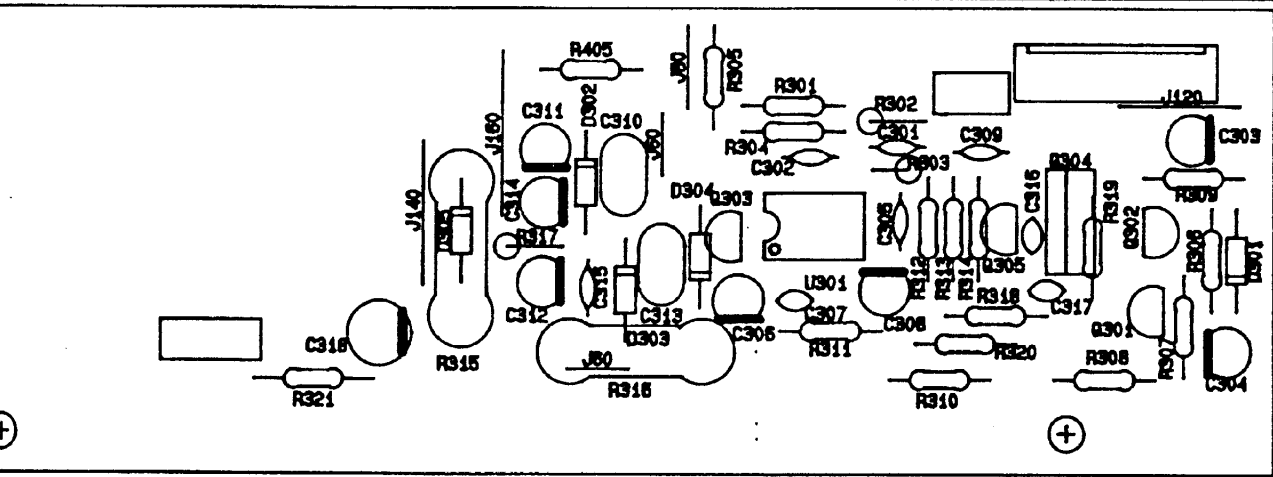
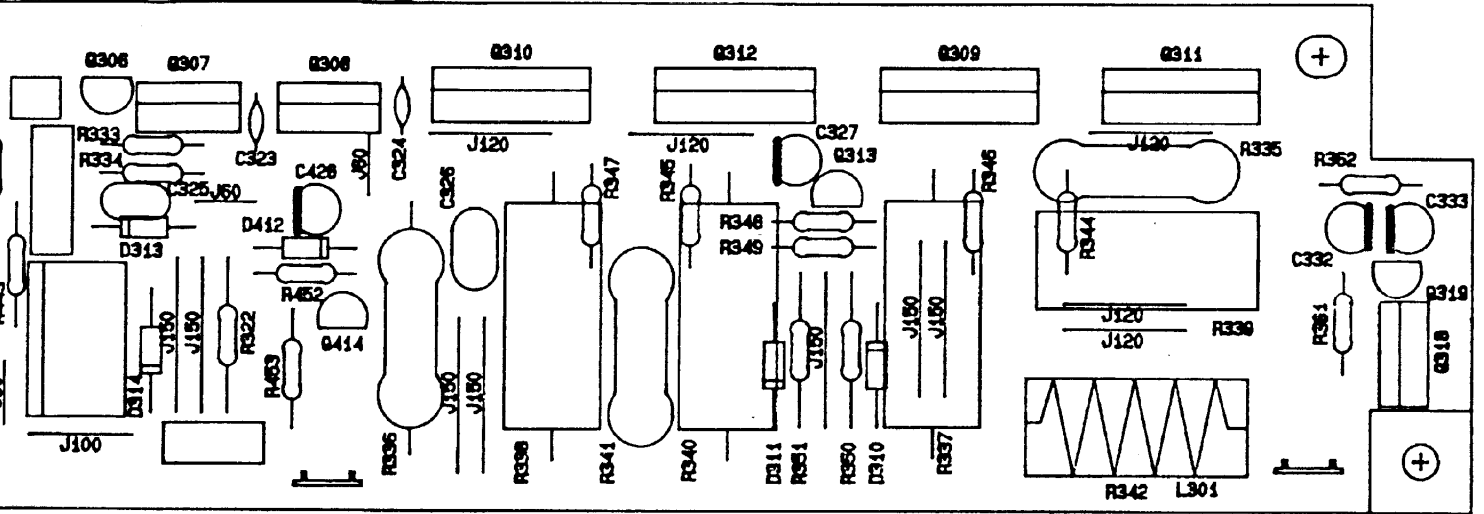
(V-6)



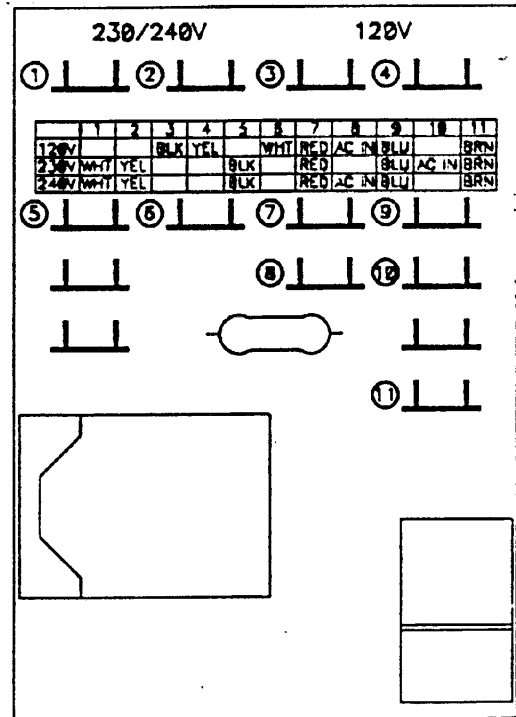
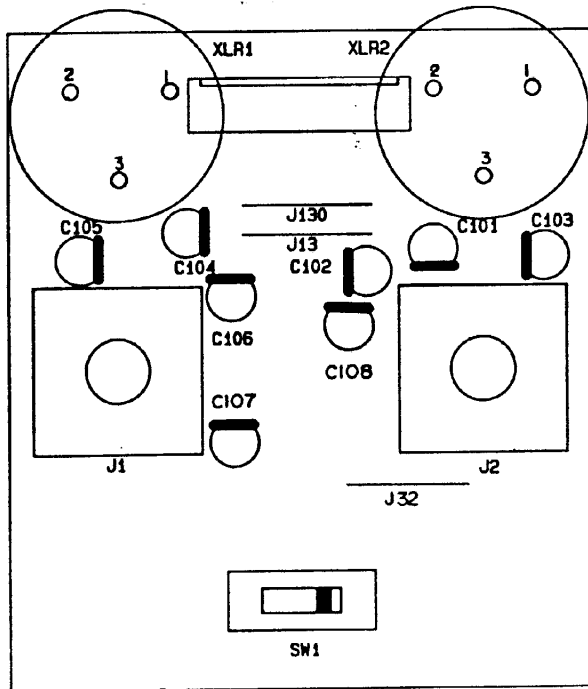
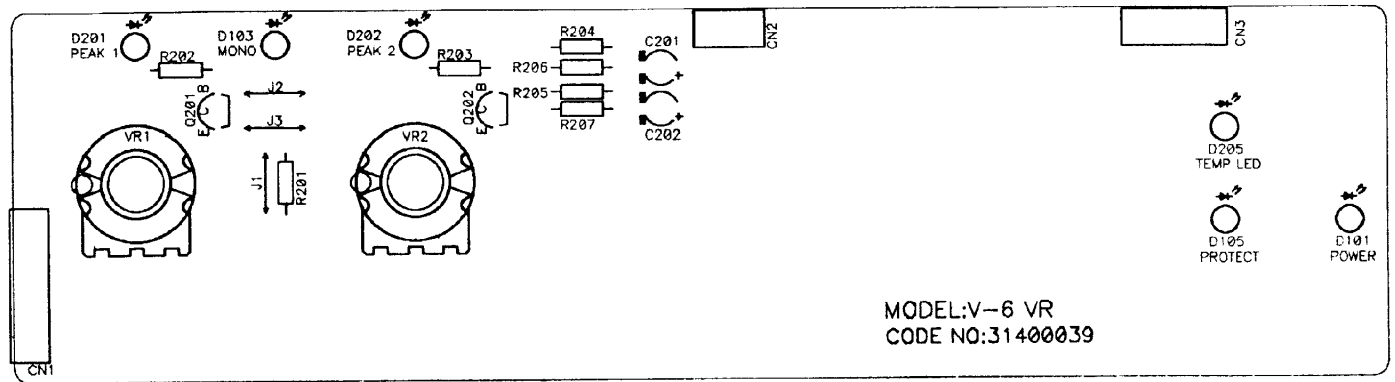
NOTES : UNLESS OTHERWISE SPECIFIED
1. ALL RESISTER 1/4 ±5%



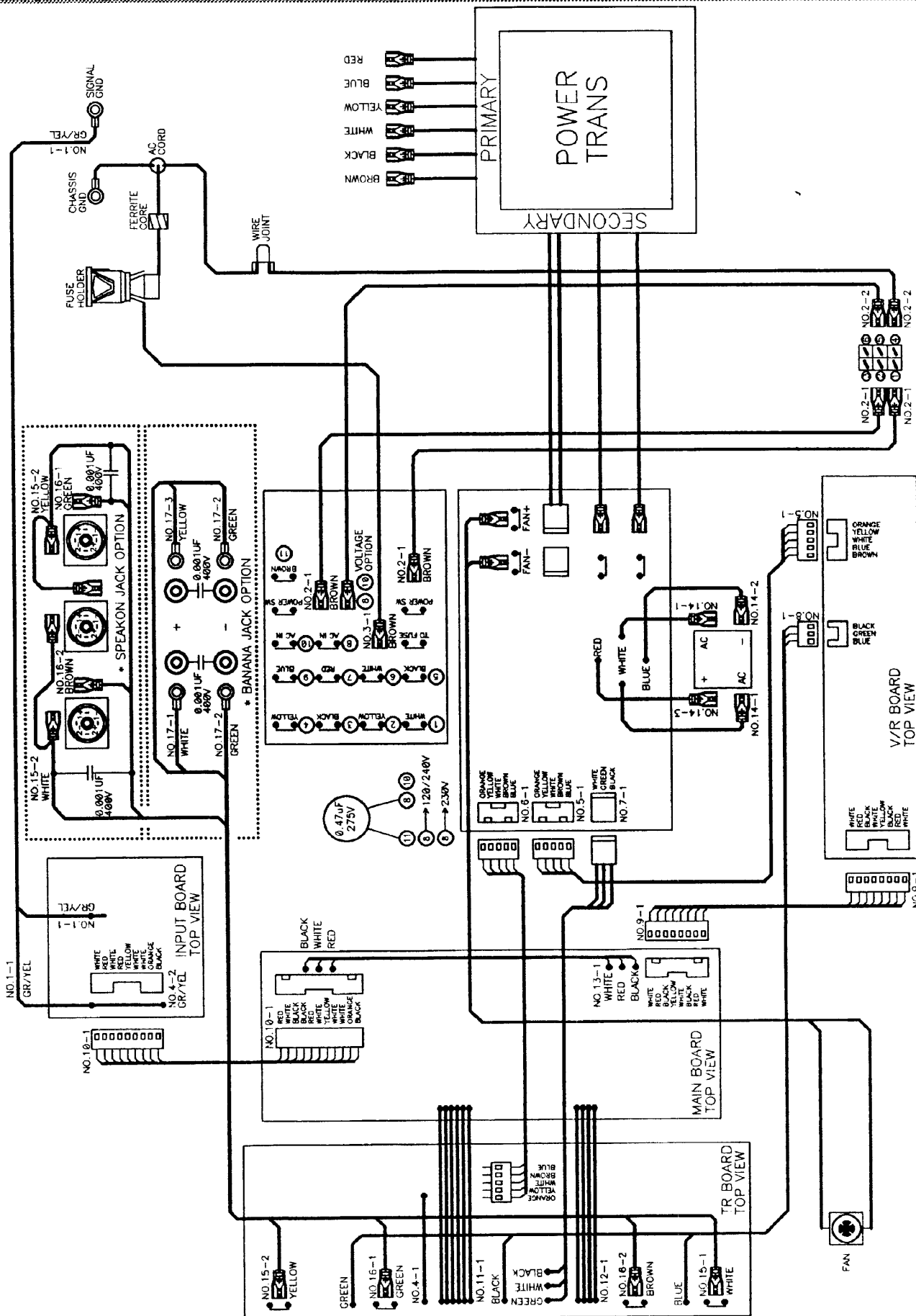
(V-6)



PRINTED CIRCUIT BOARD VIEW (V-6)



WIRING DIAGRAM (V-6)



REPLACEMENT PARTS LIST

ATTENTION

1. When placing an order for parts, be sure to list Part No., Model No. and the description of each part. Otherwise, the non-delivery of the part or the delivery of a wrong part may result.
2. Please make sure that Part No. is correct when ordering.
If not, a part different from the one you ordered may be delivered.
3. Since the parts shown in Parts List of Preliminary Service Manual may have been the subject of changes, please use this Parts List for all future reference.

HOW TO USE THIS PARTS LIST

1. This Parts List lists those parts which are considered necessary for repairs.
2. The Recommended Spare Parts List shows those parts in the Parts List which are considered particularly important for service.
3. How to read the Parts List
Numbering system of resistor.

<u>346</u>	<u>00001</u>
Part	Serial Number
(Resistor)	

 - The unit of resistance is Ω (ohm)
K=1000 Ω M=1000k Ω
 - The unit of capacitance is μ F(microfarad)
P=10⁻⁶ μ F
4. When Part No. is known, Parts Index at end of Parts List can be used to locate where that part is shown in Parts List by its Reference No. listed at right of Part No.

WARNING

Δ (*) Indicates safety critical components for continued safety, replace safety critical components only with manufacture's recommended parts.

V-6

REFERENCE DESIGNATOR	ORDERING NUMBER	NAME AND DESCRIPTION	
MAIN	31400015	P.C.B	284X95X1.6t (CEM-1)
U301,401	30000001	I.C	NJM4558DD
Q310,312,410,412	30100004	T.R NPN	2SC 3856Y
Q309,311,409,411	30100003	T.R PNP	2SA 1492Y
Q308,408	30100005	T.R NPN	2SC 4381Y
Q307,407	30100006	T.R PNP	2SA 1667Y
Q415,417	30100010	T.R PNP	KTA 1023Y
Q305,405,416	30100009	T.R NPN	KTC 1027Y
Q303,403	33400013	T.R PNP	KTA 1268 GR
Q306,406	33400008	T.R NPN	KTC 3198Y
Q304,404	30100011	T.R NPN	KTC 2238 AY
Q313,413	33400012	T.R NPN	KTC 3200 GR
Q414	00700003	F.E.T	2SK 367 GR
Q301,302,401,402	33400017	F.E.T	2SK 30A GR
Q319,419	33500003	S.B.S	MBS 4991
Q318,418	30100007	TRIAC	M1661S
D301,304,310,311,313,314	32900007	DIODE(SW)	1N 4148
D401,404,410-414	32900007	DIODE(SW)	1N 4148
D302,303,402,403	33500010	DIODE(Z)	15V 1W
D305,405	33500008	DIODE(Z)	12V 0.5W
D415	33400018	L.E.D	KLR 124L
TH401	32400001	THERMISTOR	150K OHM LUG TYPE
R361,461	34600094	RES. CF	10 OHM 1/4W J
R320,420	34600095	RES. CF	22 OHM 1/4W J
R319,419	34600097	RES. CF	68 OHM 1/4W J
R313,344-347,413,444-447,332	34600098	RES. CF	100 OHM 1/4W J
R305,405	34600099	RES. CF	150 OHM 1/4W J
R348,448	34600100	RES. CF	220 OHM 1/4W J
R310,349,410,449	34600106	RES. CF	1 KOHM 1/4W J
R317,318,417,418	34600108	RES. CF	1.8 KOHM 1/4W J
R362,456,462	34600109	RES. CF	2.2 KOHM 1/4W J
R351,451	34600110	RES. CF	2.7 KOHM 1/4W J
R307,308,407,408	34600112	RES. CF	4.7 KOHM 1/4W J
R309,409,455	34600115	RES. CF	10 KOHM 1/4W J
R350,450,454,331	34600118	RES. CF	18 KOHM 1/4W J
R459	34600120	RES. CF	27 KOHM 1/4W J
R457,460	34600122	RES. CF	47 KOHM 1/4W J
R311,411,453	34600128	RES. CF	150 KOHM 1/4W J
R306,406,452	34600130	RES. CF	1 MOHM 1/4W J
R443	34600022	RES. CF	1 KOHM 1/2W J
R458	34600086	RES. CF	12 KOHM 1/2W J
R333,433	34600027	RES. MF	330 OHM 1/4W F
R334,434	34600040	RES. MF	680 OHM 1/4W F
R312,412	34600092	RES. MF	1.2 KOHM 1/4W F
R301,302,401,402	34600077	RES. MF	10 KOHM 1/4W F
R314,414	34600046	RES. MF	18 KOHM 1/4W F
R303,304,403,404	34600310	RES. MF	33 KOHM 1/4W F
R321,322,421,422	34600010	RES. MO	3.3 KOHM 1W J
R341,441	34600180	RES. MO	4.7 OHM 2W J
R335,336,435,436	34600007	RES. MO	100 OHM 2W J
R315,316,415,416	34600008	RES. MO	3.3 KOHM 2W J
	34600220	RES. MO	33 OHM 3W J

V-6

REFERENCE DESIGNATOR	ORDERING NUMBER	NAME AND DESCRIPTION	
R337-340,437-440	34600004	RES. CEMENT	0.22 OHM 5W J
R342,442	34600002	RES. CEMENT	4.7 OHM 5W J
C327,427,429	34100001	CAP. ELE	0.22uF 50V
C311,312,411,412	34100011	CAP. ELE	33uF 16V
C318,418	34100015	CAP. ELE	47uF 50V
C303,306,308,403,406,408,430	34100008	CAP. ELE	10uF 50V
C332,333,432,433	34100014	CAP. ELE	47uF 25V
C428	34100004	CAP. ELE	1uF 50V
C314,414	34100009	CAP. ELE	22uF 16V
C304,404	34100005	CAP. ELE	2.2uF 50V
C317,417	34200003	CAP. CERAMIC	CH 22pF 100VJ
C301,302,401,402	34200010	CAP. CERAMIC	CH 100pF 100VJ
C315,415	34200011	CAP. CERAMIC	CH 120pF 100VJ
C305,405	34200012	CAP. CERAMIC	CH 150pF 100VJ
C309,409,322	34200013	CAP. CERAMIC	CH 220pF 100VJ
C307,316,407,146	34200017	CAP. CERAMIC	102pF 100VJ
C323,324,423,424	34300006	CAP. CERAMIC	CH 220pF 500V J
C310,313,326,410,413,426	34400027	CAP. MYLAR	M104 100VJ
C325,425	34400023	CAP. MYLAR	M473 100VJ
L301,401	33800014	INDUCTOR COIL	2.2uH
	33500013	IC SOCKET	8 PIN
POWER	31400037	P.C.B.	94X147X1.6t (CEM-1)
IC601	30000005	IC	KIA 7815
D502	33500005	DIODE(R)	1N 4001
D601	32900007	DIODE(SW)	1N 4148
D503	33600009	DIODE(B)	KBPC 2506
D603	33000001	DIODE(B)	KBL 102
D501	33400019	L.E.D	KLG 124L
C501,601	34100009	CAP. ELE.	22uF 16V
C603	34100014	CAP. ELE.	47uF 16V
C605	34100025	CAP. ELE.	1000uF 25V
C504-507	34100068	CAP. ELE.	4700uF 75V
C502,503,602,604	34400027	CAP. MYLAR	104 100VJ
C508,509,	34200019	CAP. CERAMIC	103 400VJ
Q602,603,	33400012	TR. NPN	KTC 3200GR
Q501,	33400009	TR. NPN	KTC 1027Y
Q605,607-609	33400014	TR. PNP	KTA 1266Y
Q604	33400015	TR. PNP	KTA 1276Y
R601	34600132	RES. CF	33 OHM 1/4W J
R606	34600102	RES. CF	470 OHM 1/4W J
R607,611	34600103	RES. CF	560 OHM 1/4W J
R612	34600158	RES. CF	1.2K OHM 1/4W J
R502	34600107	RES. CF	1.5K OHM 1/4W J
R501	34600109	RES. CF	2.2K OHM 1/4W J
R604,701	34600111	RES. CF	3.3K OHM 1/4W J
R610	34600112	RES. CF	4.7K OHM 1/4W J
R608	34600139	RES. CF	8.2K OHM 1/4W J
R609	34600140	RES. CF	11K OHM 1/4W J
R605	34600123	RES. CF	56K OHM 1/4W J
R602	34600152	RES. CF	2.2M OHM 1/4W J
	34600208	RES. MO	100 OHM 2W J

V-6

REFERENCE DESIGNATOR	ORDERING NUMBER	NAME AND DESCRIPTION	
	34700001	FUSE CLIP	5P
V/R	31400052	P.C.B.	197X110X1.6t (CEM-1)
VR1,2	32600035	ROUND VOLUME	RV160-30-20S-A10K C41
Q201,202	33400029	TR. NPN	C3198 GR
D205	33400024	L.E.D.	KLY 114L
D101,103	38700080	L.E.D.	YLG-503M-F
D102,201,202	38700070	L.E.D.	YLR5-503M-F
R202,203	34600106	RES. CF	1K OHM 1/4W J
R201	34600107	RES. CF	1.5K OHM 1/4W J
R204,205	34600108	RES. CF	1.8K OHM 1/4W J
R206,207	34600154	RES. CF	110K OHM 1/4W J
C201,202	34100060	CAP. ELE	2.2uF 50V
INPUT JACK	31400039	P.C.B	67X59X1.6t (CEM-1)
X101,102	31300003	XLR JACK	X902-03
P101,102	32000002	PHONE JACK	N112 BPC OR APC
SW1	31700004	SLIDE SWITCH	KSA-2222
C103,106,107,108	34100052	CAP. ELE.	4.7uF 50V
C101,102,104,105	34100053	CAP. ELE	22uF 16V
	34900009	JUMP WIRE	13mm
TRIAC	31400046	P.C.B.	50X70X1.6t (CEM-1)
	31200002	TRIAC	BTA41-600B
	34600016	RES. MO	47 OHM 1W J
CHASSIS	33800017	TRANS	V-6
	30200003	SW. POWER	H 8660VB
	37300003	DC. FAN	AD0812HB-A70GL(0.25mm)
	34700012	FUSE(120V)	65M 250V 12A
	34700031	FUSE(220/230V)	5T 250V T6.3A
	30200001	FUSE HOLDER	D 0345 RA
	37300005	BANANA JACK	B2029002ON
SAA	33700008	POWER CORD(240V)	KKP-550A
VDE/SFDN	33700005	POWER CORD(220V)	KKP-4819D
CSA	33700001	POWER CORD(220V)	KKP-30B
KS		POWER CORD(240V)	GS-302-75 3C/0.75mm 6FT
SWISS		POWER CORD(220V)	I.P37H03VV-F3C/0.75mm 6FT
JIS		POWER CORD(100V)	I.P12SPT-2 2C/18AWG 6FT
UL		POWER CORD(120V)	KKP-30A
KS		POWER CORD(220V)	KKP 4819D SVT18
VDE/SFDN/CENE/SWISS/SAA/UK	33500015	CORD STOPPER	SR-6W-1
JIS/KEMA		CORD STOPPER	SR-4N-4
CSA		CORD STOPPER	SR-6N3-4
UL		CORD STOPPER	SR-5N-4