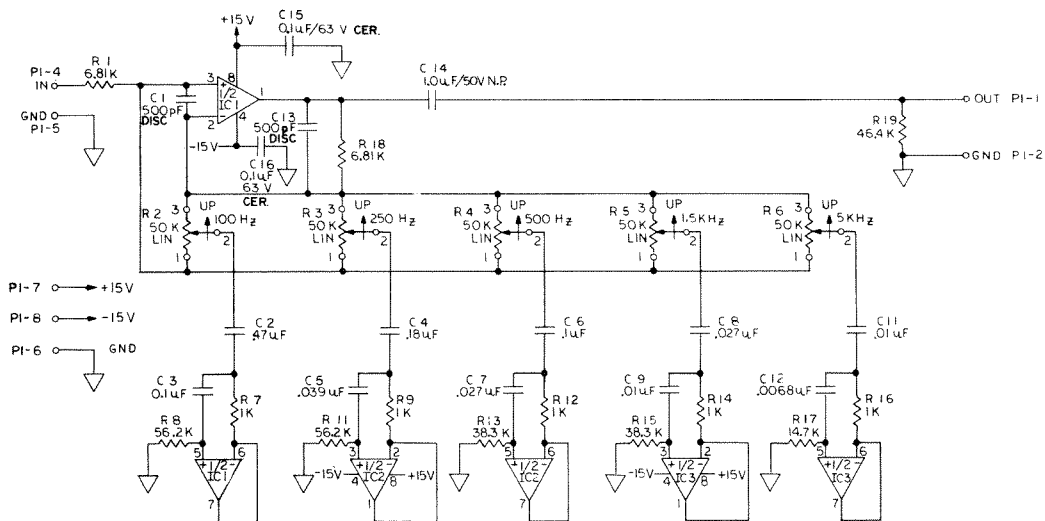


8. UNLESS OTHERWISE SPECIFIED, ALL CAPS. ARE DISC/CERAMIC:
 NP - NON-POLARIZED ELECTROLYTIC
 $\frac{H}{\square}$ - POLARIZED ELECTROLYTIC
7. TRANSISTORS Q5&6 ARE TIP29D P/N 020597
 6. TRANSISTORS Q4&7 ARE TIP30D P/N 020598
 5. TRANSISTORS Q1,2&3 ARE 2N5210 P/N 020482
 4. DIODES D1 & D2 ARE P/N 006260.
 Δ MOUNTED ON HEAT SINK.
 2. ALL CAPACITOR VALUES ARE IN MICROFARADS.
 1. ALL RESISTOR VALUES ARE IN OHMS $\pm 1\%$, $\frac{1}{4}$ W.
- NOTES: UNLESS OTHERWISE SPECIFIED

Fender / ROGERS / Rhodes
 CBS MUSICAL INSTRUMENTS - A DIVISION OF CBS, INC.
 FULLERTON, CALIFORNIA 92631

PART NAME
SCHEMATIC
150 WATT POWER AMPLIFIER

RELEASE P1-10-78	SIZE C	PART NO. 019373	REV A
SCALE		MODEL USED ON NO. SHOWMAN	

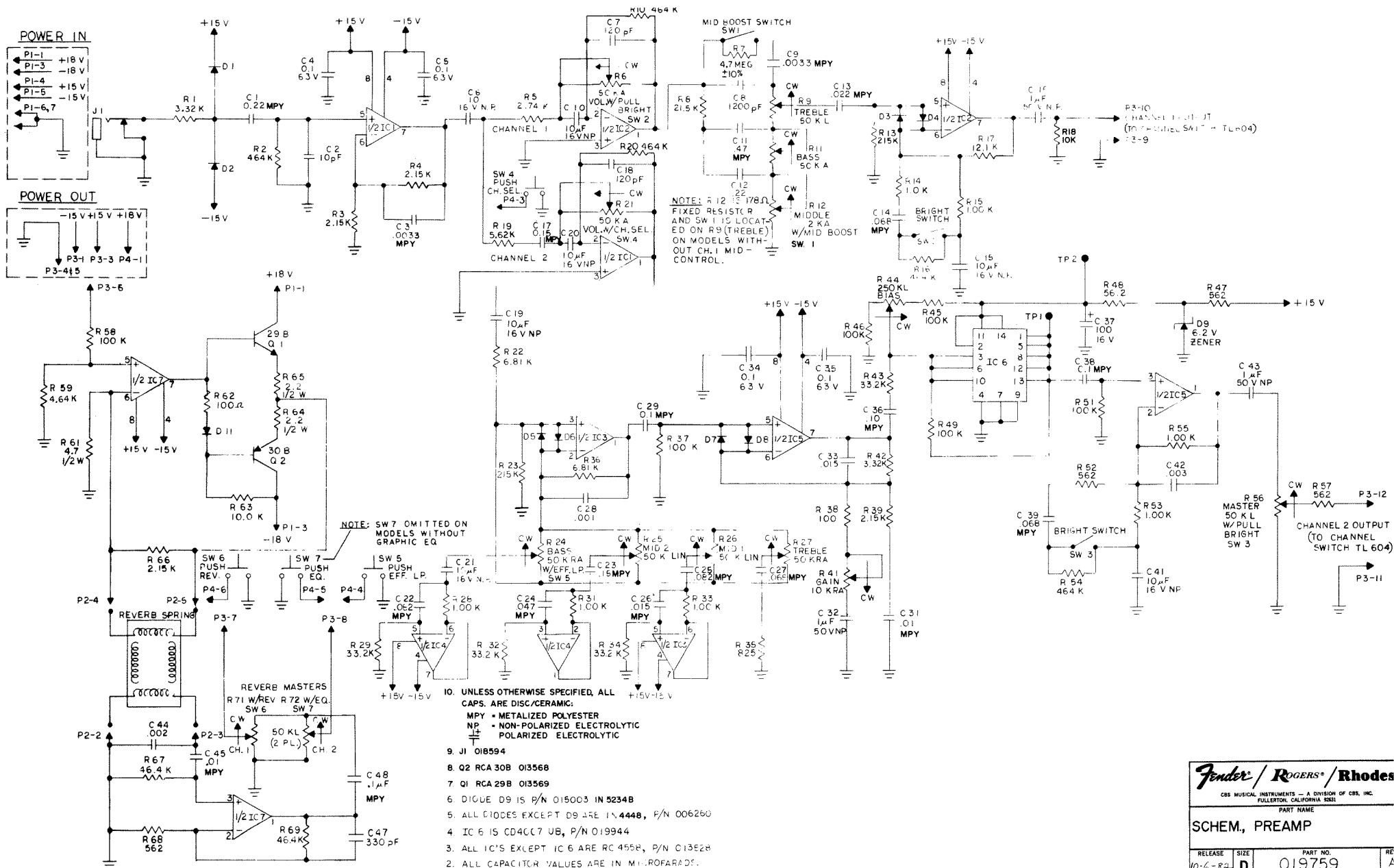


5. UNLESS OTHERWISE SPECIFIED, ALL CAPS. ARE METALLIZED POLYESTER.
 NP - NON-POLARIZED ELECTROLYTIC
4. ITEM DESIGNATIONS IN DECADES OF 10 ARE OMITTED.
 3. ALL IC'S ARE RC4558, P/N 013528.
 2. ALL CAPACITORS ARE 16V MINIMUM RATING.
 1. ALL RESISTOR ARE OHMS $\pm 1\%$, $\frac{1}{4}$ WATT.
- NOTES: UNLESS OTHERWISE SPECIFIED

Fender / ROGERS / Rhodes
 CBS MUSICAL INSTRUMENTS - A DIVISION OF CBS, INC.
 FULLERTON, CALIFORNIA 92631

PART NAME
SCHEMATIC, 5 BAND GRAPHIC
EQUALIZER

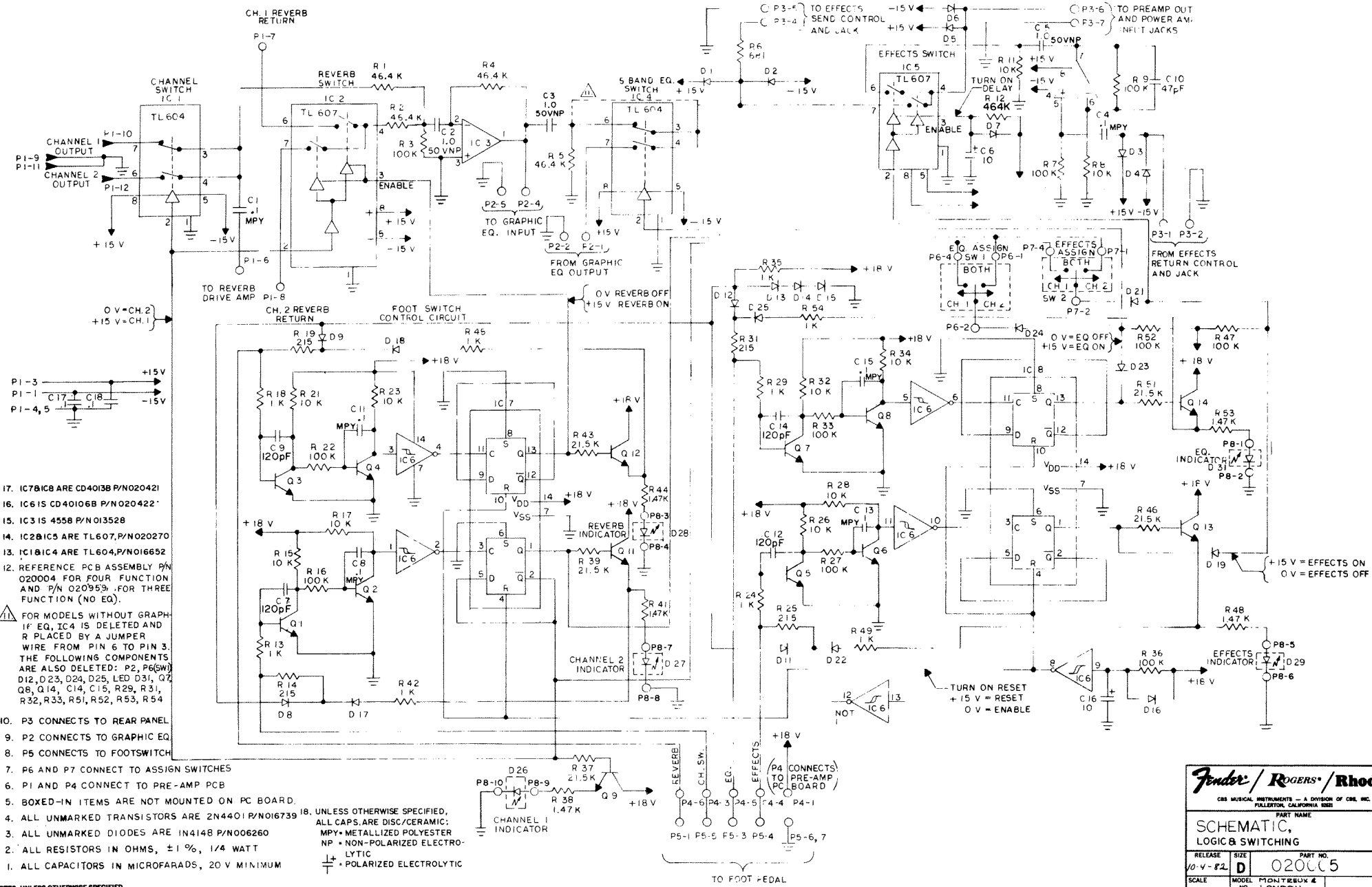
RELEASE P1-10-77/SC	SIZE C	PART NO. 019550	REV A
SCALE		MODEL USED ON NO. LONDON	



NOTES: UNLESS OTHERWISE SPECIFIED

1. ALL RESISTOR VALUES ARE IN OHMS, $\frac{1}{4}$ W., $\pm 1\%$

Fender / ROGERS® / Rhodes			
<small>CBS MUSICAL INSTRUMENTS — A DIVISION OF CBS, INC. FULLERTON, CALIFORNIA 92631</small>			
<small>PART NAME</small>			
SCHEM., PREAMP			
RELEASE	SIZE	PART NO.	RE
10-6-82	D	019759	A
SCALE	MODEL (OR USED O.I. NO.)	MONT. LONDON	



17. IC78IC8 ARE CD4013B P/N020421
16. IC6 IS CD40106B P/N020422
15. IC3 IS 4558 P/N013528
14. IC28IC5 ARE TL607, P/N020270
13. IC18IC4 ARE TL604, P/N016652
12. REFERENCE PCB ASSEMBLY P/N 020004 FOR FOUR FUNCTION AND P/N 020959 FOR THREE FUNCTION (NO EQ).

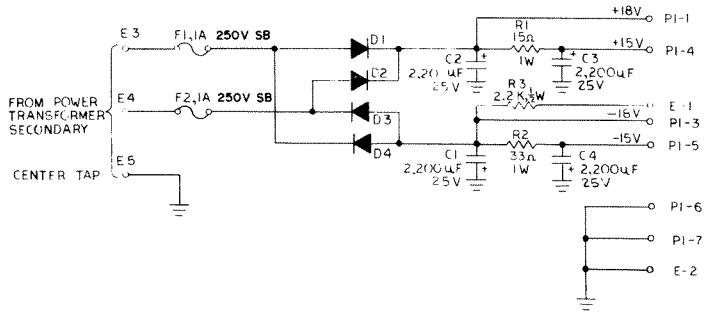
FOR MODELS WITHOUT GRAPHIC EQ, IC4 IS DELETED AND R PLACED BY A JUMPER WIRE FROM PIN 6 TO PIN 3. THE FOLLOWING COMPONENTS ARE ALSO DELETED: P2, P6(SW), D12, D23, D24, D25, LED D31, Q7, Q8, Q14, C14, C15, R29, R31, R32, R33, R51, R52, R53, R54

10. P3 CONNECTS TO REAR PANEL
9. P2 CONNECTS TO GRAPHIC EQ.
8. P5 CONNECTS TO FOOTSWITCH
7. P6 AND P7 CONNECT TO ASSIGN SWITCHES
6. P1 AND P4 CONNECT TO PRE-AMP PCB
5. BOXED-IN ITEMS ARE NOT MOUNTED ON PC BOARD.
4. ALL UNMARKED TRANSISTORS ARE 2N4401 P/N016739
3. ALL UNMARKED DIODES ARE IN4148 P/N006260
2. ALL RESISTORS IN OHMS, $\pm 1\%$, 1/4 WATT
1. ALL CAPACITORS IN MICROFARADS, 20 V MINIMUM

18. UNLESS OTHERWISE SPECIFIED, ALL CAPS. ARE DISC/CERAMIC; MPY= METALLIZED POLYESTER NP = NON-POLARIZED ELECTROLYTIC
- + = POLARIZED ELECTROLYTIC

NOTES: UNLESS OTHERWISE SPECIFIED

Fender / ROGERS[®] / Rhodes[®]			
CBS MUSICAL INSTRUMENTS - A DIVISION OF CBS, INC. FULLERTON, CALIFORNIA 92631			
PART NAME			
SCHEMATIC, LOGIC & SWITCHING			
RELEASE 10-4-82	SIZE D	PART NO. 020005	REV
SCALE NO.		MODEL MONITORBOX & LONDON	



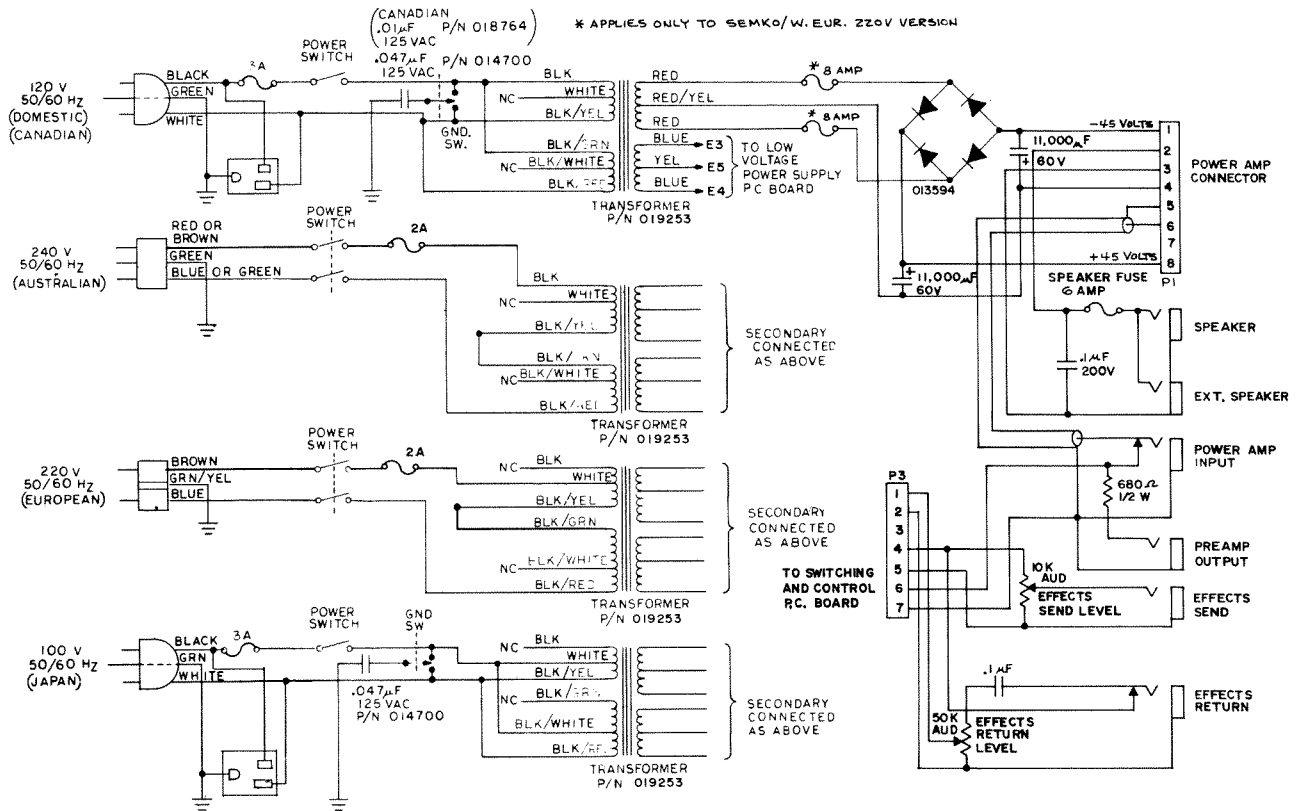
NOTES: UNLESS OTHERWISE SPECIFIED

I, DICDF, ARE 1.5 AMP, 200 VOLT, P/N 018030

Fender / ROGERS / Rhodes
 CBS MUSICAL INSTRUMENTS - A DIVISION OF CBS, INC.
 FULLERTON, CALIFORNIA 92631

PART NAME
SCHEMATIC, LOW VOLTAGE P/S

RELEASE	SIZE	PART NO.	REV
10-7-82	B	020051	A
SCALE	MODEL	ID# USED ON LONDON, MONT.	



NOTES: UNLESS OTHERWISE SPECIFIED

Fender / ROGERS / Rhodes
 CBS MUSICAL INSTRUMENTS - A DIVISION OF CBS, INC.
 FULLERTON, CALIFORNIA 92631

PART NAME
SCHEMATIC, A.C. WIRING SH-OWMAN

RELEASE	SIZE	PART NO.	REV
10-7-82	C	021256	D
SCALE	MODEL	NO.	