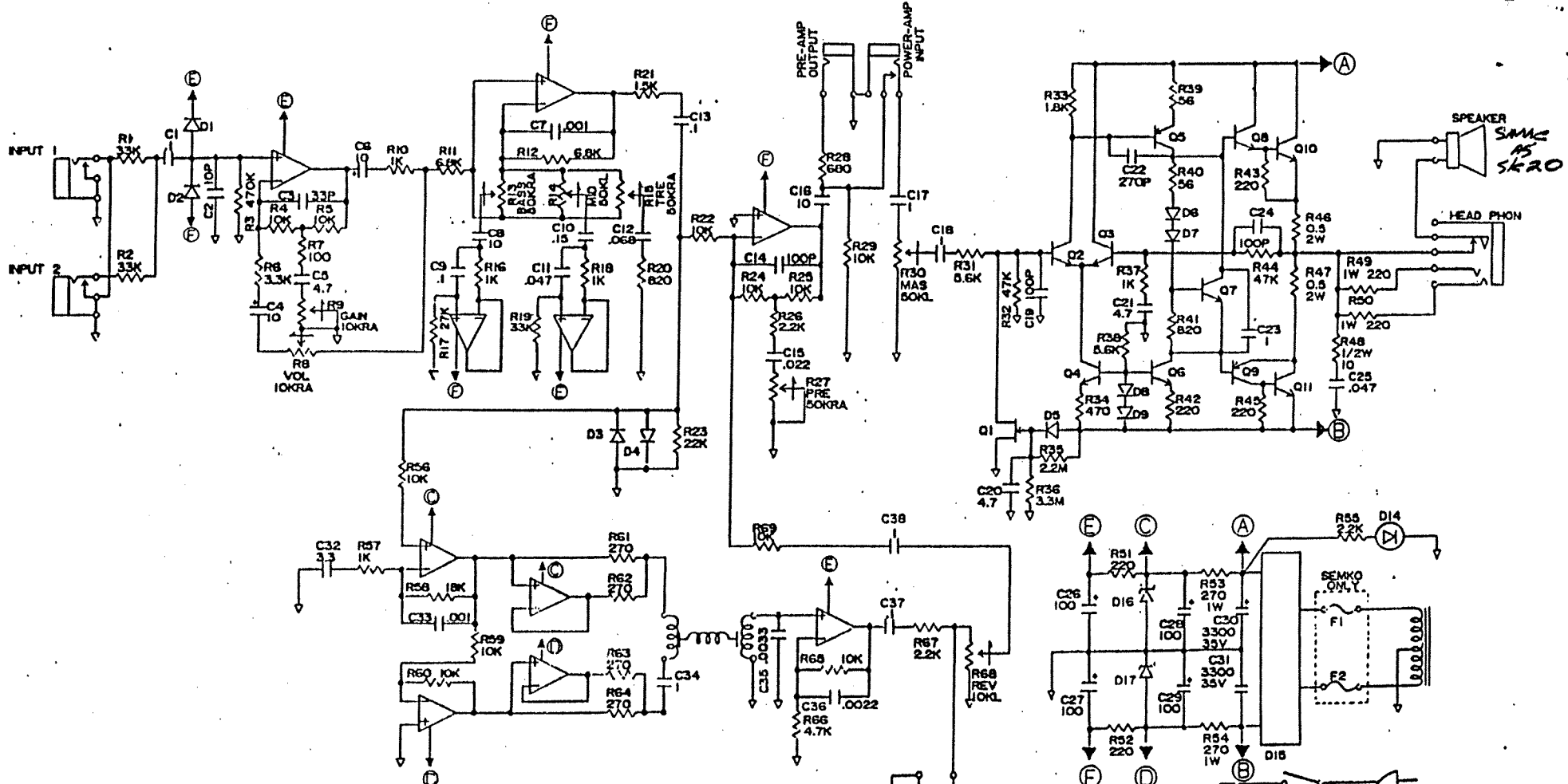
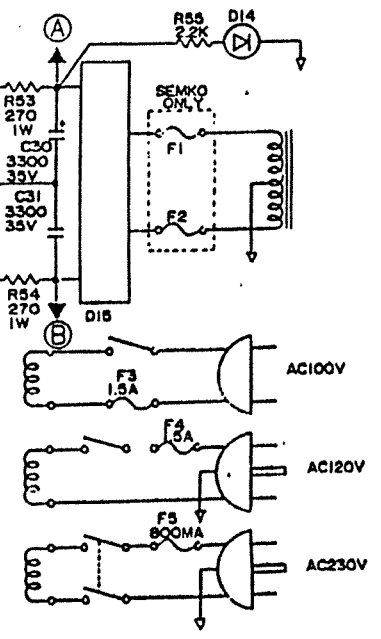


SCHEMATIC-SIDEKICK-25-REVERB



1. ALL CAPACITOR VALUES ARE IN MICROFARAD.
2. ALL RESISTOR VALUES ARE IN OHMS, 1/4W, 5%.
3. ALL IC ARE M5218.
4. DIODE 1,2,3,4,5,6,7,8 AND 9 ARE DS442.
5. DIODE 16 AND 17 ARE GZA-10Z.
6. DIODE 13 IS DBA-30C.
7. Q1 IS 2SK-30GR.
8. Q2,3,4 AND 6 ARE 2SC-1815GR.
9. Q5 IS 2SA-1015GR.
10. Q7 IS 2SD-600C.
11. Q8 IS 2SD-43B.
12. Q9 IS 2SB-560.
13. Q10 AND 11 ARE 2SD-313E.

#025273
pedal



155136