

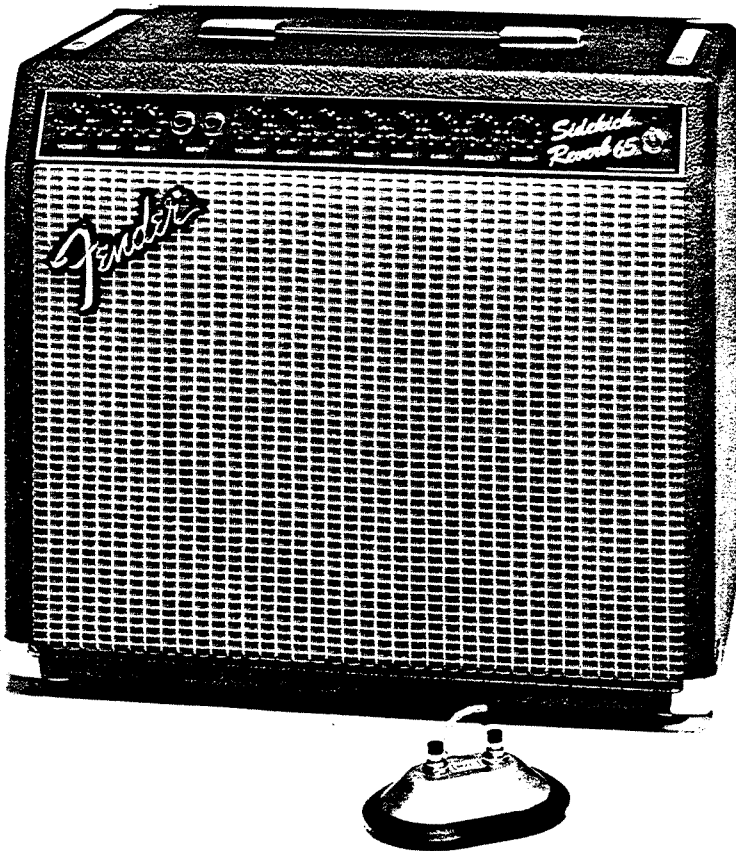
Fender® Facts

1130 COLUMBIA STREET

BREA, CALIFORNIA 92621

**NEW
PRODUCT
UPDATE**

SIDEKICK 65 REVERB



FEATURES (Front Panel)

- 2 Inputs
- 2 Independent Channels or Channel Switching
- Channel A: Volume, Treble, Bass
- Channel B: Volume/Gain/Master; Treble, Middle, Bass
- Presence and Reverb, Both Channels
- On/Off Switch

(Rear Panel)

- Pre-Amp Output
- Power Amp Input
- Footswitch

SPECS

Power Output: 65 watts
 Height: 16 $\frac{1}{4}$ " (41.3 cm)
 Width: 18 $\frac{1}{2}$ " (47 cm)
 Depth: 10 $\frac{3}{4}$ " (27.3 cm)
 Weight: 35 lbs. (15.9 kg)
 Speaker: 1x12" (made in U.S.A.)
 Cabinet: Open Back (made in U.S.A.)
 Part Number: 23-1300 • 23-1350 export

The **SIDEKICK 65 REVERB** may possibly be the best price vs performance amplifier available from ANY manufacturer. This unit is *either* a discrete two (2) channel amplifier or an extremely versatile channel switching model. There are two (2) Inputs; if Input 1 is used, the amp will operate in the channel switch mode; if Input 1 AND Input 2 are used the channels operate independently; if Input 2 is used both channels are combined. Channel A has Volume, Treble and Bass controls. Channel B employs Fender's versatile Volume/Gain/Master control system allowing for clean rhythm or heavy distortion. Active tone controls

(Treble, Middle, Bass) provide extensive tonal variation. The famous Fender "Presence" control adds overall brilliance to BOTH channels. The Reverb control adjusts the amount of reverberation for BOTH channels. There is a footswitch *included* with the amp that allows for channel switching and reverb on and off. The rear panel has a Pre-Amp Output and Power Amp Input. The Sidekick 65 Reverb uses a U.S. made 12" speaker, driven by 65 watts of power. The cabinet is also made in the U.S. and is covered with durable Tolex and uses Fender's high grade hardware.

*** FENDER** SIDEKICK 66 REVERB

PART LIST

Page - 1

85/11/14

PARTS.No	DESCRIPTION	MODEL	QTY
025118	OP AMP	M5218P	6
023194	TRANSISTOR	2SD1046E or F	2
025124	TRANSISTOR	2SC2362	3
025121	TRANSISTOR	2SA1015GR	2
022969	TRANSISTOR	2SD600E or F	4
022967	TRANSISTOR	2SB631	3
022865	FET	2SK30GRATM	3
025131	DIODE	DBA-40C	1
025133	DIODE	DSF-10C	4
025135	DIODE	DS442	16
022832	ZENER DIODE	BZ-150	2
025141	RESISTOR 1/4W 5x	2.2 OHM	2
025142	RESISTOR 1/4W 5x	4.7 OHM	1
025144	RESISTOR 1/4W 5x	56 OHM	2
016934	RESISTOR 1/4W 5x	100 OHM	5
025145	RESISTOR 1/4W 5x	150 OHM	2
025147	RESISTOR 1/4W 5x	270 OHM	1
022874	RESISTOR 1/4W 5x	470 OHM	1
024101	RESISTOR 1/4W 5x	680 OHM	1
024102	RESISTOR 1/4W 5x	820 OHM	3
022975	RESISTOR 1/4W 5x	1K OHM	7
016951	RESISTOR 1/4W 5x	1.2K OHM	1
022976	RESISTOR 1/4W 5x	1.5K OHM	1
022977	RESISTOR 1/4W 5x	2.2K OHM	9
025151	RESISTOR 1/4W 5x	2.7K OHM	1
022979	RESISTOR 1/4W 5x	3.3K OHM	4
022980	RESISTOR 1/4W 5x	5.6K OHM	2
025152	RESISTOR 1/4W 5x	6.8K OHM	2
022878	RESISTOR 1/4W 5x	10K OHM	6
022981	RESISTOR 1/4W 5x	22K OHM	1
025157	RESISTOR 1/4W 5x	27K OHM	1
024104	RESISTOR 1/4W 5x	33K OHM	2
022982	RESISTOR 1/4W 5x	47K OHM	13
022987	RESISTOR 1/4W 5x	100K OHM	7
022884	RESISTOR 1/4W 5x	470K OHM	2
022990	RESISTOR 1/4W 5x	1M OHM	1
022991	RESISTOR 1/4W 5x	2.2M OHM	1
022992	RESISTOR 1/4W 5x	3.3M OHM	1
025164	RESISTOR 1/2W 5x	220 OHM	2
022997	RESISTOR 1W 5x	10 OHM	1
022835	RESISTOR 5W 5x	0.5 OHM	2
025180	CAPACITOR ELE	0.47 MFD-50 V	1
022899	CAPACITOR ELE	1 MFD-50 V	7
022900	CAPACITOR ELE	3.3 MFD-25 V	1
021105	CAPACITOR ELE	10 MFD-25 V	8
022901	CAPACITOR ELE	47 MFD-16 V	1
025182	CAPACITOR ELE	47 MFD-25 V	1
022904	CAPACITOR ELE	330 MFD-16 V	2
025184	CAPACITOR ELE	470 MFD-35 V	2
022840	CAPACITOR ELE	4700 MFD-50 V	2
024118	CAPACITOR MYL	0.001 MFD	1
024111	CAPACITOR MYL	0.0022 MFD	1
023012	CAPACITOR MYL	0.0047 MFD	1
023013	CAPACITOR MYL	0.01 MFD	6
022894	CAPACITOR MYL	0.022 MFD	2
022896	CAPACITOR MYL	0.047 MFD	6
025191	CAPACITOR MYL	0.068 MFD	1
023014	CAPACITOR MYL	0.1 MFD	5
025190	CAPACITOR MYL	0.15 MFD	1
023007	CAPACITOR DISC	10 PF	2
022890	CAPACITOR DISC	47 PF	2
023009	CAPACITOR DISC	100 PF	4
025175	CAPACITOR DISC	220 PF	2
025176	CAPACITOR DISC	270 PF	2
023049	CAPACITOR DISC	470 PF	2

*** FENDER** SIDEKICK 66 REVERB

PART LIST

Page - 3

85/11/14

PARTS.No	DESCRIPTION	MODEL	QTY
025444	CORNER BLOCK	20mm	8
025356	MANUAL	SKM-851	1
025358	WARRANTY CARD	SKW-1	1
025447	POLY PACK	PE04x200x280	1
025636	POLY PACK	NO-4	1
025449	SERIAL LABEL	FOR CARTON	1
025451	BLUE SEAL	FOR CARTON	1

*** FENDER** SIDEKICK 66 REVERB

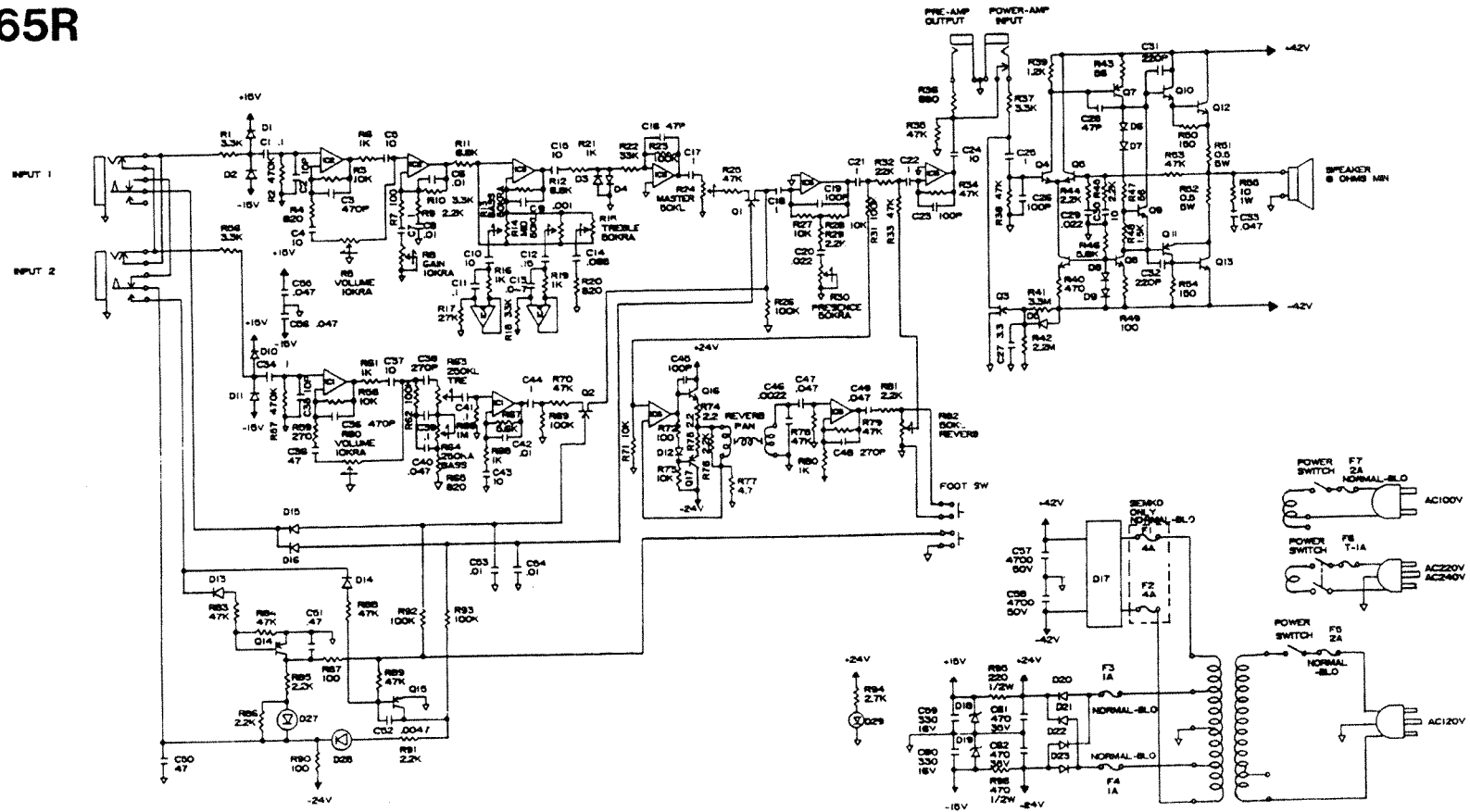
PART LIST

Page - 2

86/11/14

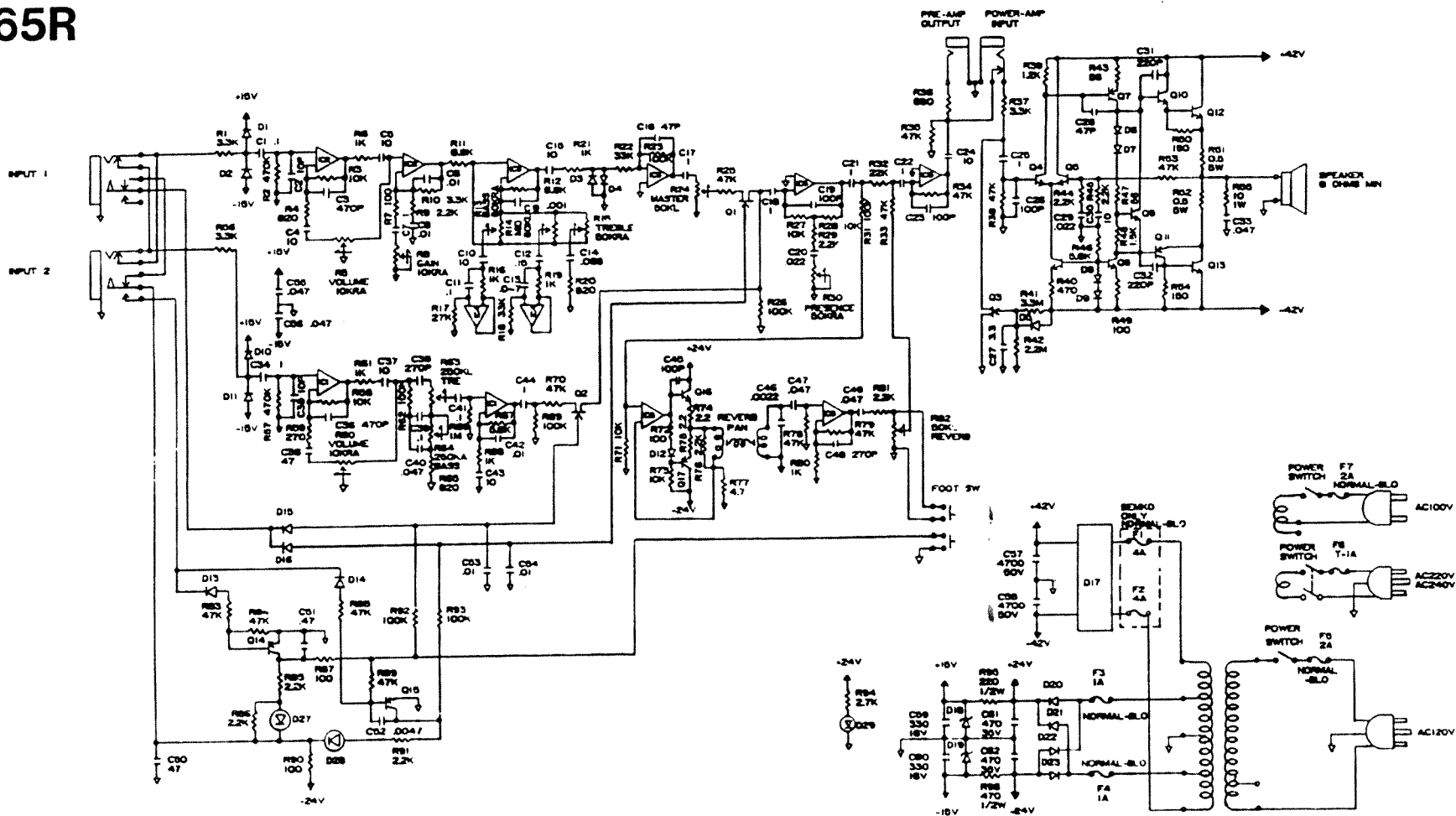
PARTS.No	DESCRIPTION	MODEL	QTY
025189	CONTROL 18-SER	50K OHM LIN	3
025200	CONTROL 18-SER	50K OHM RA	3
025202	CONTROL 18-SER	10K OHM RA	3
025196	CONTROL 18-SER	250K OHM AUD	1
025198	CONTROL 18-SER	250K OHM LIN	1
025217	P.C.B.	FELK-8500651	1
025274	FOOT SWITCH	FT-2	1
025472	LED	TLR-206	1
022908	LED	PR5534S	2
025473	LED GRIP	FOR TLR-206	1
022909	LED GRIP	FOR PR5534S	2
025210	JACK INPUT	TJ065-080-01	1
022922	JACK SEND-RETURN	TJ125-020-01	2
025228	CHASSIS	C-SK-65R	2
025238	FRONT PANEL	FP-SK-65R1	1
025249	REAR PANEL	BP-SK-65R1	1
025261	HEATSINK	HS-SK-65R	1
022924	FUSE HOLDER	FH-032	1
025281	FUSE CLIP	F-208	1
023021	FUSE	NORMAL-BLO 1A	4
022842	FUSE	NORMAL-BLO 2A	2
025276	POWER TRANS	F-168UC	1
025279	POWER SWITCH	CTA-01 CSA	1
022926	POWER CORD	SJT 2.4M	1
025469	WIRE ASSY	WSK-65R	1
025287	CONNECTOR FLAT	5273-05A	1
025292	CONNECTOR HOUSING	5239-05A	1
025297	CONNECTOR TERMINAL	5167TL	1
025299	LAG	2L4P	5
025415	CORD TAI	CV-70	1
022955	CORD GLIP	KD-5N	6
025416	CORD TAI-2	VINYL	2
023088	P.C.B.SUPPORT	PCB4L	1
025300	KNOB	FK-2	3
025301	BUSH	SR-6P3-4 (POWER)	12
021691	BUSH	KF-21 (SPEAKER)	1
025616	BUSH	SR-4 (REVERB)	1
025417	CAUTION LABEL	CSF-1	1
025418	GRAND LABEL	GLF-1	1
025307	CABINET W/TOLEX & GRILL CLOTH	CABSK-65R5	1
011298	FENDER LOGO	FL-3	1
025318	HANDLE	HSK-FE	1
019276	HANDLE CAP	HCSK-20	1
025319	STRAP	FS65R1	2
019308	GLIDE ASSY	PFSK-50	2
024695	CORNER	CFE-1	4
025360	SPEAKER	F3027L-32-500	6
025269	REVERB PAN	SR01542C	1
025326	SCREW PAN	3x6 W/SW+FW	1
025327	SCREW PAN	3x8 W/SW+FW	2
025329	SCREW PAN	3x10 W/SW+FW	7
025332	SCREW PAN	3x6 TP	2
025333	SCREW PAN	4x6	2
022957	SCREW OVAL	4x30 NI	2
025335	SCREW TRUSS TP	3x12 BLK	4
025342	SCREW TRUSS TP	2.6x10 BLK	6
024126	SCREW,HANDLE	5x25 NI	2
022966	SCREW FLAT WOOD	3.1x25	4
025348	SCREW FLAT WOOD	3.8x16	8
025344	SCREW FLAT WOOD	4x25	8
025352	ROSETTE WASHER	3mm NI	4
022958	WASHER IN-LOCK	4mm	8
022964	FLANGE NUT	4mm	2
025355	LAG	4mm	8
025634	CARTON	CA-65R1	2
			1

SK-65R



1. ALL CAPACITOR VALUES ARE IN MICROFARAD.
2. ALL RESISTOR VALUES ARE IN OHMS, 1/4W, 5%.
3. ALL IC ARE MS218.
4. DIODE 17 IS DBA-40C.
5. DIODE 20, 21, 22 AND 23 ARE OS-135E.
6. DIODE 18 AND 19 ARE BZ-150.
7. Q1, 2 AND 3 2SK-30GR.
8. DIODE 1, 2, 3, 4, 5, 6, 7, 8, 9, 10, 11, 12, 13, 14, 15 AND 16 ARE DS442.
9. Q14 AND 15 ARE 2SA-1015GR.
10. Q4, 5 AND 6 ARE 2SC-236E.
11. Q7, 11 AND 17 ARE 2SB-631E.
12. Q8, 9, 10 AND 16 ARE 2SD-600C.
13. Q12 AND 13 ARE 2SD-1046E.

SK-65R



1. ALL CAPACITOR VALUES ARE IN MICROFARAD.
2. ALL RESISTOR VALUES ARE IN OHMS, 1/4W, 5%.
3. ALL IC ARE MS218.
4. DIODE 17 IS DBA-40C.
5. DIODE 20, 21, 22 AND 23 ARE DS-135C.
6. DIODE 18 AND 19 ARE BZ-150.
7. D12 AND 3 25K-30GR.
8. DIODE 1, 2, 3, 4, 5, 6, 7, 8, 9, 10, 11, 12, 13, 14, 15 AND 16 ARE DS442.
9. Q14 AND 15 ARE 2SA-1015GR.
10. Q4, 5 AND 6 ARE 2SC-2362.
11. Q7, 11 AND 17 ARE 2SB-631E.
12. Q8, 9, 10 AND 16 ARE 2SD-600E.
13. Q12 AND 13 ARE 2SD-1046E.