

FENDER SIDEKICK BASSMAN (023-2400-000)

*Fender BASSMAN60*

PARTS LIST PAGE 1 OF 2

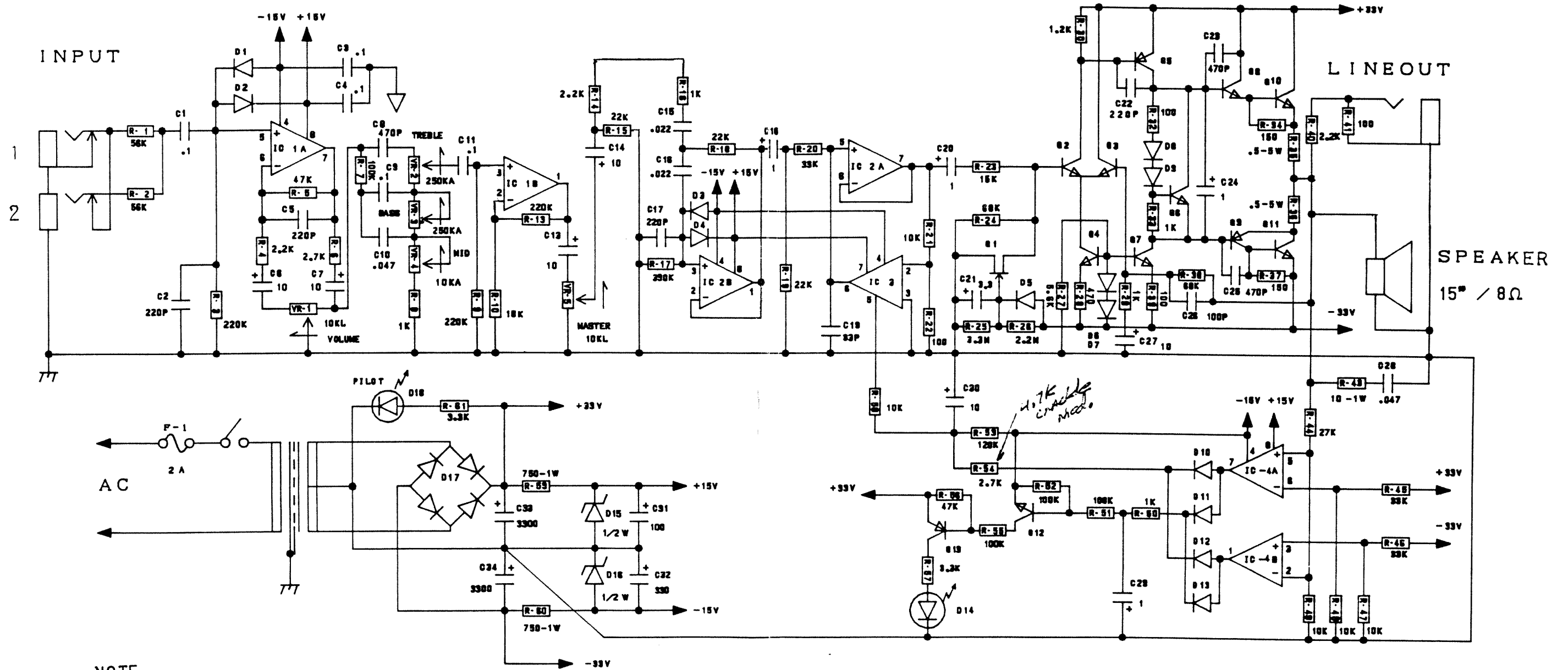
| REFERENCE       | PART # | DESCRIPTION                      | QTY |
|-----------------|--------|----------------------------------|-----|
| I.C 1,2,4       | 025118 | I.C. Op. Amp. <i>5218</i>        | 3   |
| I.C. 3          | 025644 | I.C. OTA <i>3080</i>             | 1   |
| Q1              | 022865 | Transistor 2SK30GR               | 1   |
| Q2,3,4          | 025124 | Transistor 2SC2362               | 3   |
| Q5,9            | 025123 | Transistor 2SB560                | 2   |
| Q6              | 023191 | Transistor 2SD313E               | 1   |
| Q7,8            | 027062 | Transistor 2SD438                | 2   |
| Q10,11          | 023194 | Transistor 2SD1046E              | 2   |
| Q12             | 022864 | Transistor 2SC1815GR             | 1   |
| Q13             | 025121 | Transistor 2SA1015GR             | 1   |
| D1-13           | 022868 | Diode 1S1588                     | 13  |
| D14,18          | 022908 | LED Red (pilot, limiter)         | 2   |
| D15,16          | 025140 | Diode GZA-15Z 15V Zener          | 2   |
| D17             | 025131 | Diode Bridge Rectifier DB-40C    | 1   |
| R1,2            | 022984 | Resistor 1/4W 56K Ohm            | 2   |
| R3,9,13         | 025649 | Resistor 1/4W 220K Ohm           | 3   |
| R4,14,40        | 022977 | Resistor 1/4W 2.2K Ohm           | 3   |
| R5,56           | 022982 | Resistor 1/4W 47K Ohm            | 2   |
| R6,54           | 025151 | Resistor 1/4W 2.7K Ohm           | 2   |
| R7,51,52,55     | 022987 | Resistor 1/4W 100K Ohm           | 4   |
| R8,16,28,33,50  | 022975 | Resistor 1/4W 1K Ohm             | 5   |
| R10             | 025155 | Resistor 1/4W 18K Ohm            | 1   |
| R15,18,19       | 022981 | Resistor 1/4W 22K Ohm            | 3   |
| R17             | 022883 | Resistor 1/4W 390K Ohm           | 1   |
| R20,45,46       | 024104 | Resistor 1/4W 33K Ohm            | 3   |
| R21,47,48,49,58 | 022878 | Resistor 1/4W 10K Ohm            | 5   |
| R22,32,33,41    | 016934 | Resistor 1/4W 100 Ohm            | 4   |
| R23             | 024103 | Resistor 1/4W 15K Ohm            | 1   |
| R24,38          | 022985 | Resistor 1/4W 68K Ohm            | 2   |
| R25             | 022992 | Resistor 1/4W 3.3M Ohm           | 1   |
| R26             | 022991 | Resistor 1/4W 2.2M Ohm           | 1   |
| R27             | 022980 | Resistor 1/4W 5.6K Ohm           | 1   |
| R28             | 022874 | Resistor 1/4W 470 Ohm            | 1   |
| R30             | 016951 | Resistor 1/4W 1.2K Ohm           | 1   |
| R34,37          | 025145 | Resistor 1/4W 150 Ohm            | 2   |
| R44             | 025157 | Resistor 1/4W 27K Ohm            | 1   |
| R53             | 025648 | Resistor 1/4W 120K Ohm           | 1   |
| R57,61          | 022979 | Resistor 1/4W 3.3K Ohm           | 2   |
| R43             | 022997 | Resistor 1W 10 Ohm               | 1   |
| R59,60          | 026951 | Resistor 1W 750 Ohm              | 2   |
| R35,36          | 022835 | Resistor 5W 0.5 Ohm              | 2   |
| VR1,5           | 025201 | Control 10K Lin (volume, master) | 2   |
| VR2,3           | 025196 | Control 250K Aud (treble, bass)  | 2   |
| VR4             | 026852 | Control 10K Aud (mid)            | 1   |

FENDER SIDEKICK BASSMAN (023-2400-000)

PARTS LIST PAGE 2 OF 2

| REFERENCE        | PART #                          | DESCRIPTION                       | QTY |
|------------------|---------------------------------|-----------------------------------|-----|
| C1,3,4,9,11      | 023014                          | Capacitor Mylar 0.1 ufd           | 5   |
| C15,16           | 022893                          | Capacitor Mylar 0.022ufd          | 2   |
| C10,28           | 022896                          | Capacitor Mylar 0.047ufd          | 2   |
| C12,18,20,24,29  | 022899                          | Capacitor Elec 1ufd 50V           | 5   |
| C21              | 022900                          | Capacitor Elec 3.3ufd 25V         | 1   |
| C6,7,13,14,27,30 | 021105                          | Capacitor Elec 10ufd 25V          | 6   |
| C31              | 025183                          | Capacitor Elec 100ufd 25V         | 1   |
| C32              | 022904                          | Capacitor Elec 330ufd 16V         | 1   |
| C33,34           | 025428                          | Capacitor Elec 3300ufd 50V        | 2   |
| J1,2,3           | <i>037036</i> <del>022922</del> | Jack TJ12502001 (inputs, lineout) | 3   |
| CB1              | 027095                          | Circuit board fab. (not stuffed)  | 1   |
| T1               | 030300                          | Power Transformer T61UC           | 1   |
| S1               | 025279                          | Power On/Off Switch CTA-01        | 1   |
| LP1              | 022926                          | Power Line Cord SJT-2.4M (Blk)    | 1   |
| F1               | 022842                          | Fuse 2 Ampere 61M-2A              | 1   |
| XF1              | 022924                          | Fuse Holder FH-032                | 1   |
| FK1-5            | 025300                          | Knob FK-2 (Blk)                   | 5   |
| SPK              | 030311                          | Speaker 15" 8 ohms PF-1550HC      | 1   |
| CBN              | 030313                          | Cabinet CAB-SKBN-60               | 1   |
| CS1              | 030303                          | Chassis C-SKBM-60                 | 1   |
| HS1              | 027061                          | Heatsink HS-SK-1001               | 1   |
| FPL              | 030306                          | Front Panel FP-SKBM-60            | 1   |
| BPL              | 030308                          | Rear Panel BP-SKBM-60             | 1   |
| HS1              | 025318                          | Handle HSK-FE                     | 1   |
| HC1,2            | 019276                          | Handle Cap HCSK-20                | 2   |
| CN1-6            | 024695                          | Corner CFE-1                      | 6   |
| GL1-4            | 019308                          | Glide Assembly PFSK-50            | 4   |
| PCS              | 023088                          | P.C.B. Support PCB-4L             | 1   |
| FL-2             | 011298                          | Fender Logo                       | 1   |
| CRB              | 025301                          | Cord Bushing 6N-4                 | 1   |
| WSK              | 030317                          | Wire Assembly W-SKBM-60           | 1   |
| OM-1             | 030315                          | Owners Manual MA-SKBM60           | 1   |

| LTR | REVISIONS | BY | DATE | APPV |
|-----|-----------|----|------|------|
|     |           |    |      |      |



**NOTE**

ALL DIODES ARE 1S1588 UNLESS NOTED  
 ALL CAPACITOR VALUES IN MICROFARADS  
 ALL RESISTOR VALUES IN OHMS, 1/4W, 5%  
 Q1 IS A 2SK30GR  
 Q2, 3 & 4 ARE 2SC2362  
 Q5 & 9 ARE 2SB560  
 Q6 IS A 2SD313E  
 Q7 & 8 ARE 2SD438  
 Q10 & 11 ARE 2SD1046E  
 Q12 IS A 2SC1815GR  
 Q13 IS A 2SA1015GR  
 IC 1, 2 & 4 ARE M5218P  
 IC 3 IS A CA3080  
 D15 & 16 ARE GZA-15Z

**Fender® MUSICAL INSTRUMENTS**  
 BREA, CA 92621

|                         |                |           |
|-------------------------|----------------|-----------|
| SCALE:                  | APPROVED BY:   | DRAWN BY: |
| DATE:                   |                | REVISED:  |
| <b>SIDEKICK BASSMAN</b> |                |           |
| SIZE                    | DRAWING NUMBER | REV       |
| B                       |                |           |