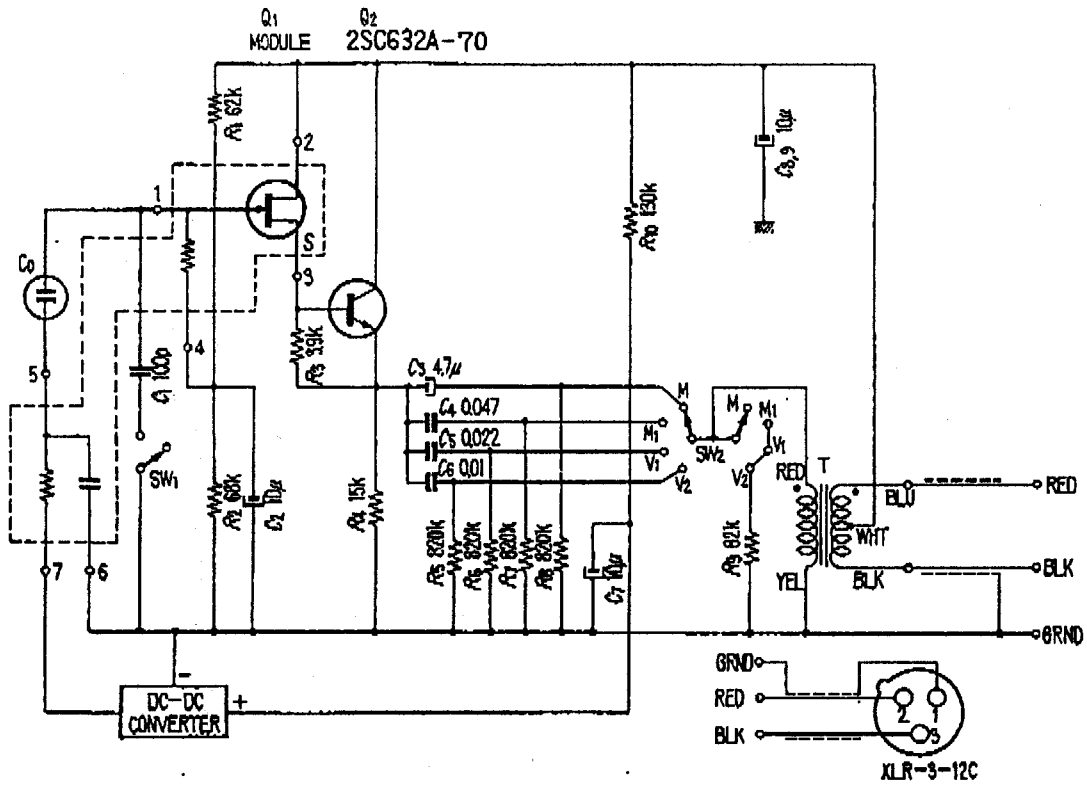
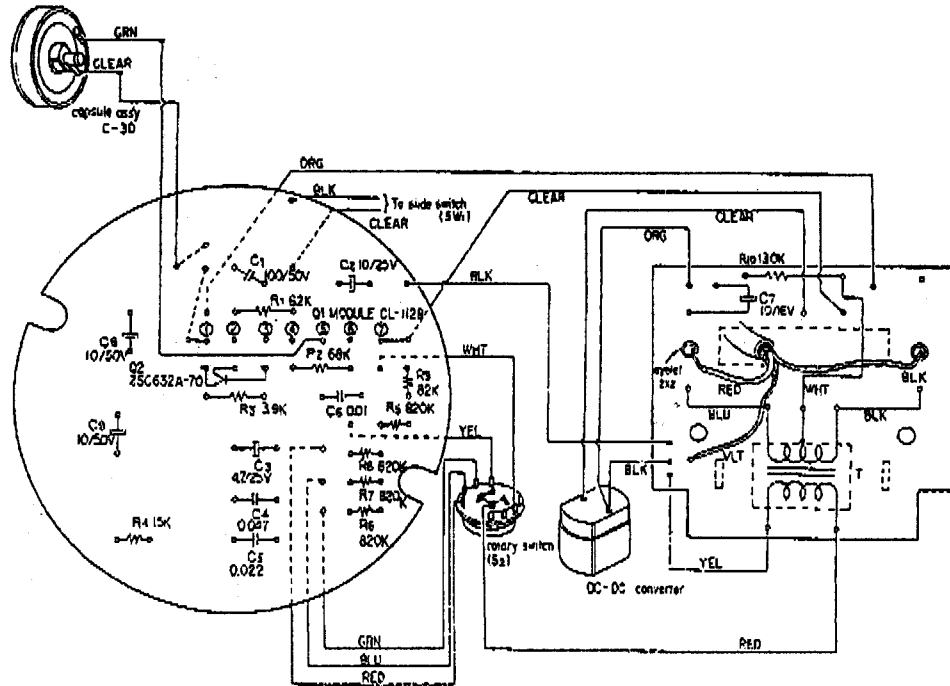


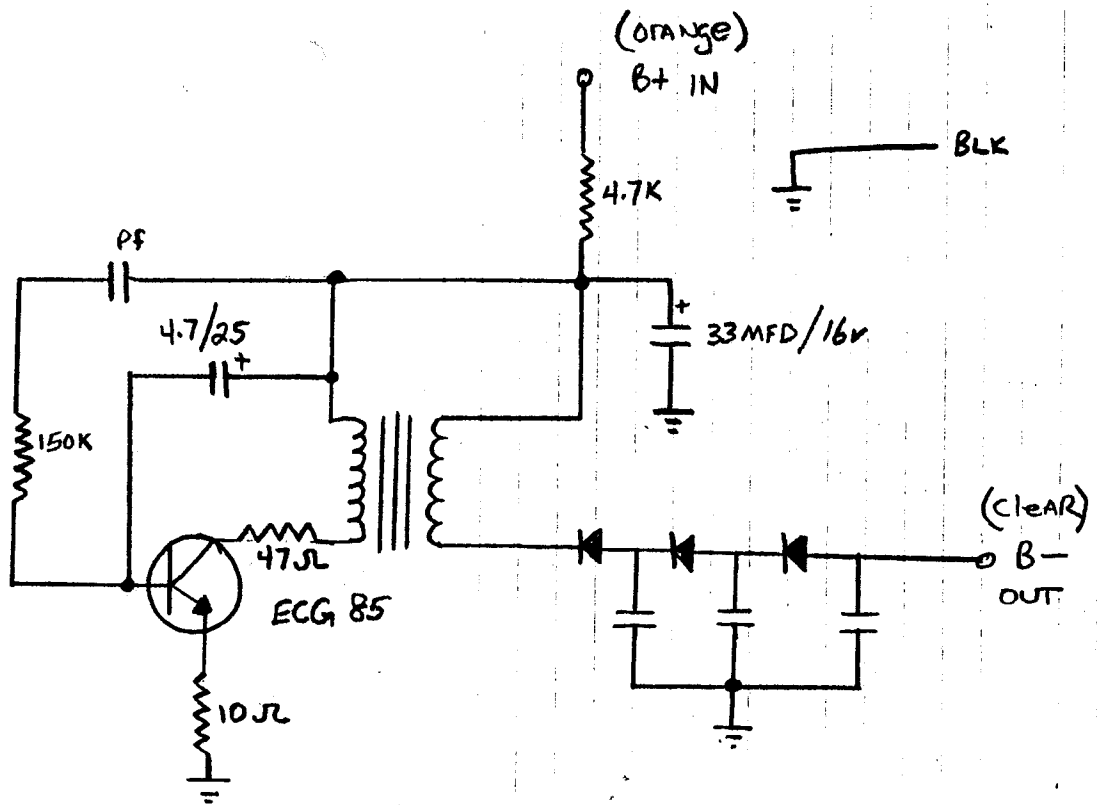
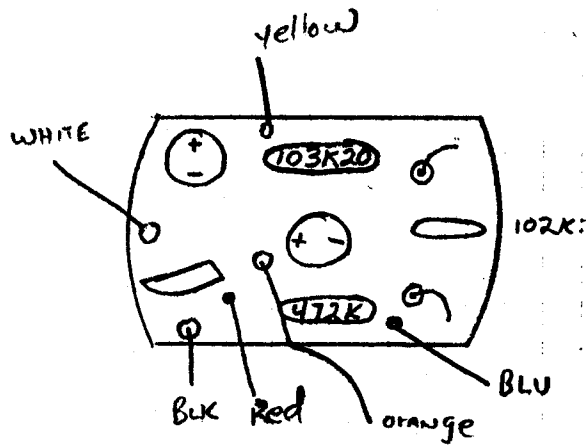
SCHEMATIC AND MOUNTING DIAGRAMS
SCHEMATIC DIAGRAM



MOUNTING DIAGRAM
Head Amp Mounted Circuit Board

Terminal Mounted Circuit Board





SONY C-37P DC TO DC CONVERTER