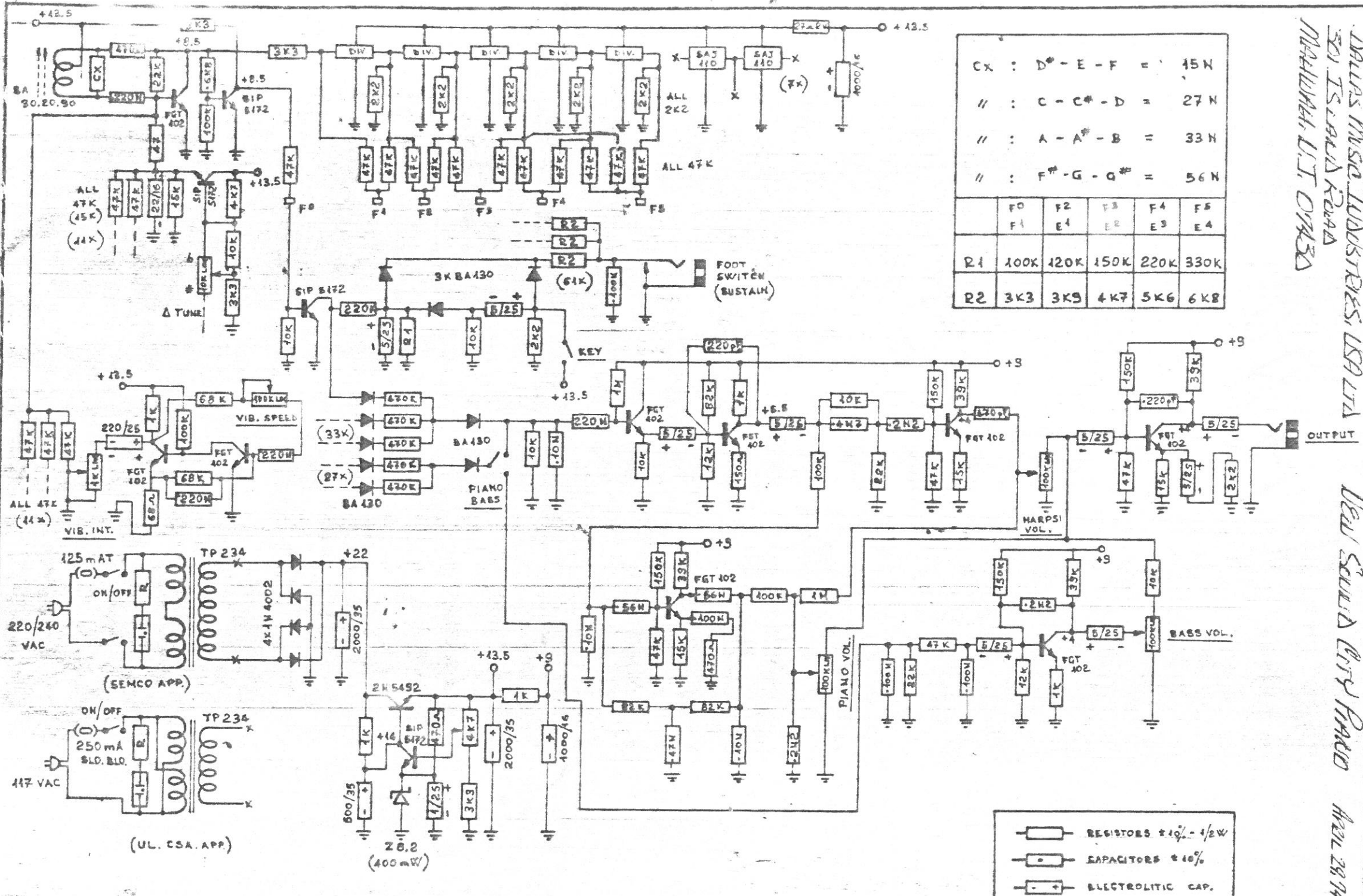


DALLAS MUSIC INDUSTRIES, USA LTD
 501 ISLAND ROAD
 NEWLAWN, U.T. 07430

NEW SOUND CITY PIANO

APRIL 20 1974



CX :	D [#] - E - F =	15N
// :	C - C [#] - D =	27N
// :	A - A [#] - B =	33N
// :	F [#] - G - G [#] =	56N

F0	F2	F3	F4	F5	
F1	E1	E2	E3	E4	
R1	100K	120K	150K	220K	330K
R2	3K3	3K9	4K7	5K6	6K8

- RESISTORS ±1% - 1/2W
- CAPACITORS ±10%
- ELECTROLYTIC CAP.