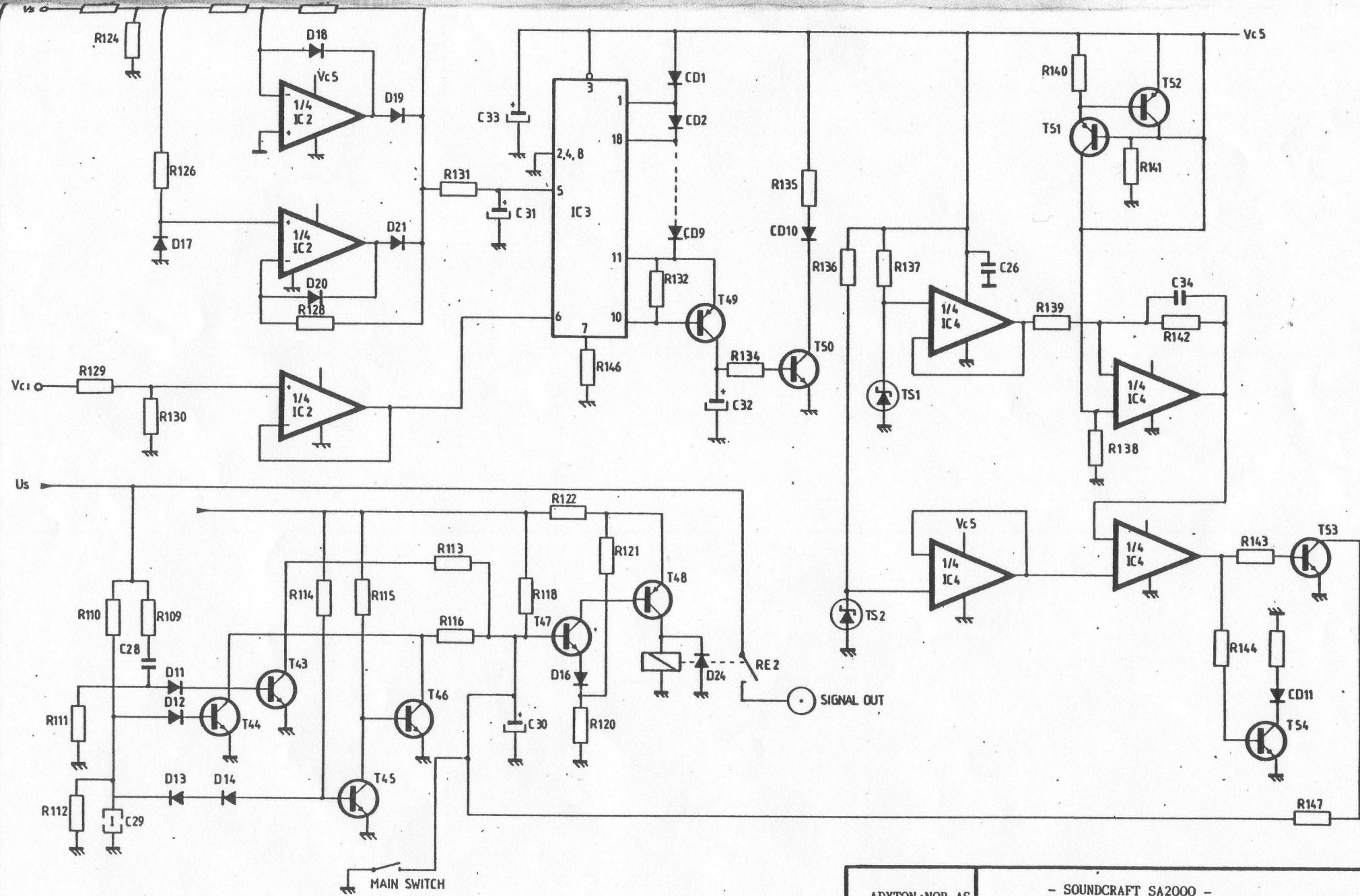
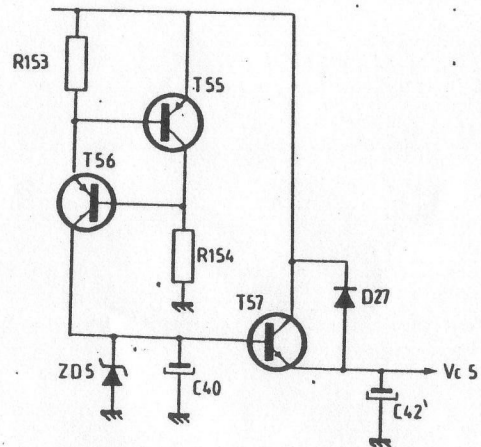
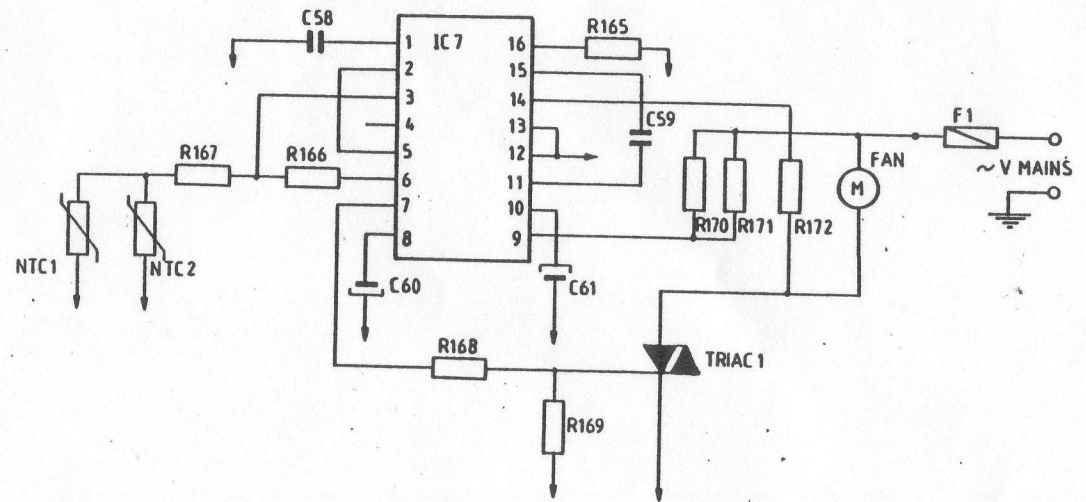
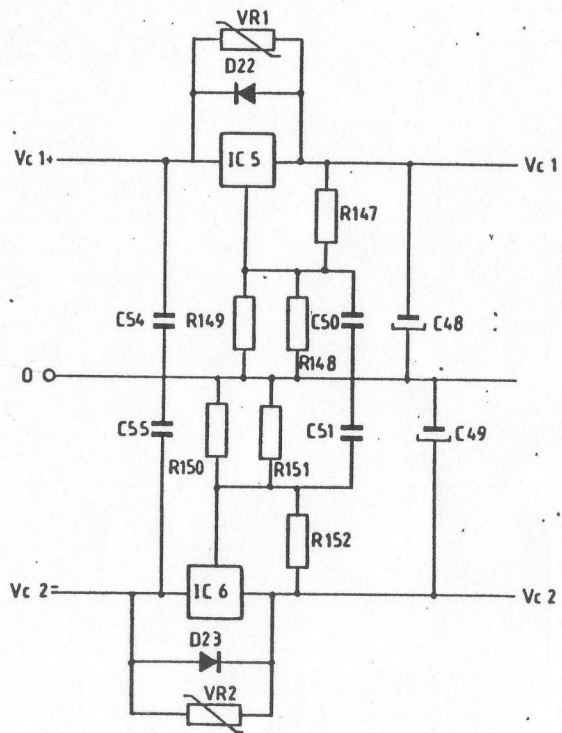


ADYTON NOR AS		-SOUNDCRAFT SA2000 -		
CH B AMPLIFIER CIRCUITRY, MONO COUPL. CIRCUITRY				
DRAWN	18.06.83 SH.	SYST. Design:	DRAW No 782001	PAGE 5 (5)
CHECKED	20.07.84	APPROVED	FILE REF.	



ADYTON · NOR AS		- SOUNDCRAFT SA2000 -			
		LED METER, PROTECTION CIRCUITRY			
DRAWN	18.06.83S.H.	SYST.	DRAW. No	PAGE	FILE REF.
CHECKED	20.07.84	Design:	782001	4 (5)	
APPROVED					



ADYTON NOR AS		- SOUNDCRAFT SA2000 -		
		VOLTAGE REGULATORS, FAN CONTROLLER		
DRAWN	18.06.83 S.H.	SYST. Design:	DRAW No 782001	PAGE 3 (5)
CHECKED	20.07.84			FILE REF.
APPROVED				