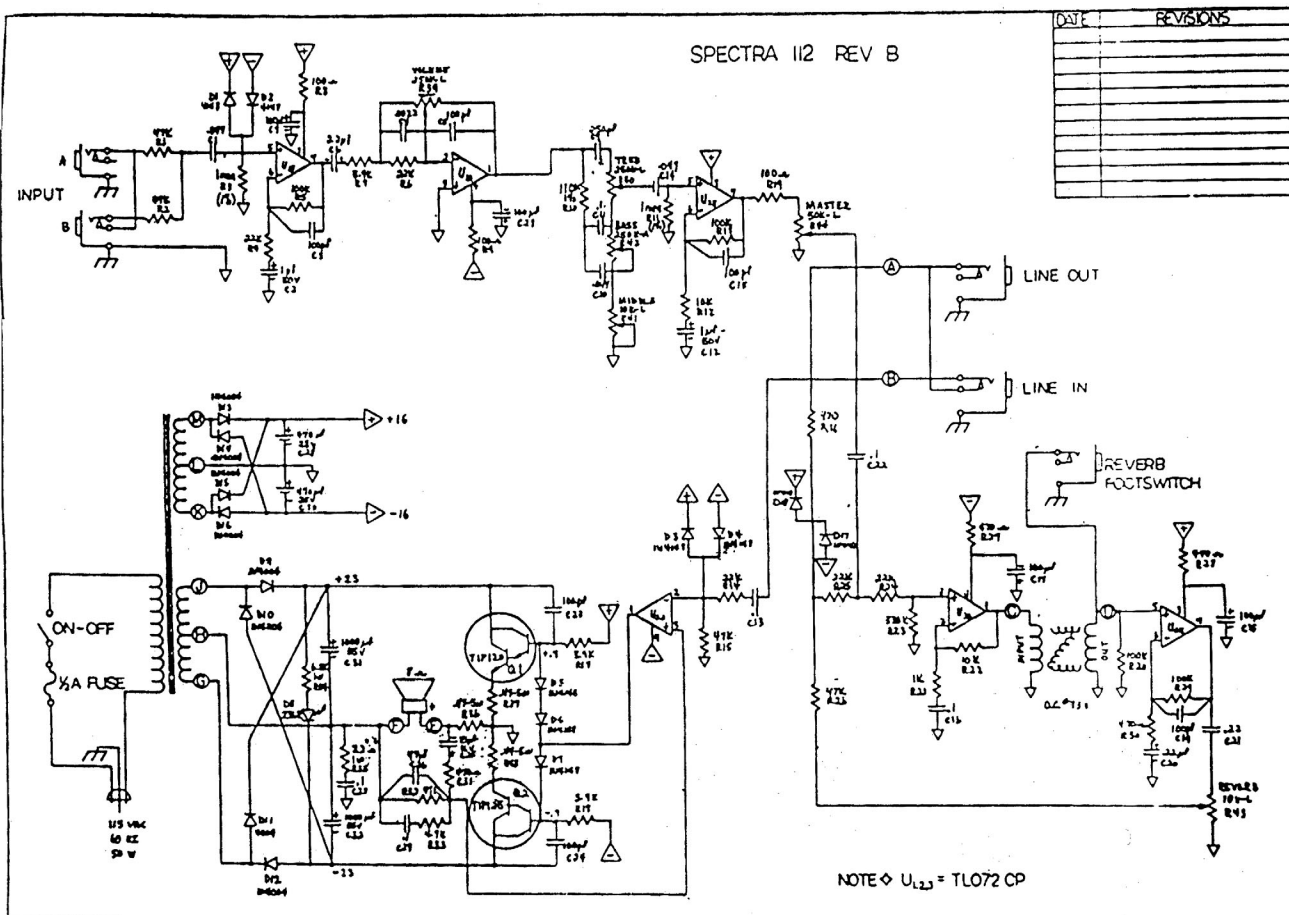


SPECTRA II2 REV B

DATE	REVISIONS



NOTE \diamond U_{1,2,3} = TL072 CP

11/72 JLF