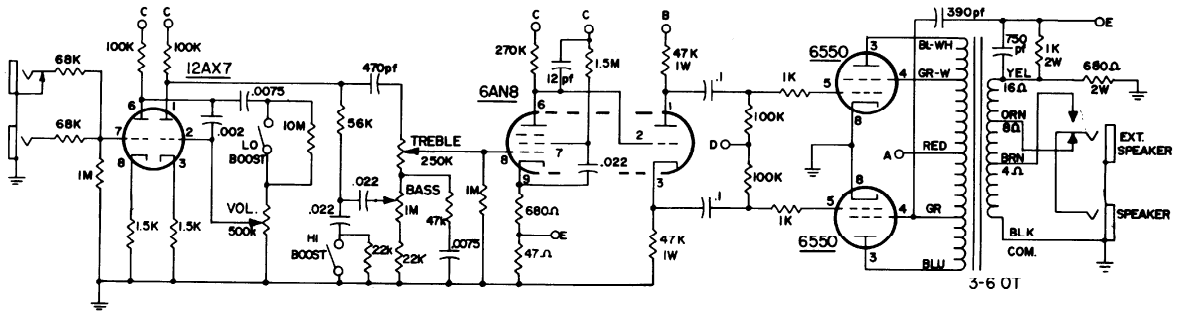
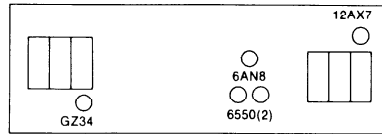




100S⁺ Spectrum II**

+ 100S: Without reverb/vibrato.
Before 10-1-67.
One J.B.L. D130F, one LE100S
driver with H5040 horn, in rear-
loading, folded horn enclosure.
N1200S or N1200 crossover
network.

**Spectrum II: Discontinued
5-10-69.
Two J.B.L. D130F (J.B.L. D15S
after 3-1-69) in rear-loading, folded
horn enclosure.



NOTES:
RESISTORS 1/2W 10% UNLESS NOTED
CAPACITORS ARE MICROFARADS UNLESS NOTED

