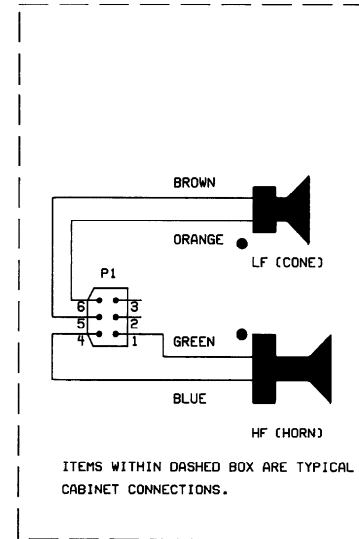
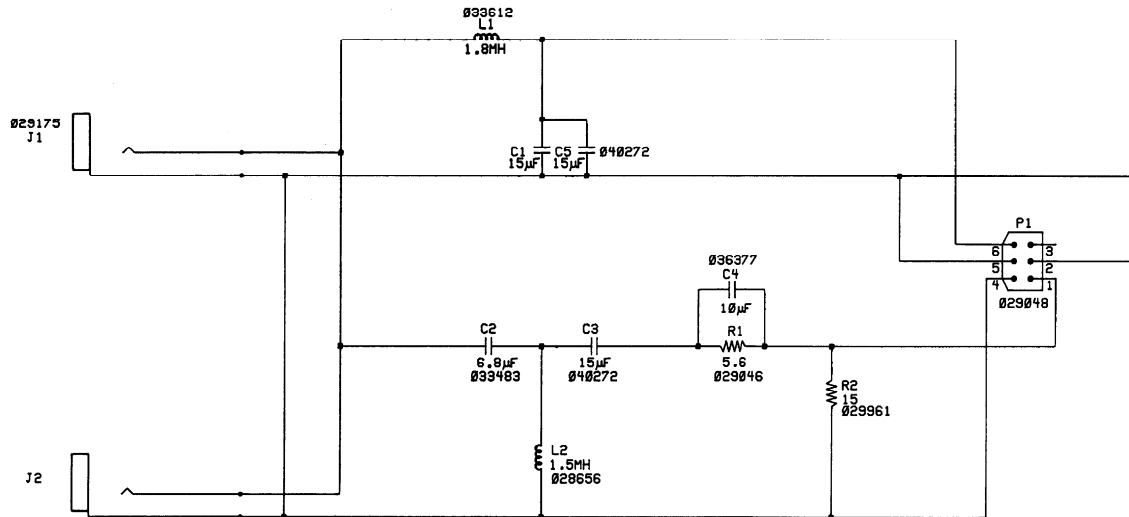


1211 CROSSOVER

Sunn

- NOTE:
1. ALL RESISTORS ARE 22 WATT UNLESS OTHERWISE SPECIFIED.
 2. ALL CAPACITORS ARE 100V POLYESTER FILM.
 3. 6-DIGIT NUMBERS ARE FENDER PART NUMBERS

REVISIONS				
ZONE	REV.	DESCRIPTION	DATE	APPROVED
	A	RELEASED, PR#121	8-2-89	
	B	EC 885	10-26-92	



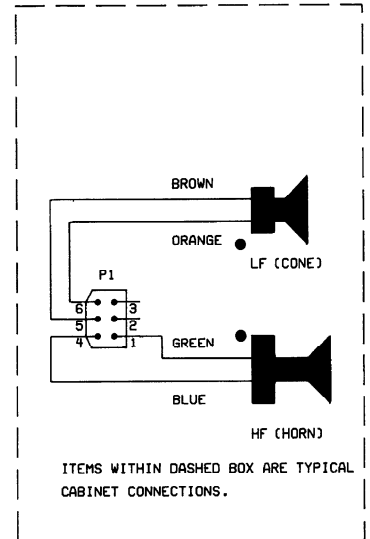
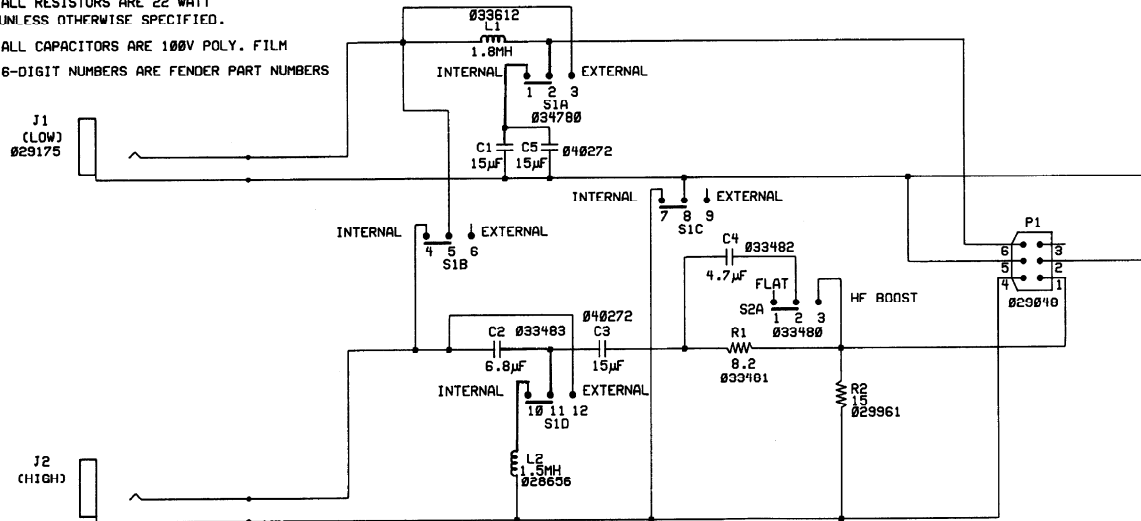
REF. DES.	ITEM	QTY	PART NO.	DESCRIPTION
DATABASE FILE:		FXOVER5		PROPRIETARY
CHECKED BY: <u>UK</u>		<small>THIS DRAWING DOCUMENT CONTAINS INFORMATION WHICH IS PROPRIETARY TO AND IS THE PROPERTY OF THE FENDER MUSICAL INSTRUMENT CO. AND MAY NOT BE USED, REPRODUCED OR DISCLOSED IN ANY MANNER WITHOUT THE EXPRESSED WRITTEN CONSENT FROM:</small> FENDER MUSICAL INSTRUMENT CO. 1130 COLUMBIA STREET BREAS, CA. 92621		
DATE: <u>10/27/82</u>				
APPROVED: <u>UK</u>		TITLE: SCHEMATIC, CROSSOVER, SUNN 1211. FENDER 2825 1291C1		
DATE: <u>10/27/82</u>				
TOLERANCES: UNLESS OTHERWISE NOTED		SIZE: DRAWN: W. HUGHES DRAWING NUMBER: 034776 REV.: B ENGR: W. HUGHES		
X.X	±0.050"	SCALE: NONE DATE: 6-22-89 SHEET 1 OF 1		
X.XX	±0.010"			
X.XXX	±0.005"			
ANGLES	±0.500°			

1225 CROSSOVER

Sunn

NOTE:

1. JACKS J1, AND J2 ARE CONNECTED IN PARALLEL IN THE INTERNAL MODE, AND ARE ISOLATED IN THE EXTERNAL MODE.
2. "INTERNAL" AND "EXTERNAL" PERTAINS TO USE OF THE INTERNAL PASSIVE CROSSOVER NETWORK OR USE OF AN OPTIONAL EXTERNAL ACTIVE CROSSOVER NETWORK.
3. SWITCH S2B NOT USED.
4. ALL RESISTORS ARE 22 WATT UNLESS OTHERWISE SPECIFIED.
5. ALL CAPACITORS ARE 100V POLY. FILM
6. 6-DIGIT NUMBERS ARE FENDER PART NUMBERS



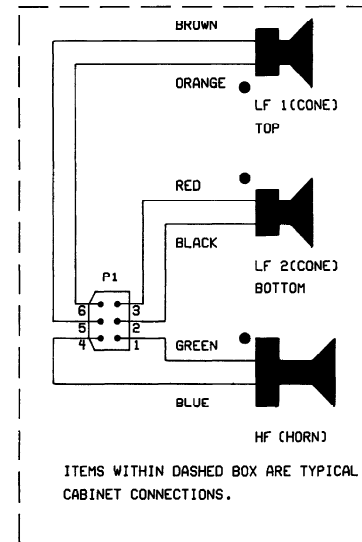
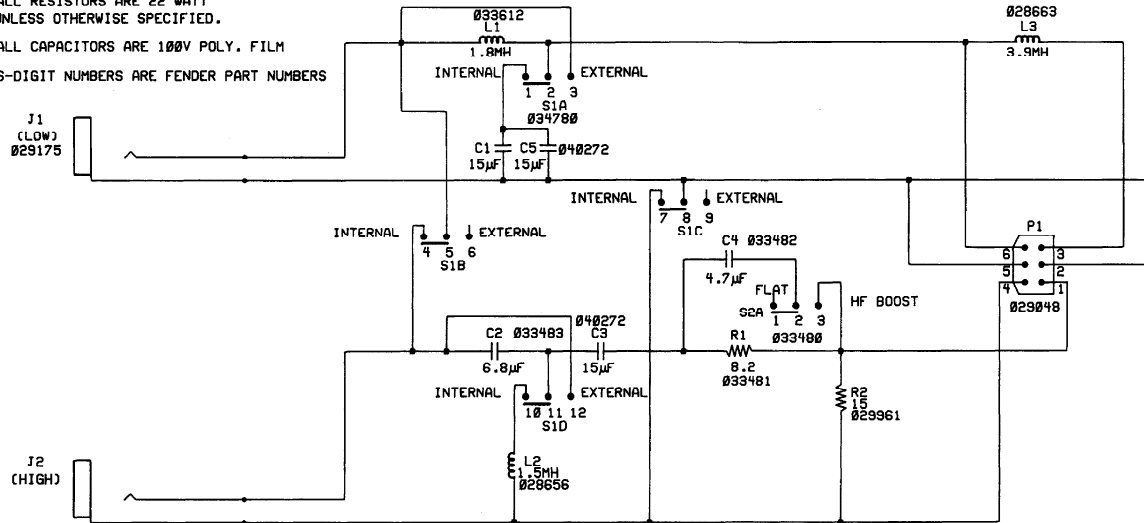
REVISIONS				
ZONE	REV.	DESCRIPTION	DATE	APPROVED
	A	RELEASED EC#477	6-22-89	
	B	EC 885	10-26-92	

REF. DES.	ITEM	QTY	PART NO.	DESCRIPTION
DATABASE FILE:			FXOVER3	PROPRIETARY
CHECKED BY:			UK	THIS DRAWING DOCUMENT CONTAINS INFORMATION WHICH IS PROPRIETARY TO AND IS THE PROPERTY OF THE FENDER MUSICAL INSTRUMENT CO. AND MAY NOT BE USED, REPRODUCED OR DISCLOSED IN ANY MANNER WITHOUT THE EXPRESSED WRITTEN CONSENT FROM: FENDER MUSICAL INSTRUMENT CO. 1130 COLUMBIA STREET BREA, CA. 92621
DATE:			10/27/92	
APPROVED:			LK	TITLE: SCHEMATIC, CROSSOVER, SUNN 1225.
DATE:			10/27/92	
TOLERANCES, UNLESS OTHERWISE NOTED:				
X.X	±0.050"			
X.XX	±0.010"			
X.XXX	±0.005"			
ANGLES	±0.500°			
SIZE			B	DRAWN: W. HUGHES ENGR: W. HUGHES
DRAWING NUMBER			033515	
REV.			B	
SCALE: NONE		DATE: 6-22-89	SHEET 1 OF 1	

1226 CROSSOVER

Sunn

- NOTE:
- JACKS J1, AND J2 ARE CONNECTED IN PARALLEL IN THE INTERNAL MODE, AND ARE ISOLATED IN THE EXTERNAL MODE
 - "INTERNAL" AND "EXTERNAL" PERTAINS TO USE OF THE INTERNAL PASSIVE CROSSOVER NETWORK OR USE OF AN OPTIONAL EXTERNAL ACTIVE CROSSOVER NETWORK.
 - SWITCH S2B NOT USED.
 - ALL RESISTORS ARE 22 WATT UNLESS OTHERWISE SPECIFIED.
 - ALL CAPACITORS ARE 100V POLY. FILM
 - 6-DIGIT NUMBERS ARE FENDER PART NUMBERS



REVISIONS				
ZONE	REV.	DESCRIPTION	DATE	APPROVED
	A	RELEASED EC#477	6-22-89	
	B	EC 885	10-26-92	

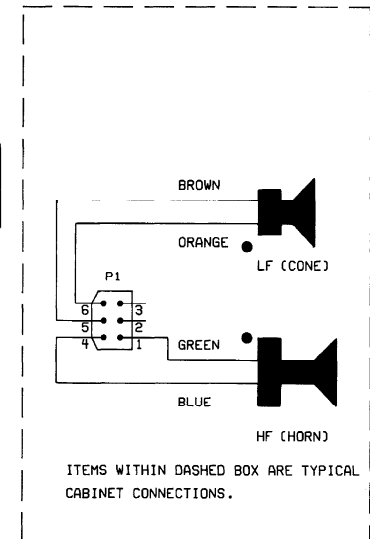
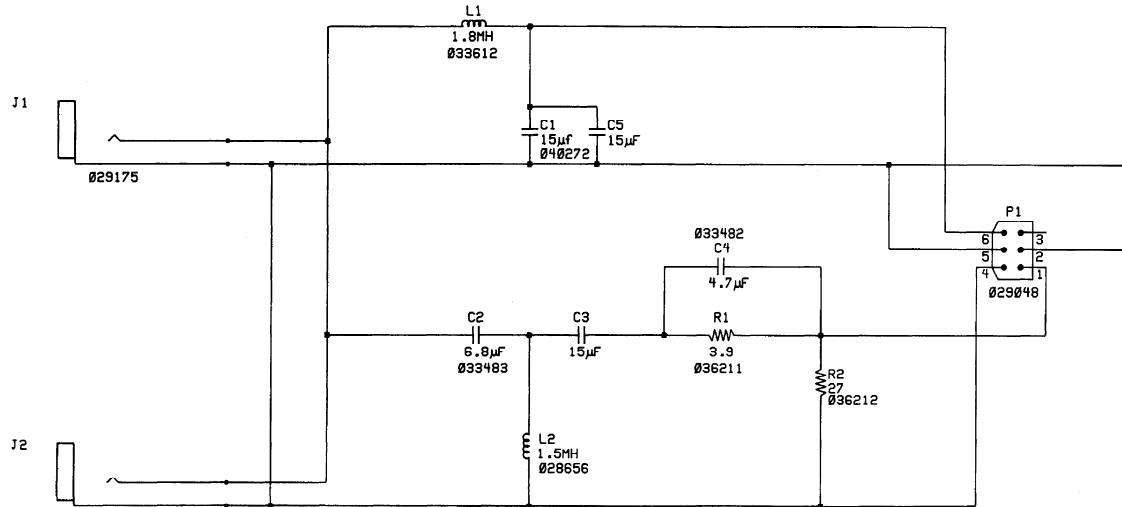
REF. DES.	ITEM QTY	PART NO.	DESCRIPTION								
DATABASE FILE: FXOVER4		PROPRIETARY	MUSICAL INSTRUMENTS 1130 Columbia Street Brea, Ca. 92621								
CHECKED BY: <i>LK</i>		THIS DRAWING DOCUMENT CONTAINS INFORMATION WHICH IS PROPRIETARY TO AND IS THE PROPERTY OF THE FENDER MUSICAL INSTRUMENT CO. AND MAY NOT BE USED, REPRODUCED OR DISCLOSED IN ANY MANNER WITHOUT THE EXPRESSED WRITTEN CONSENT FROM:									
DATE: 10/27/92											
APPROVED: <i>LK</i>											
DATE: 10/27/92		FENDER MUSICAL INSTRUMENT CO. 1130 COLUMBIA STREET BREA, CA. 92621	TITLE: SCHEMATIC, CROSSOVER, SUNN 1226.								
TOLERANCES: UNLESS OTHERWISE NOTED:		NEXT HIGHER ASSEMBLY:	<table border="1"> <tr> <td>SIZE</td> <td>DRAWN: W. HUGHES</td> <td>DRAWING NUMBER</td> <td>REV.</td> </tr> <tr> <td>B</td> <td>ENGR: W. HUGHES</td> <td>033518</td> <td>B</td> </tr> </table>	SIZE	DRAWN: W. HUGHES	DRAWING NUMBER	REV.	B	ENGR: W. HUGHES	033518	B
SIZE	DRAWN: W. HUGHES	DRAWING NUMBER	REV.								
B	ENGR: W. HUGHES	033518	B								
X.X	±0.050"		SCALE: NONE								
X.XX	±0.010"		DATE: 6-22-89								
X.XXX	±0.005"		SHEET 1 OF 1								
ANGLES	±0.500°										

1228 CROSSOVER

Sunn

- NOTE:
1. ALL RESISTORS ARE 22 WATT UNLESS OTHERWISE SPECIFIED.
 2. ALL CAPACITORS ARE 100V POLY. FILM
 3. 6-DIGIT NUMBERS ARE FENDER PART NUMBERS

REVISIONS				
ZONE	REV.	DESCRIPTION	DATE	APPROVED
	A	RELEASED, PR#134	9-28-89	
	B	EC 885	11-4-92	11/5/92



REF. DES.	ITEM	QTY	PART NO.	DESCRIPTION
DATABASE FILE:			FXOVER6	PROPRIETARY
CHECKED BY:			<i>PL</i>	<small>THIS DRAWING DOCUMENT CONTAINS INFORMATION WHICH IS PROPRIETARY TO AND IS THE PROPERTY OF THE FENDER MUSICAL INSTRUMENT CO. AND MAY NOT BE USED, REPRODUCED OR DISCLOSED IN ANY MANNER WITHOUT THE EXPRESSED WRITTEN CONSENT FROM:</small> FENDER MUSICAL INSTRUMENT CO. 1130 COLUMBIA STREET BREA, CA. 92621
DATE:			11/4/92	
APPROVED:			<i>LK</i>	FENDER MUSICAL INSTRUMENTS 1130 Columbia Street Brea, Ca. 92621
DATE:			11/5/92	
TOLERANCES UNLESS OTHERWISE NOTED:				
X.X			±0.050"	NEXT HIGHER ASSEMBLY:
X.XX			±0.010"	
X.XXX			±0.005"	
ANGLES			±0.500°	
SIZE		DRAWN: W. HUGHES		DRAWING NUMBER
B		ENGR: W. HUGHES		
SCALE: NONE		DATE: 9-28-89		REV. B
		SHEET 1		OF 1