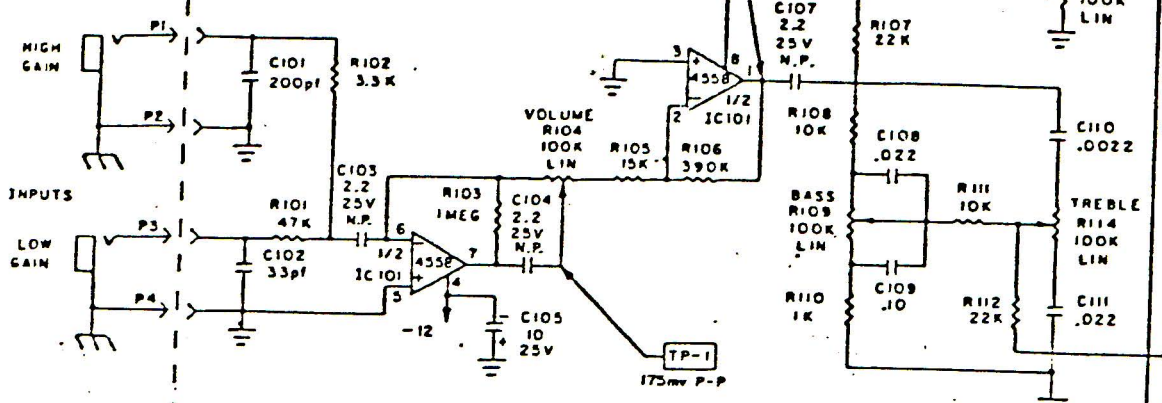
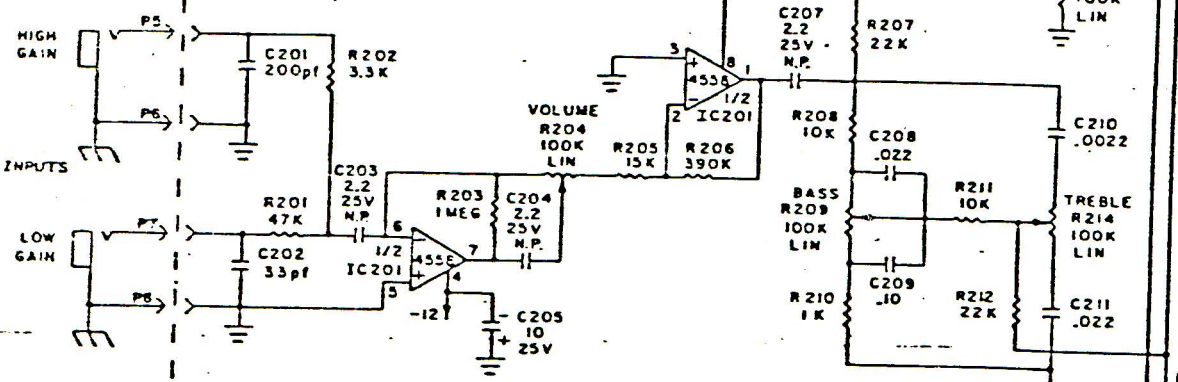


TP-3
1mv P-P

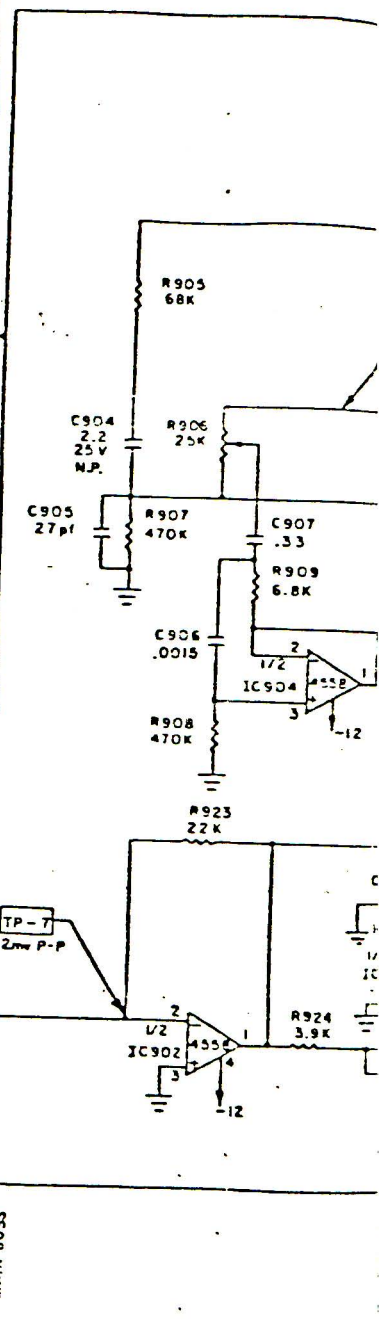
CHANNEL 1



CHANNEL 2



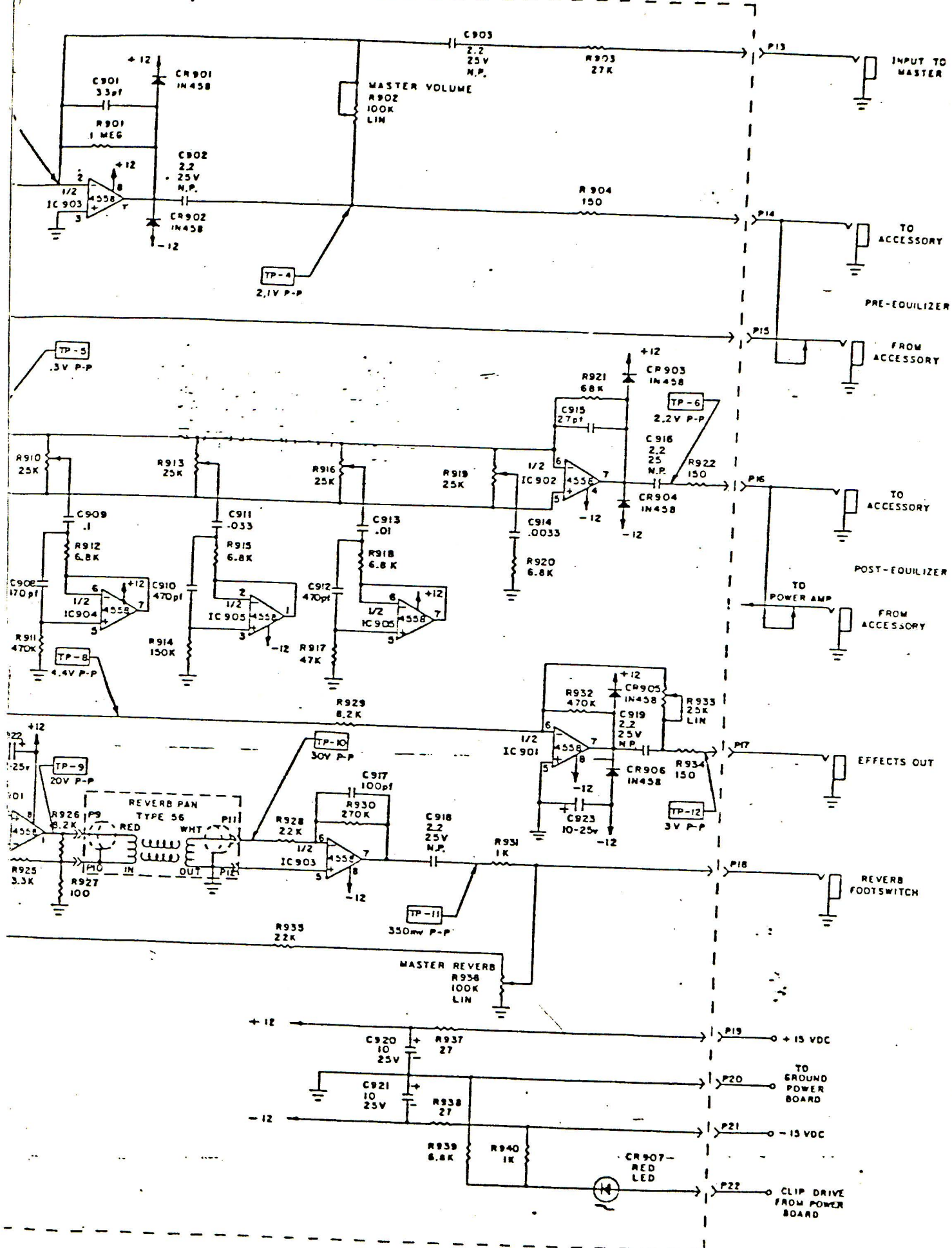
CHANNELS 3 THRU 8 NOT SHOWN

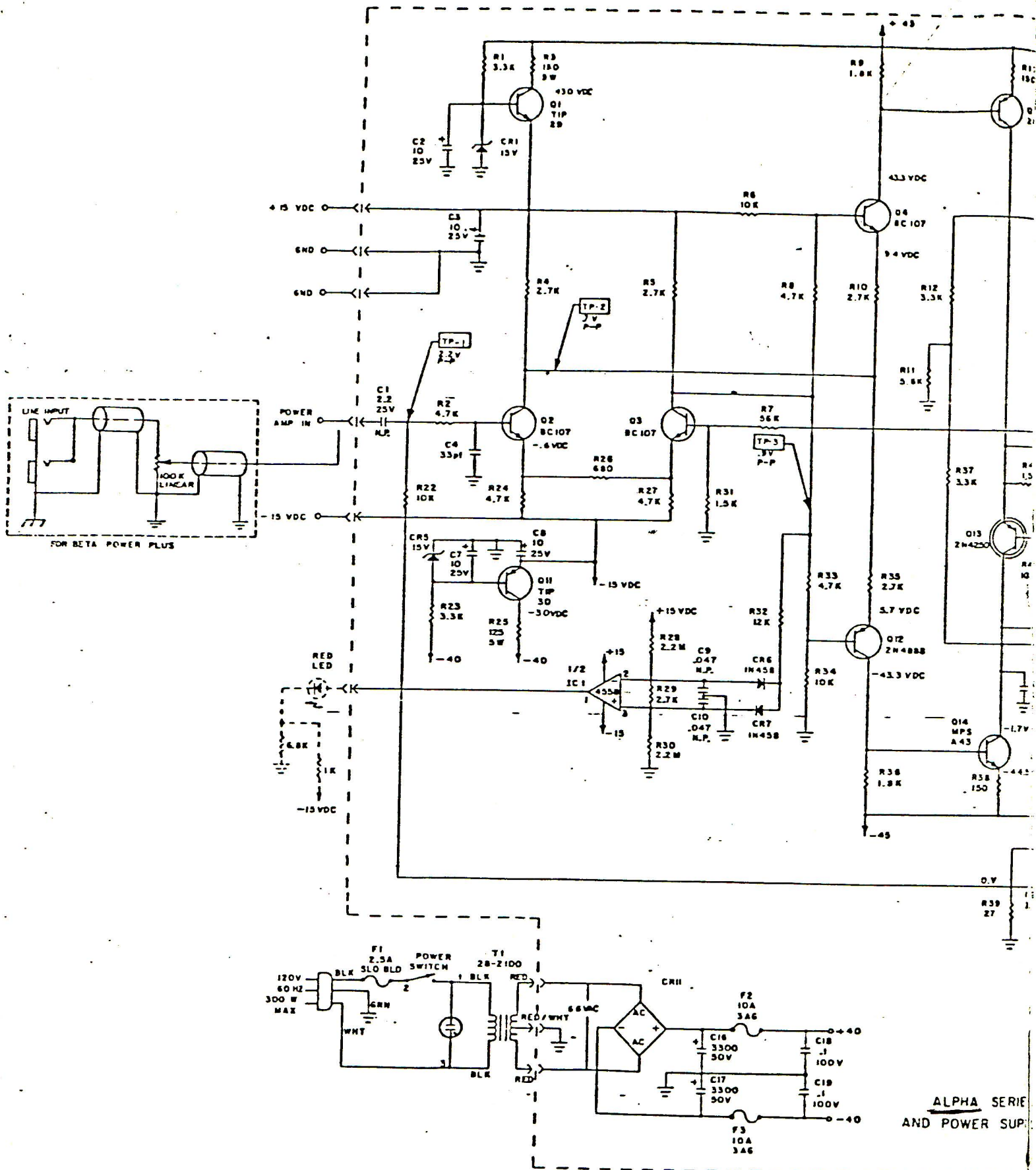


NOTES

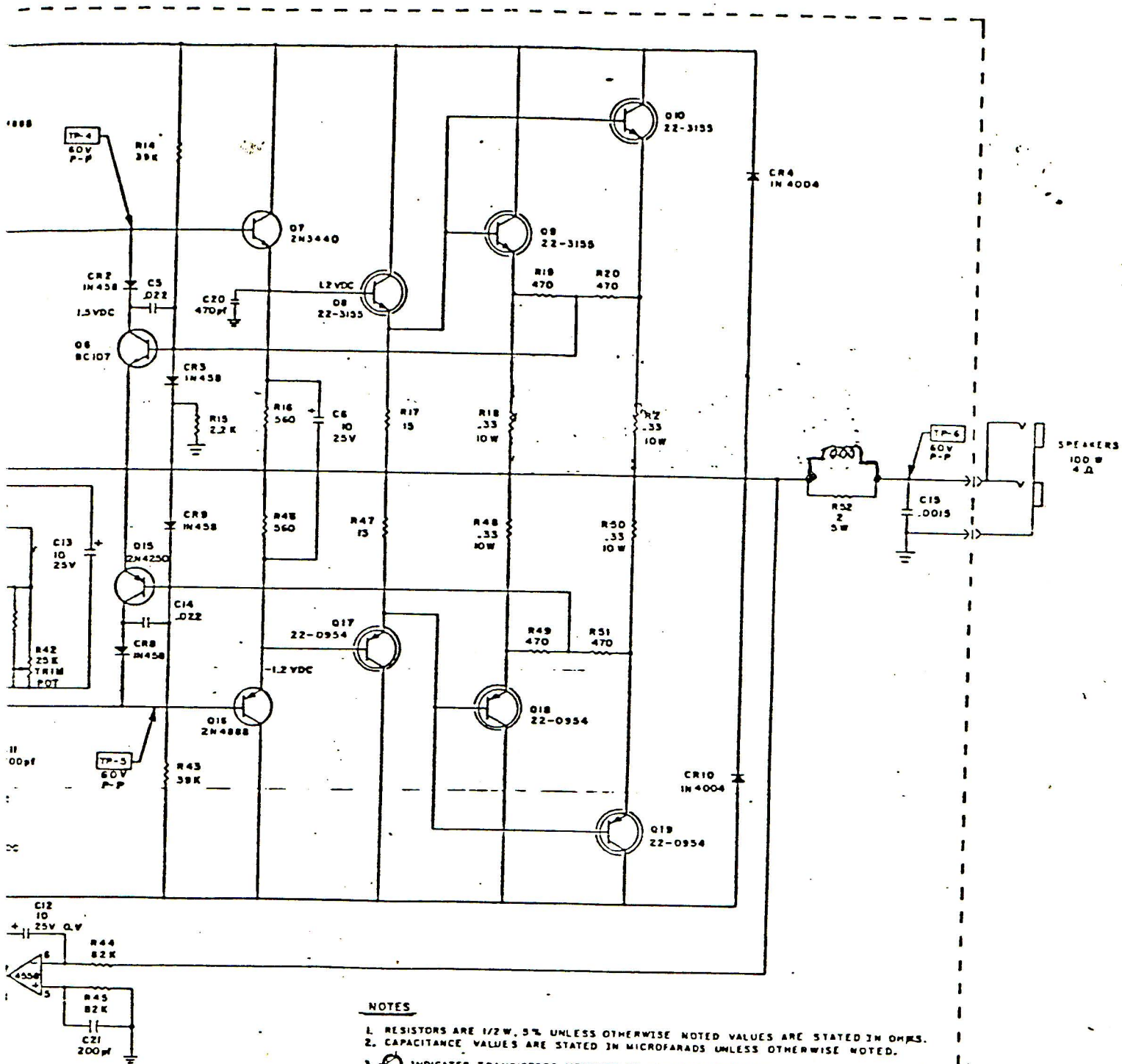
1. ALL RESISTORS ARE 1/2 W, 5% UNLESS OTHERWISE NOTED, VALUES ARE STATED IN OHMS.
2. ALL CAPACITORS 10% UNLESS OTHERWISE NOTED, VALUES ARE STATED IN MICROFARADS.
3. TP-1 THRU TP-12 TAKEN WITH 6mv P-P at 1KHz APPLIED TO PREAMP INPUT, TONE CONTROLS at CENTER, REVERB EFFECTS at 5, MASTER REVERB OFF, EQUALIZER CONTROLS at CENTER, ALL OTHERS at MAXIMUM.

ALPHA 8 PRE-AMP & MASTER MIXER SCHEMATIC






ALPHA SERIES
AND POWER SUPPLY



NOTES

1. RESISTORS ARE 1/2W, 5% UNLESS OTHERWISE NOTED VALUES ARE STATED IN OHMS.
2. CAPACITANCE VALUES ARE STATED IN MICROFARADS UNLESS OTHERWISE NOTED.
3.  INDICATES TRANSISTORS MOUNTED TO HEATSINK ASSEMBLY.
4. DC VOLTAGES TAKEN WITHOUT LOAD AND WITHOUT INPUT.
5. IDLE CURRENT 90mA WITHOUT LOAD.

POWER AMPLIFIER
 Y SCHEMATIC
 D-1092 A